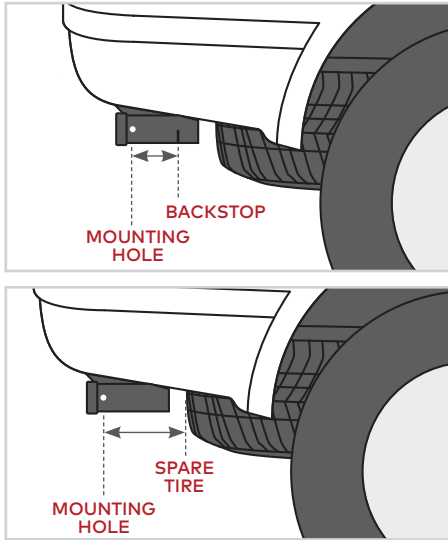


HITCH FIT MEASUREMENT

Using the table chart, compare measurements to see which hitch racks will work with a specific vehicle. Measurement must be equal to or greater than the product measurement listed.

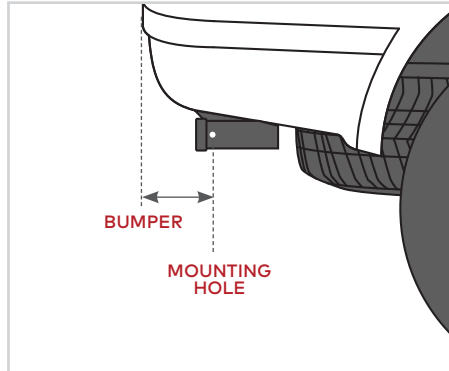
FIT MEASUREMENT A

With a ruler inserted in the receiver, measure from the center of the hitch mounting hole to the point where you make contact with an obstacle.



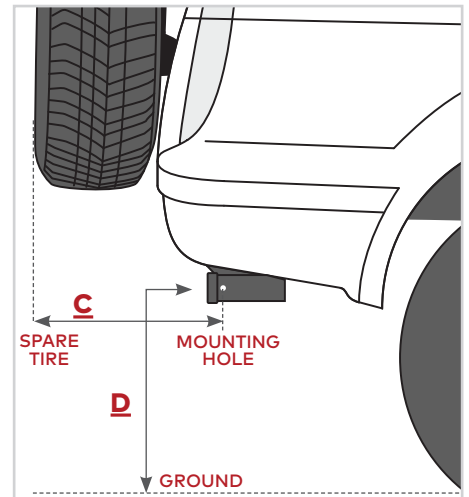
FIT MEASUREMENT B

Make sure the bumper will not interfere with the Yakima hitch rack. Measure the distance from the center of the mounting hole on the hitch to the end of the bumper.



FIT MEASUREMENT C

A trunk-mounted spare tire, it may interfere with the installation of the hitch rack. Measure the distance from the center of the mounting hole on the hitch receiver to the end of the spare tire.



FIT MEASUREMENT D

Measurement is the distance from the receiver pinhole to the ground.

HITCH RACK	FIT MEASUREMENT				CLASS		
	A	B	C	D	1.25" (32mm) with backstop	1.25" (32mm) without backstop	2"
BackSwing	73mm Min.	152mm Max.	254mm Max.				✓
DoubleDown	51mm Min.	232mm Max.	229mm Max.		◆	✓	✓
Dr.Tray 2"	73mm Min.	165mm Max.	229mm Max.				✓
FourTimer	70mm Min.	340mm Max.	368mm Max.				✓
FullSwing	76mm Min.	222mm Max.	171mm Max.				✓
FullTilt 4/5	35mm Min.	241mm Max.	248mm Max.		◆	✓	✓
HangOver 4	76mm Min.	203mm Max.	330mm Max.	254mm Min.			✓
HangOver 6	76mm Min.	203mm Max.	330mm Max.	305mm Min.			✓
HoldUp 2"	73mm Min.	229mm Max.	248mm Max.				✓
HoldUp EVO 2"	76mm Min.	127mm Max.	216mm Max.				✓
LiteRider 3	70mm Min.	229mm Max.	229mm Max.		◆	✓	✓
LongHaul	79mm Min.	111mm Max.	114mm Max.				✓
SingleSpeed	41mm Min.	197mm Max.	305mm Max.		◆	✓	✓
TwoTimer	48mm Min.	318mm Max.	318mm Max.		◆	✓	✓