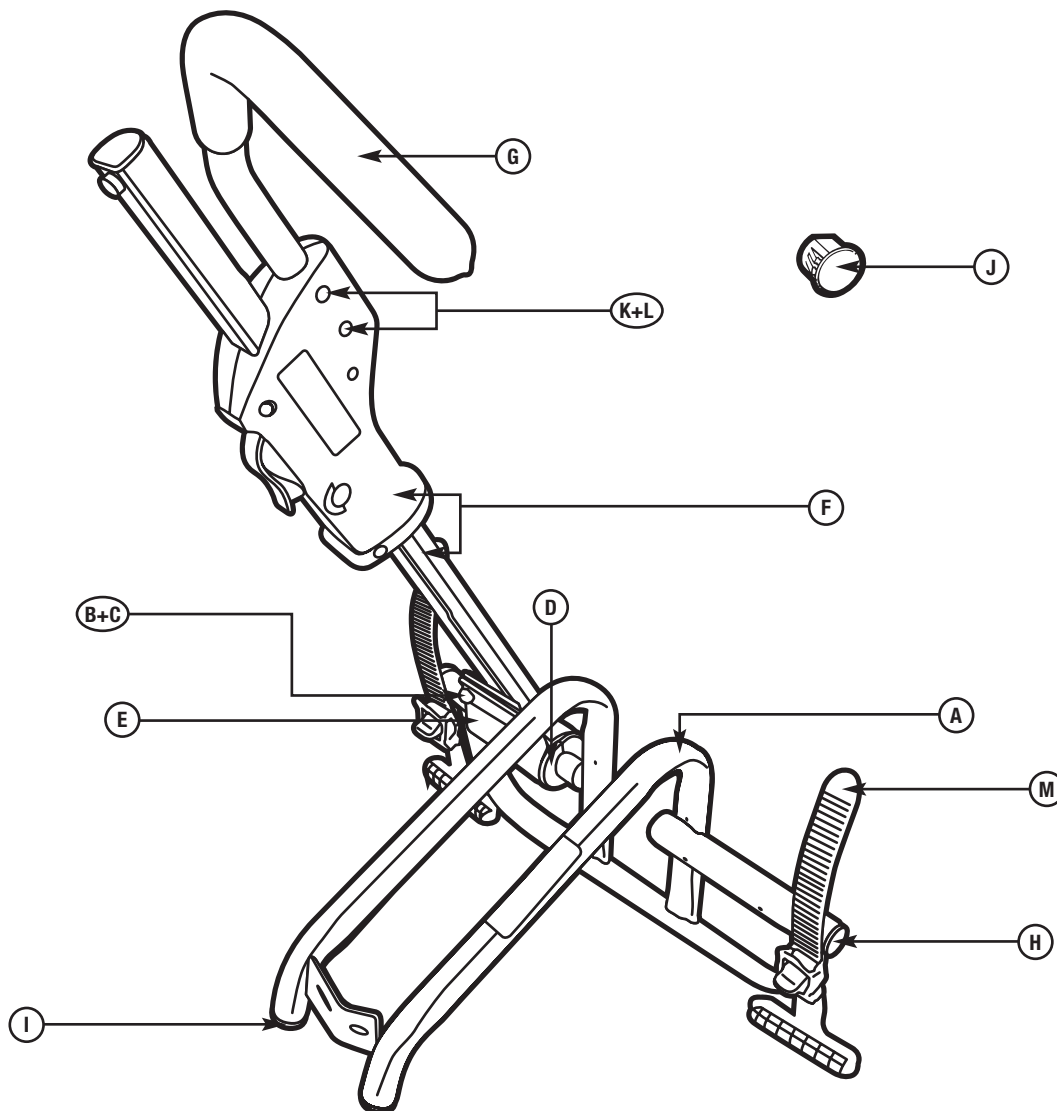


PARTS INCLUDED



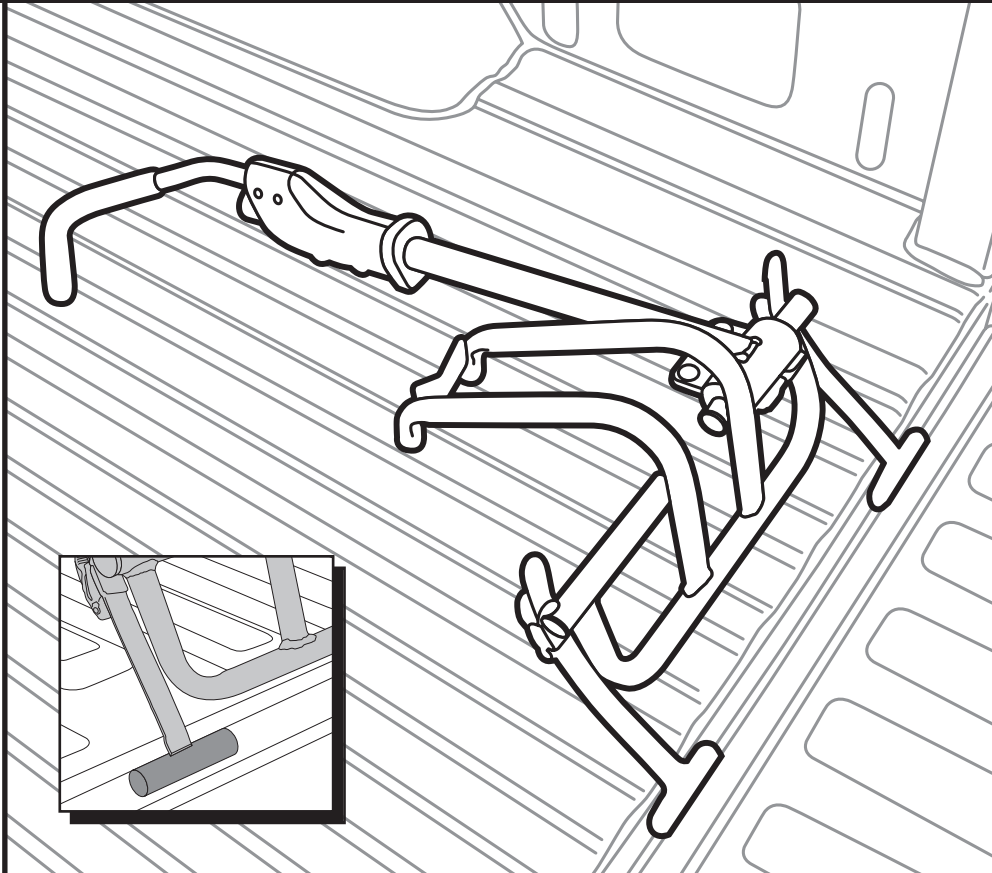
part	description	part number	qty.
A	501 frame /	753-3711	1
B	bolt M8 x 1.25 x 25mm /	853-5976	2
C	washer 8mm id 16mm od /	951-0816-11	2
D	rql arm bearing half /	853-5960	2
E	bearing clamp assembly /	753-3591	1
F	locking ratchet arm assembly /	753-3579	1
G	hook assembly for short ratchet arm /	753-3710	1
H	end cap /	853-1477	4
I	plastic tube plug bullet end /	853-1477-02	2
J	lock plug /	853-3160	2
K	screw phcs phillips 10-32 x 1.5 /	853-5972	2
L	locknut 10-32 nylon insert /	853-5973	2
M	strap molded /	853-7056	2

WARNINGS / LIMITATIONS

- Fits 20-29" Wheels up to 3" wide tires.
- Carries up to 50lbs. bikes.
- Do not use this product in any vehicle with a tailgate bed gap greater than ½"
- Ensure that front tire is fully inflated.
- Up to 3 Insta-Gaters can be used on tailgates 51" or greater.
- Up to 2 Insta-Gaters can be used on tailgates 34" or greater.
- **The Insta-Gater should not be used with bicycles having a head tube angle of less than 68°.**
- Check truck bed length to ensure bike fit.
- Check tightness of all bolts and knobs periodically.
- Not intended for off-road use.
- Check straps for wear and replace if worn.
- Not intended for tandems or recumbents.
- Do not install on a trailer or other towed vehicle.

1

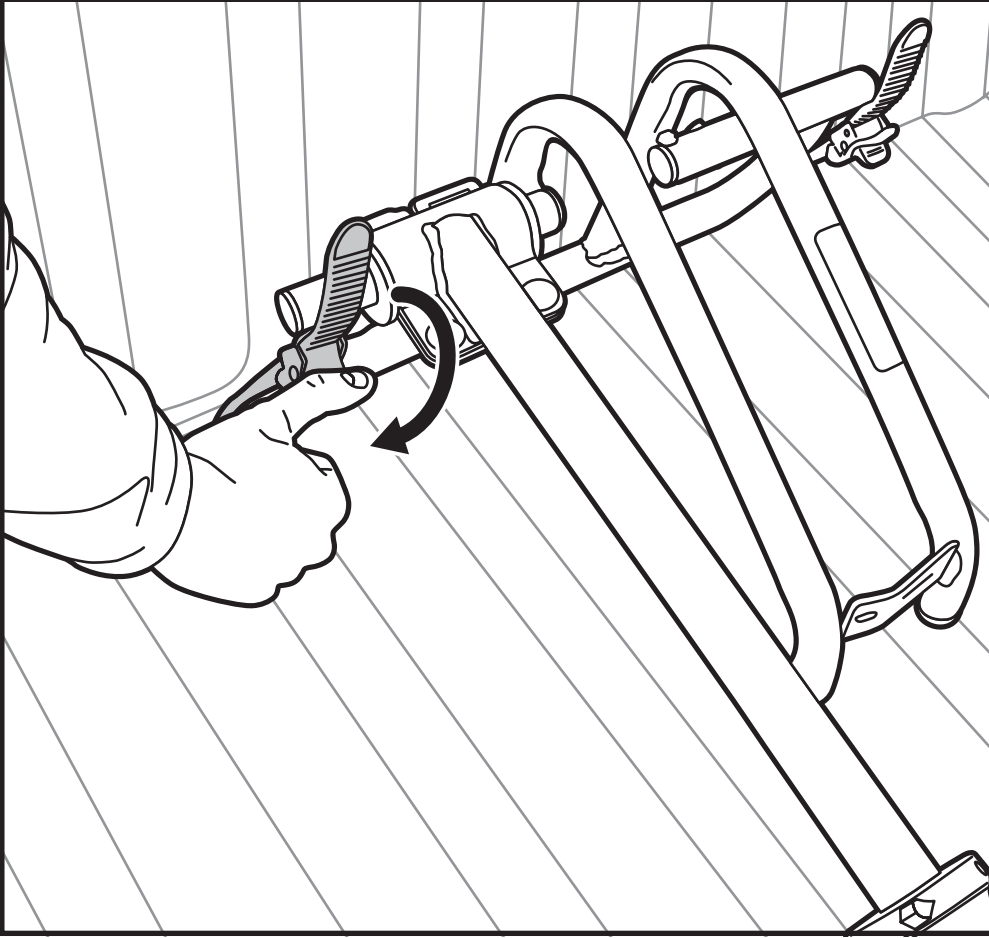
INSTALLATION



- Open the tailgate.
- Extend the straps by pressing the gray release tab on the buckle.
- Place the rack in the bed as shown with the anchors below the bed.
- Close the tailgate.

2

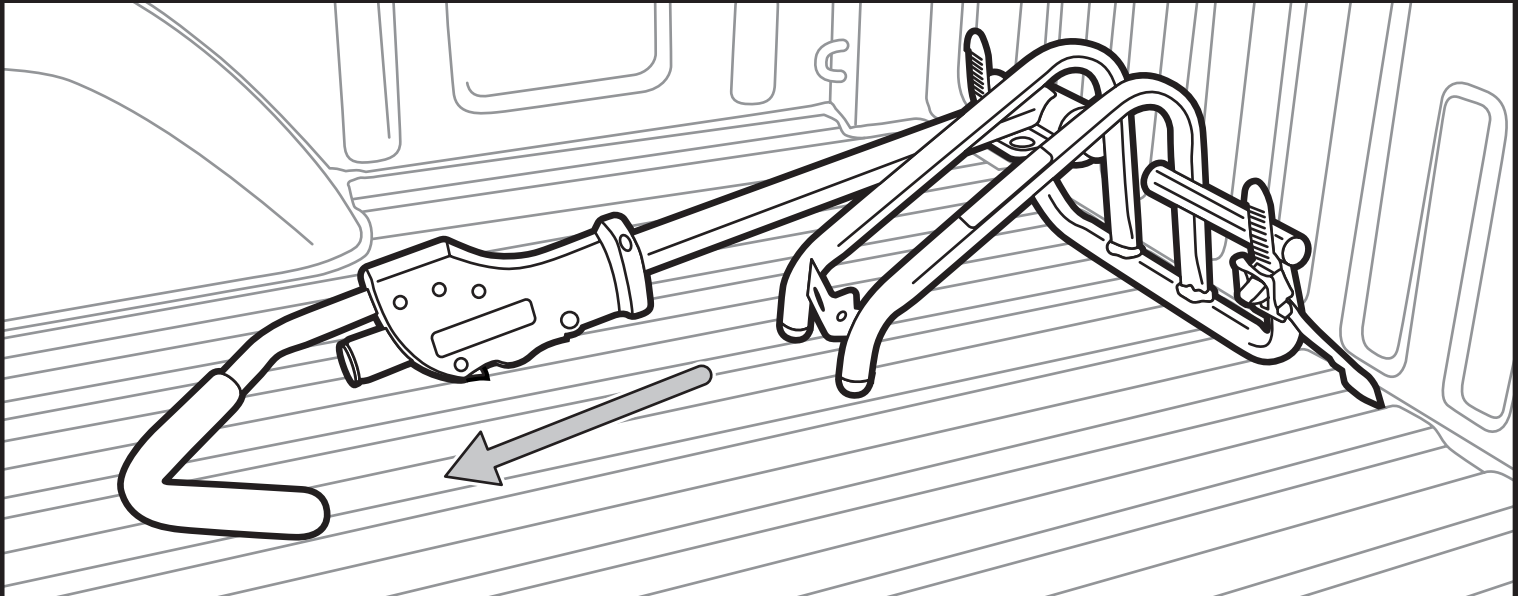
INSTALLATION /



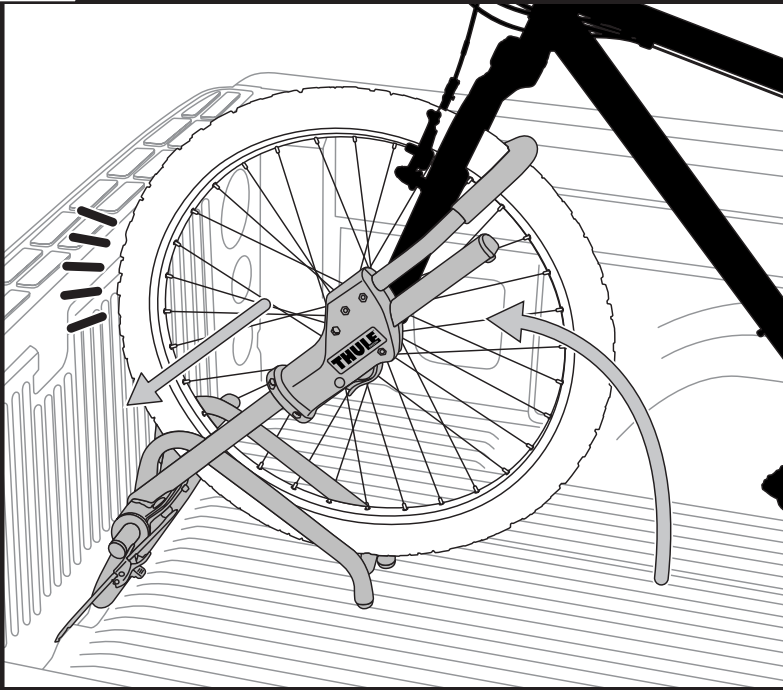
- Tighten straps by pushing the ratcheting buckle lever as shown.
- Push firmly to ensure both straps are seated and tight.

3

INSTALLATION /

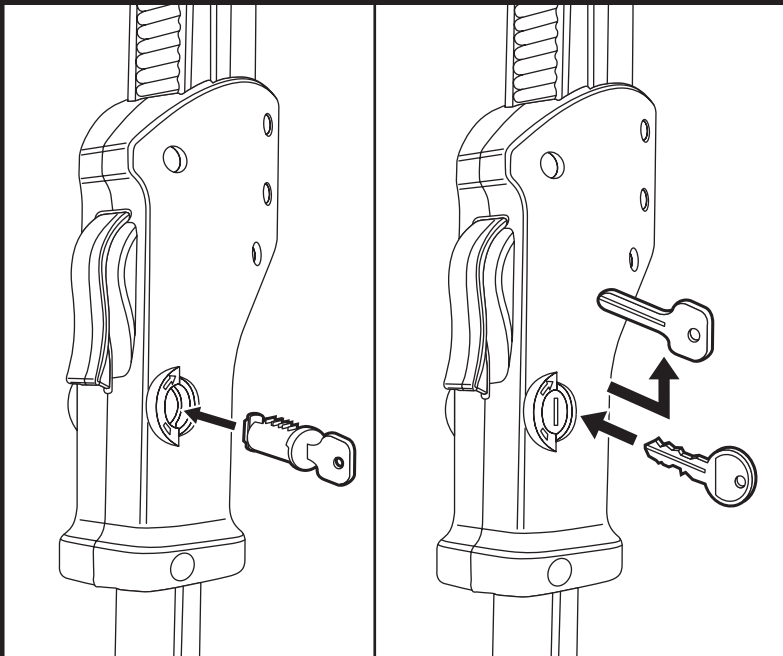


- Depress gray trigger and extend the hook arm to full open position.

4**INSTALLATION**

- Place the bicycles front wheel in the rack as shown with the tire against the tailgate.
- Rotate the hook arm up until it contacts the back of the fork.
- Ratchet the arm tightly against the wheel. You should hear a minimum of 2 clicks past initial contact with the tire.

WARNING: The support arm V-notch must be firmly seated against the tire and fork. Failure to do so may result in bike instability. Always shake your bike to ensure the hook is fully seated

5**LOCKING FEATURES: BIKE TO CARRIER (LOCKS SOLD SEPARATELY)**

- Insert change key into lock cylinder.
- Remove change key, insert key to lock and unlock.
- Insert lock plug on opposite side of grip, into the lock cylinder.

NOTE: This feature is only a theft deterrent. Best used with locking tailgate

WARNING: Ensure ratchet arm is fully engaged to bicycle wheel before locking.