



QUICK START GUIDE for:

APEX (4 BIKE CARRIER) 9025, APEX (5 BIKE CARRIER) 9026

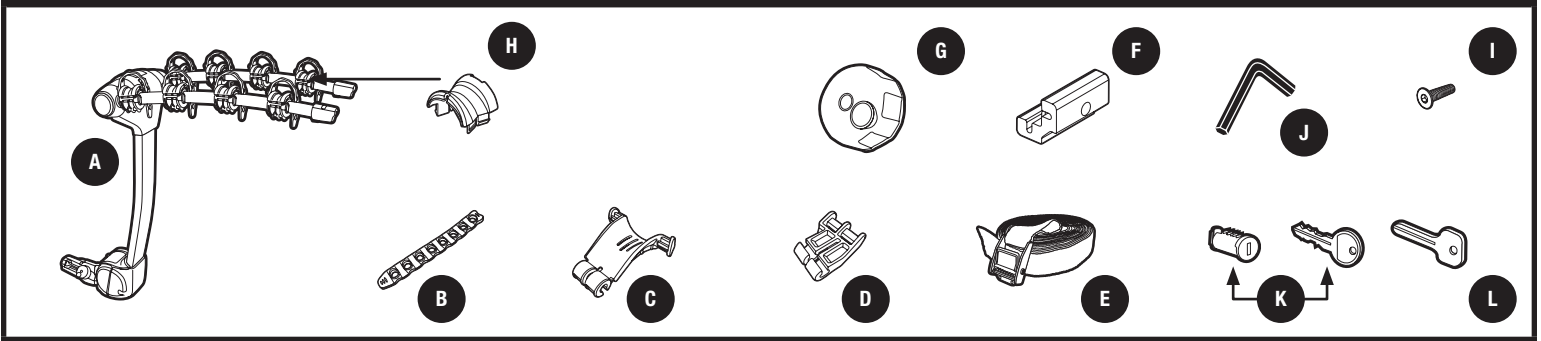
## DO

- Fold up stinger to 90 degrees. (STEP 1).
- Pull back on Auto Pin to engage in receiver hole. Use knob to tighten. Lock.
- Load heaviest bike first - front to the right (STEP 6).
- Alternate bike direction.
- Secure bicycle to rack with rubber straps and black safety strap through the frames and around the mast of the rack (STEP 8).
- Check tightness of all bolts and knobs periodically (every 6 months).
- Check rubber straps for wear and replace if worn.

## DO NOT

- Install on a trailer or other towed vehicle.
- Put more than 2 bikes on a class 1 hitch.
- Do not "overstretch" the straps.
- Use the rack while traveling on dirt roads.
- Use the rack to carry tandems or recumbents.
- Put more than the intended number of bikes on the rack.

**PARTS INCLUDED •**



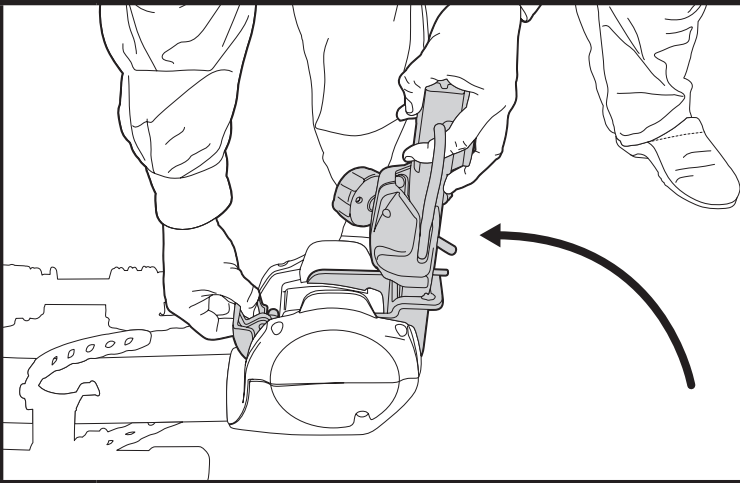
part	description	part number	9025 qty.	9026 qty.
A	Apex ( 4 bike carrier ) / Apex ( 5 bike carrier ) /	—	1	1
B	ripple strap /	8523006001	12	15
C	anti-sway with overmold /	8523037001	4	5
D	anti-sway angled extension /	8523108001	2	2
E	buckle strap /	753203017	1	1
F	Apex 2" hitch adapter /	8523185001	1	1
G	M8 lock knob /	753190902	1	1
H	cradle overmold /	8523503001	8	10
I	M8 X 30 flat head screw /	8523136001	2	2
J	hex key 5mm /	8530930	1	1
K	lock, 2 cylinders, 2 keys per each part /	—	—	—
L	lock cylinder change key /	8531251	1	1

**WARNINGS / LIMITATIONS**

- Number of bicycles should not exceed designated carrying capacity for your specific Apex™ model.
- Check tightness of all bolts and knobs periodically.
- Check straps for wear and replace if worn.
- Not intended for off-road use.
- Not intended for tandems or recumbents.
- Do not exceed weight per class of receiver  
class 1 = 2 bike  
class 2 and up = 4 or 5 bikes (150 lbs. max)
- Do not install on a trailer or other towed vehicle.
- Failure to use strap may result in loss of bicycles.

# 1

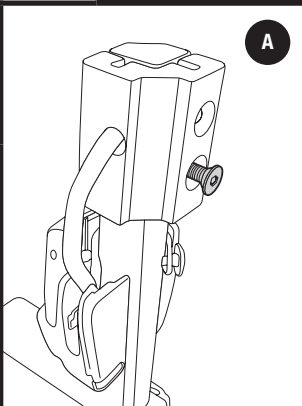
## SET UP /



- Pull up on lower Hitch Switch and rotate stinger perpendicular to mast.

# 2

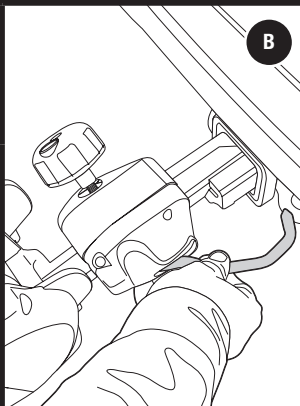
## STINGER INSTALLATION /



**A**

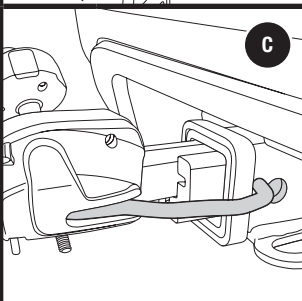
### FOR 2" RECEIVERS ATTACH 2" ADAPTER

- Using hex key attach adapter sleeve to stinger with two M8 x 30 flat head screws.



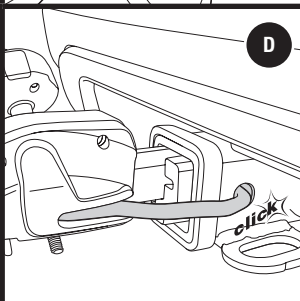
**B**

- Attach carrier to receiver by pulling back gently on Auto Pin while sliding stinger into receiver.



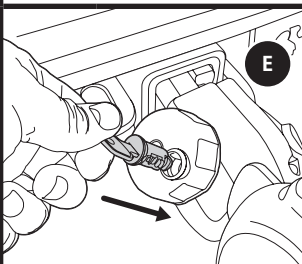
**C**

- Once Auto Pin clears receiver lip, release Auto Pin so that it rests against receiver.



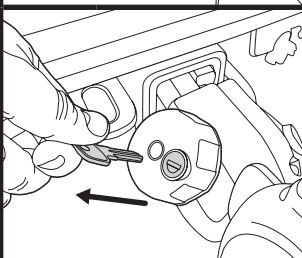
**D**

- Push carrier in until Auto Pin engages with the receiver hole as illustrated.

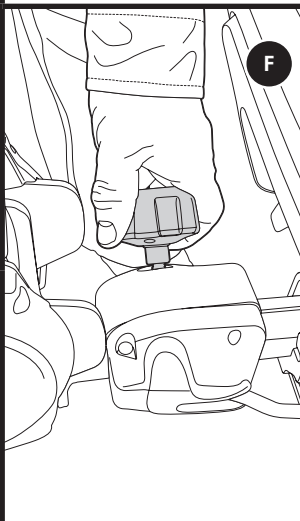


**E**

- Install lock cylinder into lock knob on stinger assembly with Change Key.



**NOTE:** Knob will not tighten fully without lock cylinder inserted.

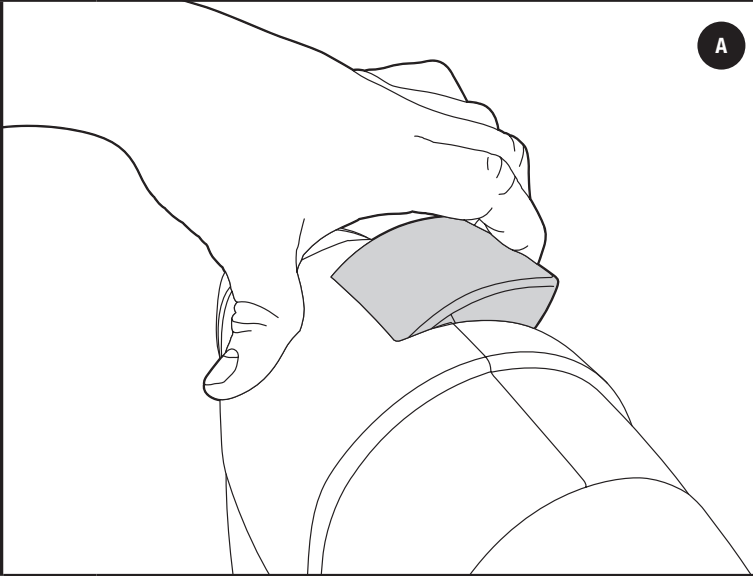


**F**

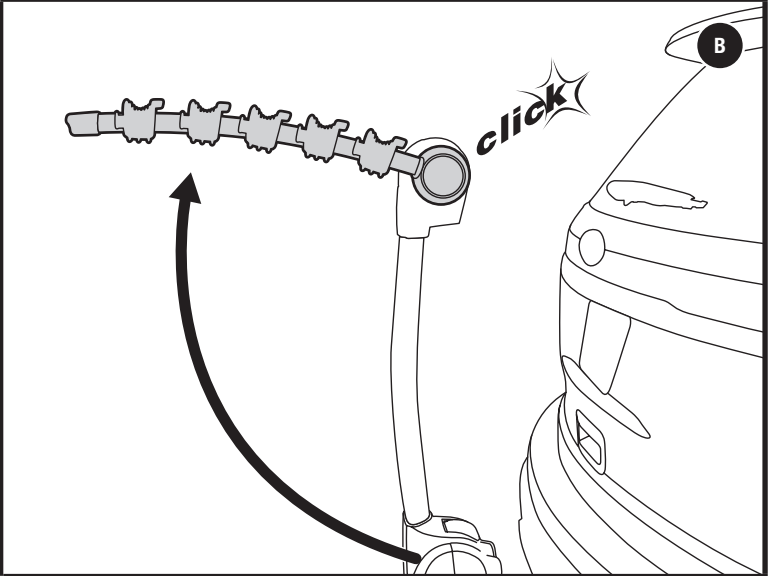
- Firmly tighten locking knob to secure carrier in receiver.

# 3

## BICYCLE TRANSPORTATION

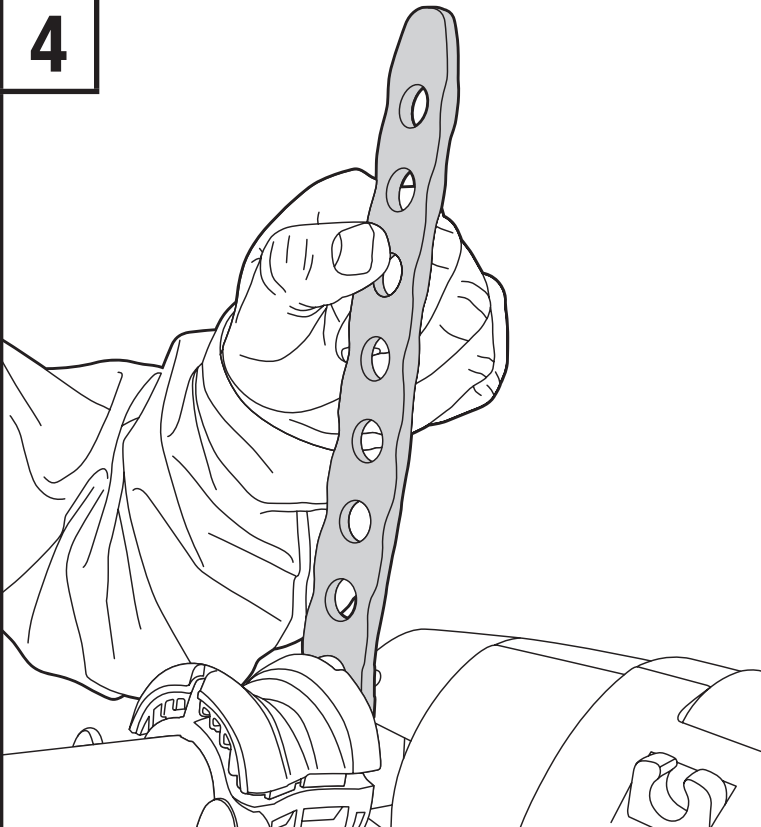


- Lift Hitch Switch Lever as illustrated.



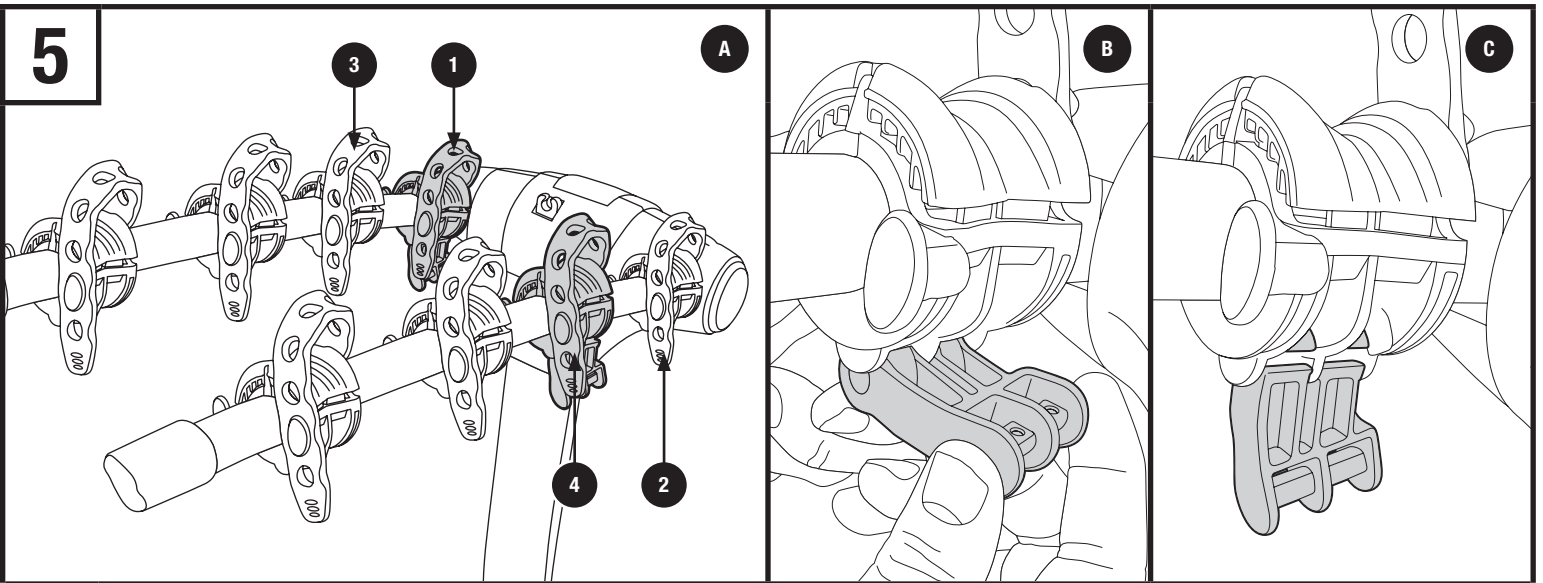
- With the other hand lift bike arm assembly upward until the Hitch Switch "clicks" into position.
- Reverse operation to store or when traveling with no bike attached.

# 4



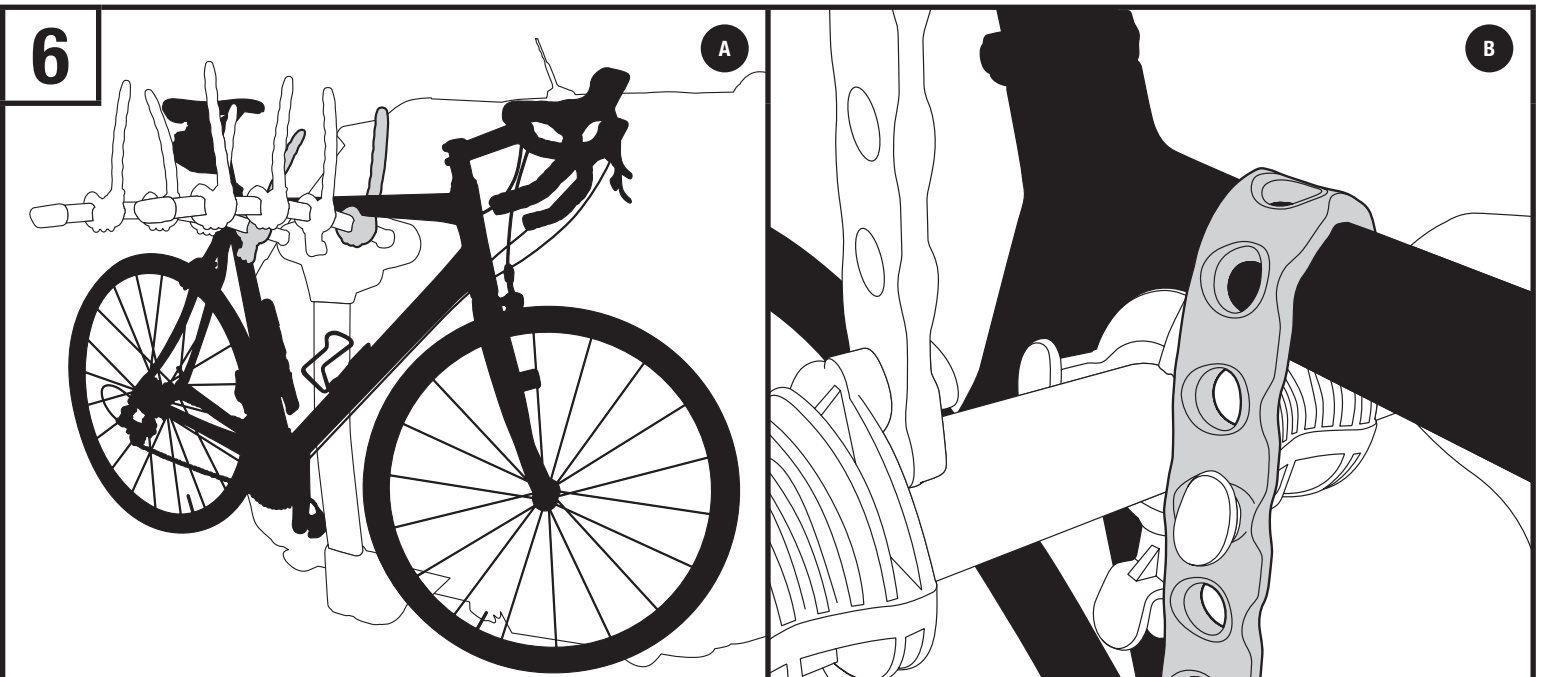
- Attach cradle strap to cradle.

5

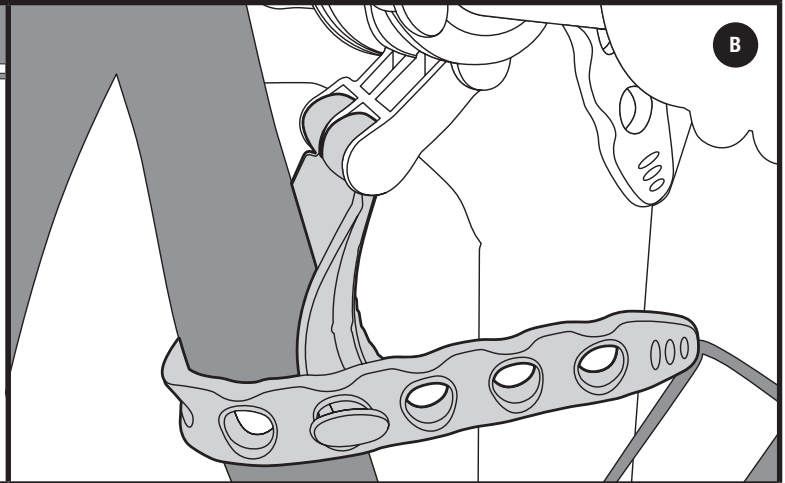
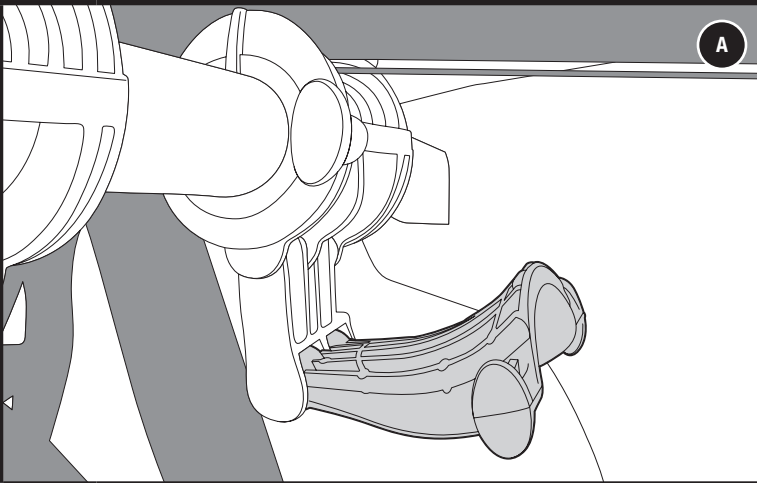


- Attach anti-sway angled extension to underside of cradles 1 and 4 as illustrated.

6

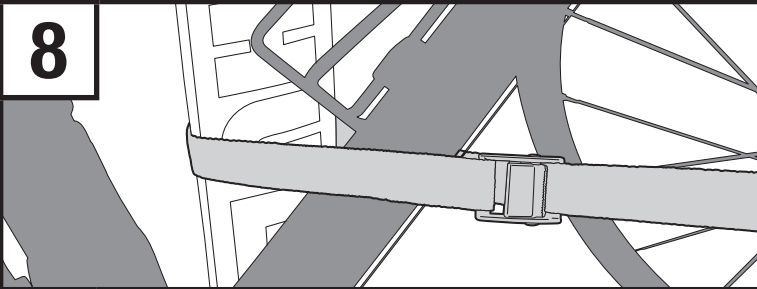


- Load heaviest bike first onto the inner most cradles - handle bars facing passenger side of vehicle.
- Fasten cradle straps.
- Use Thule Frame Adaptor (#982XT, sold separately) for bikes without traditional top tubes.

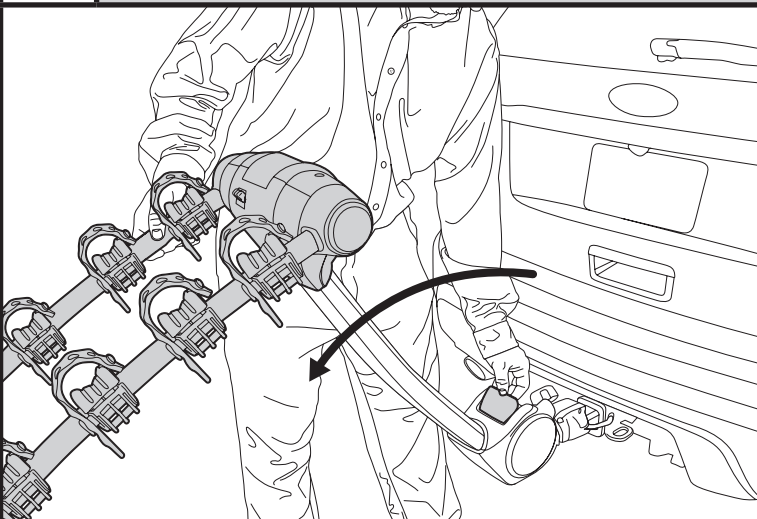
**7****ATTACHING HOLD FAST ANTI-SWAY CAGES**

- To attach anti-sway cage, hold horizontal with smooth edge facing down and slide C-slot opening onto Anti-sway Extension / Cradle. Swing down to vertical position. Place smooth curved surface against seat tube and attach strap as shown.

- Mount bikes in alternate directions.

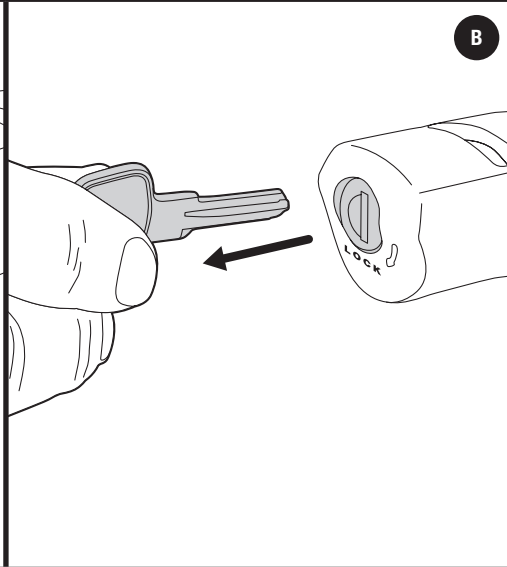
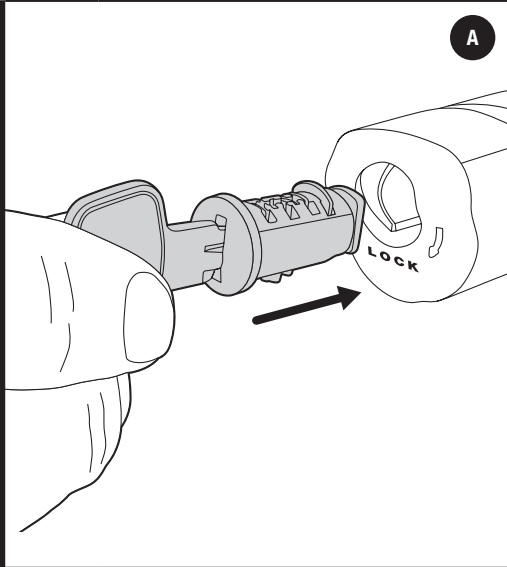
**8**

- Secure bikes to mast of carrier with black strap.

**9****NOTE: BIKES MUST BE REMOVED TO LOWER CARRIER.**

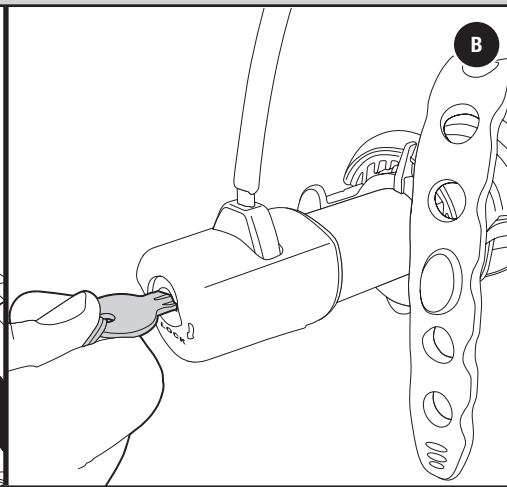
- Firmly hold the mast of the carrier with one hand.
- Lift lower Hitch Switch lever as illustrated.

INSTALLING END CAP LOCK CORE



- Install lock cylinder into locking end cap with Change Key.

USING LOCKING CABLE /



- Lock bikes to carrier with cable lock.