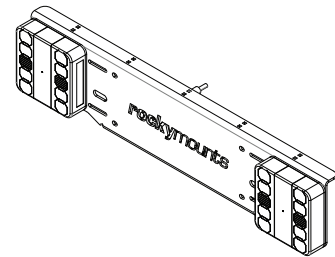




rockymounts

AUSTRALIA

RM030 - Plate Holder.



Guidelines

*Image as guide only.

- Ensure hardware is secure before use.
 - Periodically check hardware during use.
 - Only use kit as intended.
 - Check vehicle suitability with LED auxillary lights.
- NOTE: Some vehicles may require resistors. Direct Mount Kit is available for Rockymounts bike carriers.

Parts Included

A - Plate Holder x 1

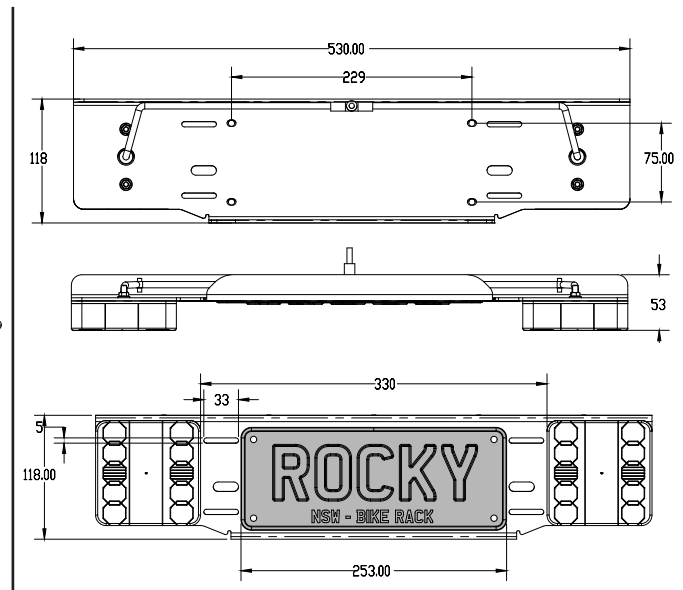
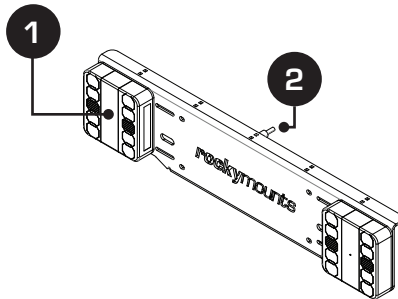
Features:

1- LED Indicator, Brake, Tail and License plate light.

2 - 7 Pin Flat plug with 1.8m of cable.

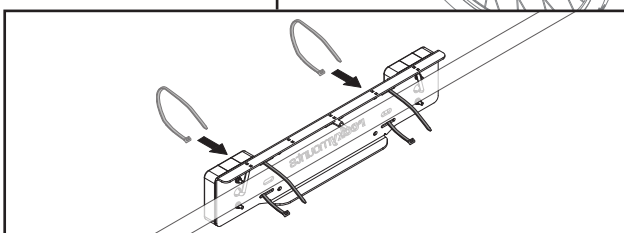
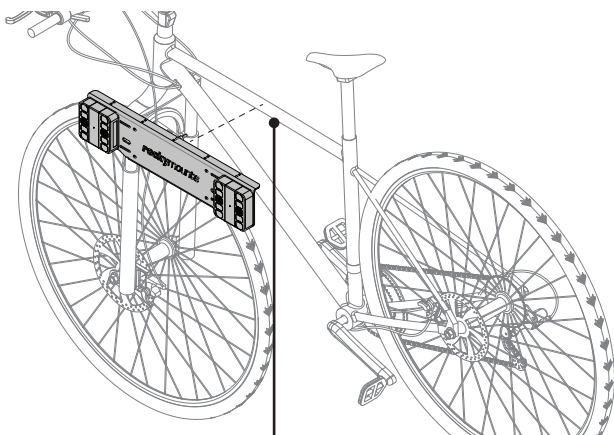
3 - Light weight alloy.

NOTE: For use with auxiliary plates only.



- 1** Attach the plate holder to your bike or bike a carrier. Cable ties or 25mm cam buckle straps can be used.

Its is your responsibility to ensure all local laws, with regards to displaying registration plates, are adhered too.



- 2** Attach the auxillary license plate.
Install the 7 pin flat plug into the vehicle.

