



RHINO-RACK

Aerodynamic & Heavy Duty Roof Rack Systems

CONTROLLED

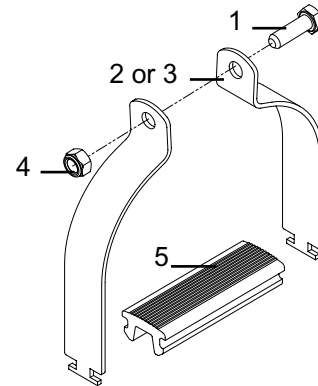
RPC4 & RPC6 Rhino Commercial - Pipe Clamp

Place these instructions in the vehicle's glove box after installation is complete.

Important: Please read these instructions carefully prior to installation.
Please refer to your fitting instruction to ensure that the roof racks are installed in the correct locations.
Check the contents of kit before commencing fitment and report any discrepancies.

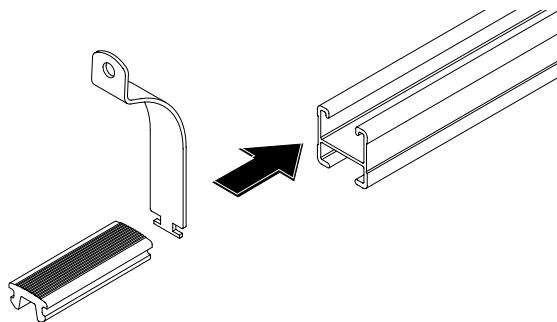
Parts List

Item	Component Name	Qty.	Part No.
1	M8 x 25mm Hex Bolt	2	B101
2	Pipe Clamp 100mm	2	C011
3	Pipe Clamp 150mm	2	C012
4	M8 Nyloc Nut	2	N028
5	Commercial Rubber Buffer	1	R009
6	Fitting Instruction	1	RR051



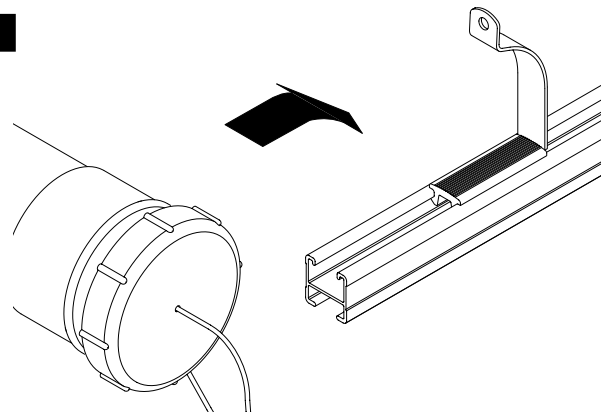
Slide the inner pipe clamp into the top section of the Rhino crossbar. Insert the rubber strip into the Rhino crossbar at the position where the conduit pipe is to be located.

1



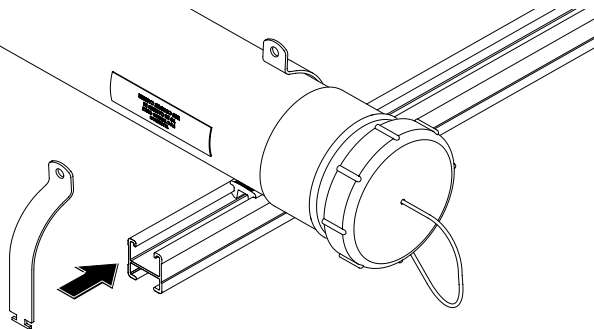
Place the conduit pipe onto the rubber strip.

2



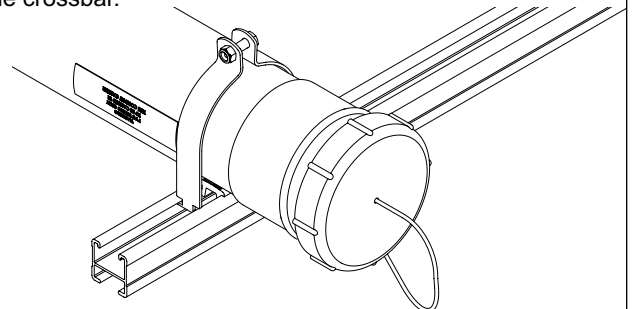
Slide the outer pipe clamp into the crossbar, slide the inner and outer clamp together around the conduit pipe.

3



Insert the M8 x 25mm bolt through the pipe clamps, screw on the M8 nyloc nut and tighten to secure the conduit pipe. Do not over tighten the clamps, as this will crush the conduit pipe. Check that the conduit pipe is secure and cannot move on the crossbar.

4



Rhino-Rack
3 Pike Street, Rydalmere,
NSW 2116, Australia.
(Ph) (02) 9638 4744 (Fax) (02) 9638 4822

Prepared By: Sheila Oliveira
Authorised By: Gary England

Document No: RR-051
Issue No: 02
Issue Date: 15/10/2003

These instructions remain the property of Fetovu Pty Ltd T/as Rhino-Rack and may not be used or changed for any other purpose than intended.