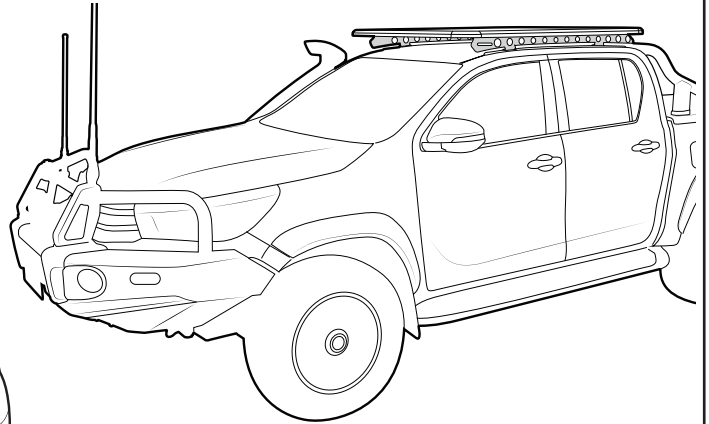
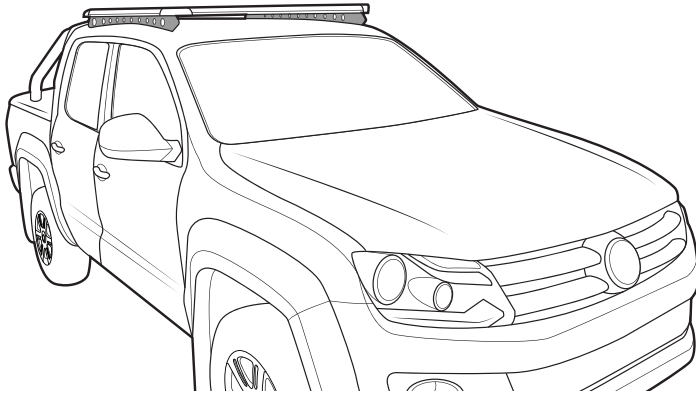




RHINO-RACK

RVAB1 - Amarok/ Hilux Backbone

Fit Time: 2 Hours



Be sure to check Rhino-Rack website to ascertain if you have the latest version of instructions.

IMPORTANT INFORMATION

Maximum carrying capacity:

Suitable Pioneers	On Road Cargo Allowance	Off Road Cargo Allowance	Static Allowance	Roof Allowance	Rack Weight
42100B	72.5kg / 160lb	52.5kg / 116lb	332.5kg / 733lb	100kg / 220lb	27.5kg / 61lb
45100B	70.5kg / 156lb	50.5kg / 111lb	330.5kg / 729lb		29.5kg / 65lb
42101B	69.5kg / 153lb	49.5kg / 109lb	329.5kg / 726lb		30.5kg / 67lb
45101B	67.5kg / 149lb	47.5kg / 105lb	327.5kg / 722lb		32.5kg / 72lb

Roof Allowance: Total permissible weight attached to the roof of the car. This is inclusive of the weight of the roof rack system

Cargo Allowance: Total permissible weight allowed on top, and attached to roof racks whilst the vehicle is in motion

Static Allowance: Total permissible weight allowed on top, and attached to roof racks whilst the vehicle is stationary

Please refer to your vehicle manufacturers handbook for maximum carrying capacity. Always use the lower of the two figures. Load must be evenly distributed over the entire Pioneer. Weight of roof rack accessories is to be included in cargo allowance.

Torque settings

Unless stated otherwise in these instructions, all fasteners should be set to the following torque settings -

M6: 4-5Nm (3-4lbs/ft), M8: 8-10Nm (6-7.5lbs/ft) and M10: 16-18Nm (12-13lbs/ft).

Warning:

- Check Part No. and/ or Kit is correct for use with your vehicle
- Do not attempt to fit the rack system to your vehicle unless you fully understand these fitting instructions. Please direct any questions regarding fitting to the dealer from where the roof racks were purchased.
- **Use only non-stretch fastening ropes or straps.**
- The handling characteristics of the vehicle changes when you transport a load on the roof. For safety reasons we recommend you exercise extreme care when transporting wind-resistant loads. Special consideration must be taken into account when cornering and braking.
- Although the system is tested and approved to AS1235-2000 / ISO 11154, off-road conditions can be much more rigorous. Extreme care must be taken in off road conditions

Recommendations:

It is essential that all bolt connections be checked after driving a short distance when you first install your roof racks. Bolt connections should be checked again at regular intervals (once a week is enough, depending on road conditions, usage, loads and distances travelled). You should also check the roof racks each time they are re-fitted. Always make sure to fasten your load securely. Please also ensure that all loads are evenly distributed and that the centre of gravity is kept as low as possible and must be entirely contained within the extents of the roof racks.

Note for Dealers and Fitters:

It is your responsibility to ensure these fitting instructions are given to the end user or client

Rhino-Rack, 22 Hanson St, Eastern Creek
NSW 2766, Australia
(02) 8846 1900
rhinorack.com.au

Document No: R804

Prepared By: William Davis

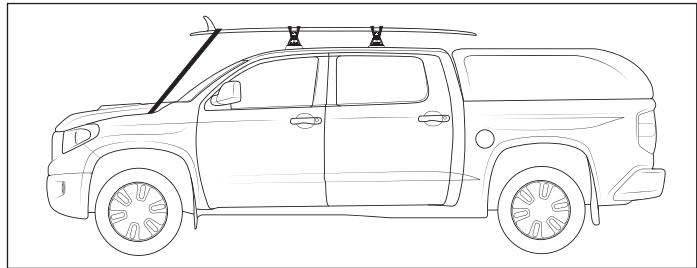
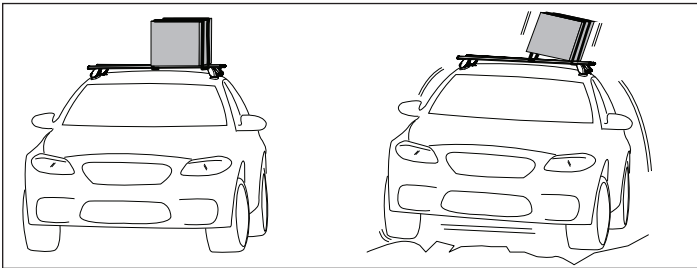
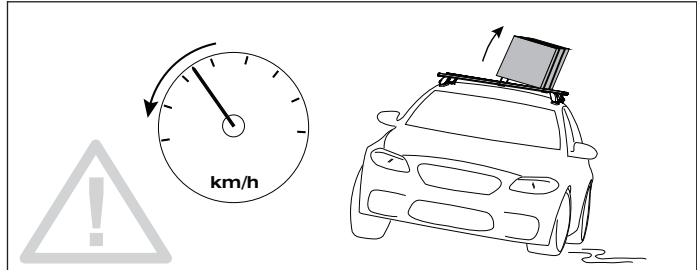
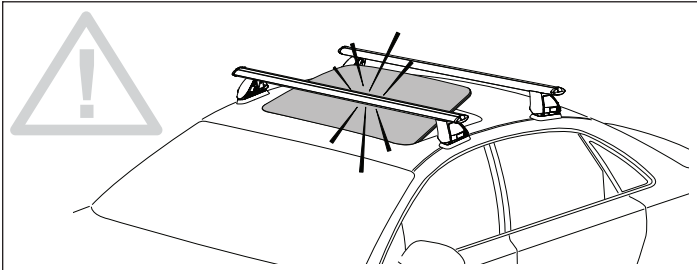
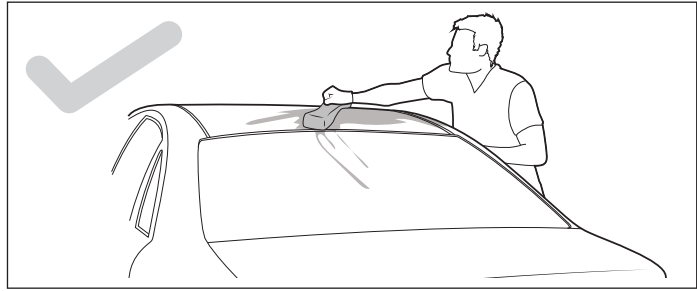
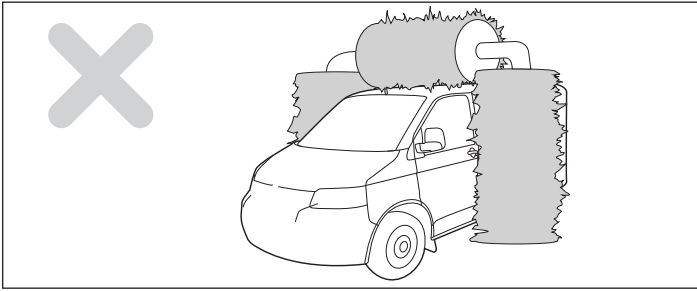
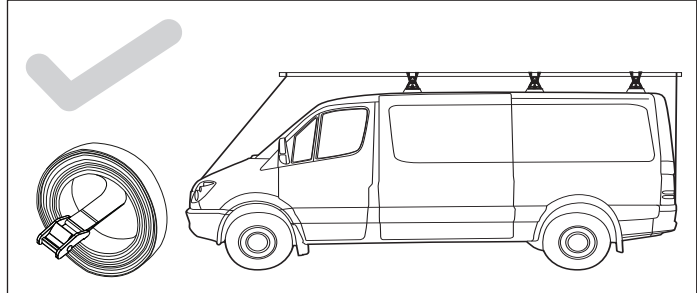
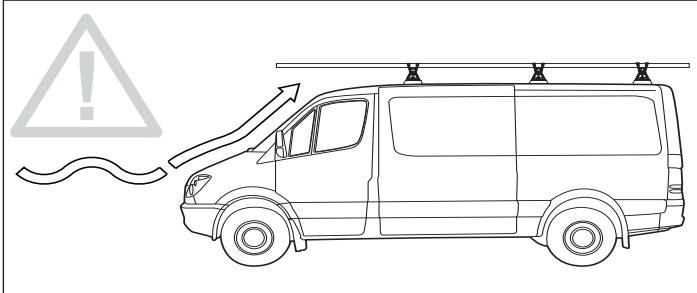
Authorised By: Nicholas Clarke

Issue No: 06

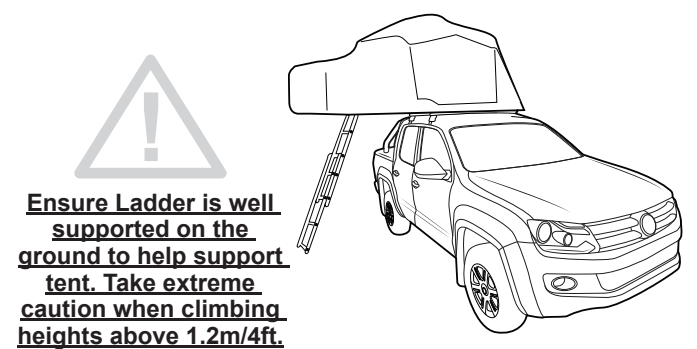
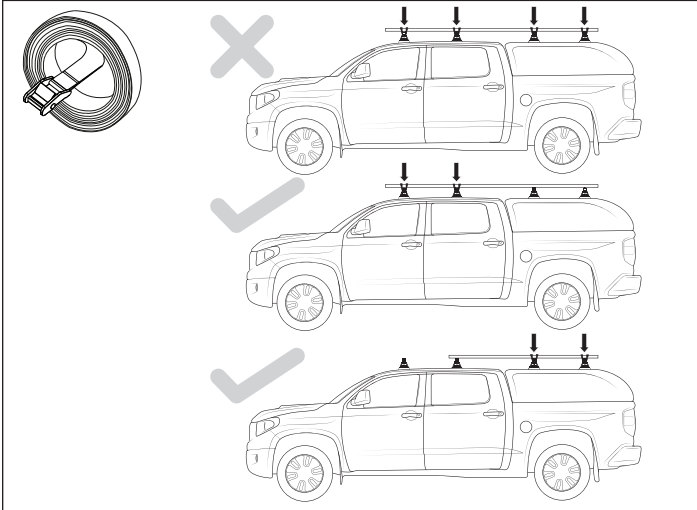
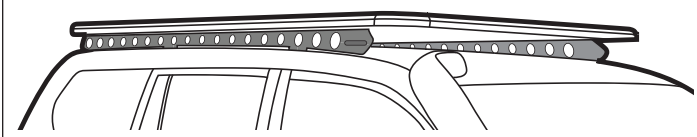
Issue Date: 12/11/2018

These instructions remain the property of Rhino-Rack Australia Pty. Ltd. and may not be used or changed for any other purpose than intended.

RVAB1 - Amarok/ Hilux Backbone



System Weight: 27.5kg - 32.5kg

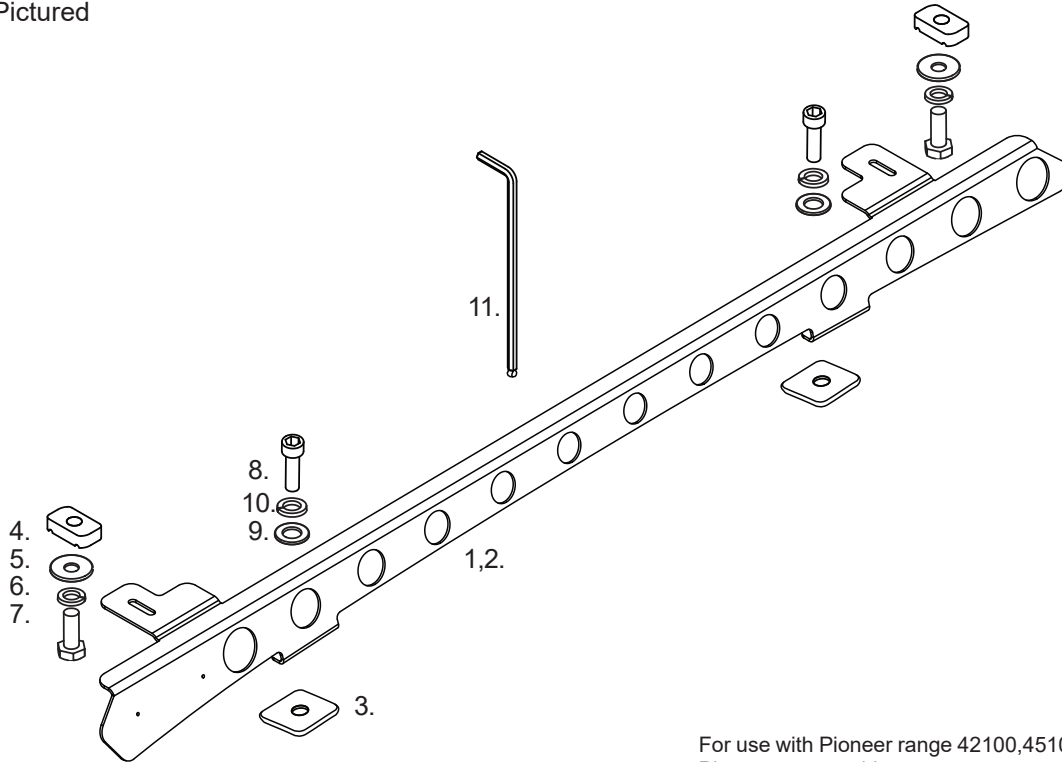


Ensure Ladder is well supported on the ground to help support tent. Take extreme caution when climbing heights above 1.2m/4ft.

RVAB1 - Amarok/ Hilux Backbone

Parts List

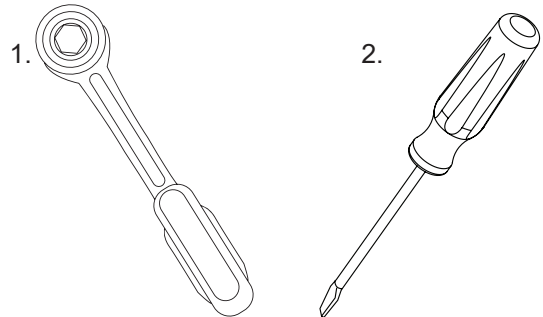
Left Side Pictured



For use with Pioneer range 42100,45100 ,42101 or 45101.
Pioneer range sold as separate.

Item	RVAB1 Kit	Qty	Part No.
1	VW Amarok Backbone Left Rail	1	CA1501
2	VW Amarok Backbone Right Rail	1	CA1502
3	Butyl Patch 20x20 M5 Hole	4	CA1266
4	M8 Channel Nut	4	N003
5	M8x19x2.5mm Flat Washer	4	W043
6	M8 Spring Washer	4	W019
7	M8x20 Hex Setscrew	4	B020-BLK
8	M6x16 Socket Head Screw	4	B031
9	M6x18x1.6mm Flat Washer	4	W031
10	M6 Spring Washer	4	W004
11	Ball End Allen Key	1	-
12	Instructions	1	R804

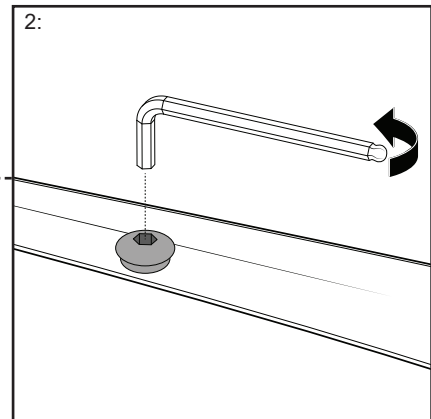
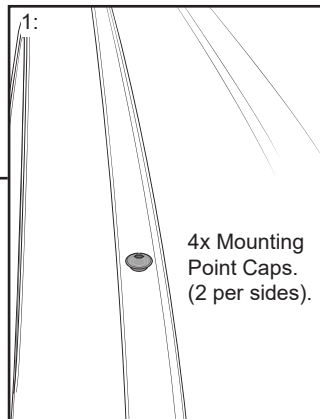
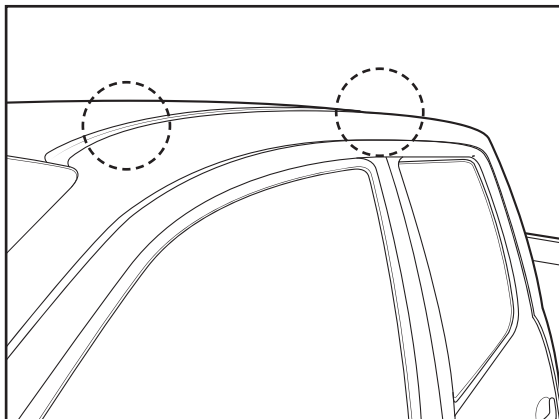
Tools Required:



1. Socket Wrench
2. Flat blade Screw Driver

VW Amarok with no Ditch Fill

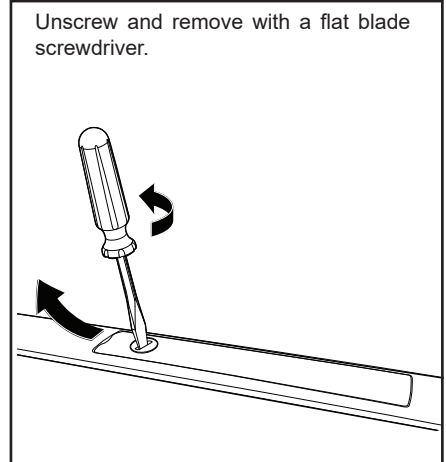
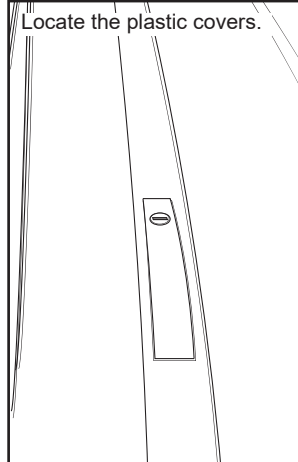
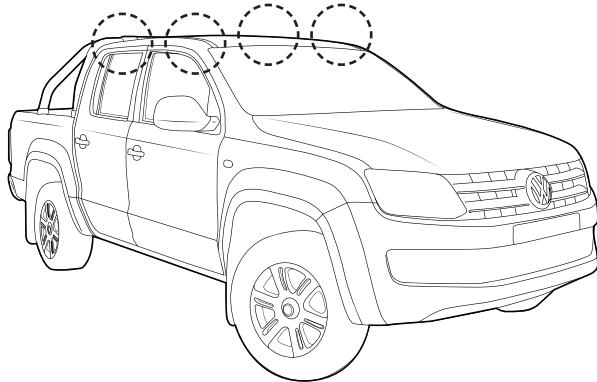
Move to the roof of the vehicle. 1: If your car is not fitted with ditch fill, locate the 4x M6 Mounting Point Caps in the roof ditch. 2: Unscrew the 4x M6 Mounting Point Caps with a 5mm allen key. Clean roof ditch with a cloth. Move to step 3 pg 4.



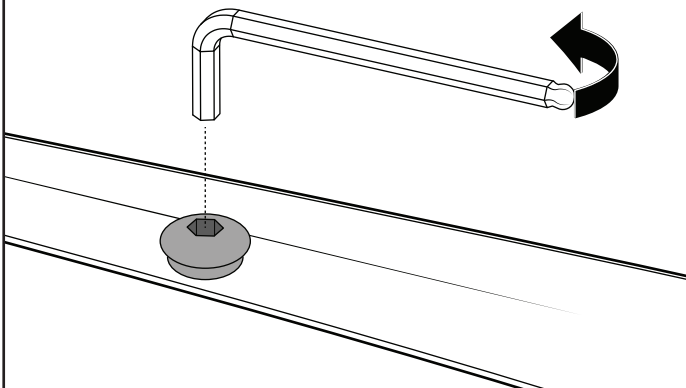
RVAB1 - Amarok/ Hilux Backbone

VW Amarok with Ditch Fill

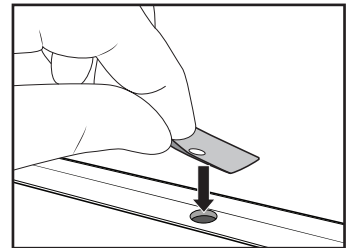
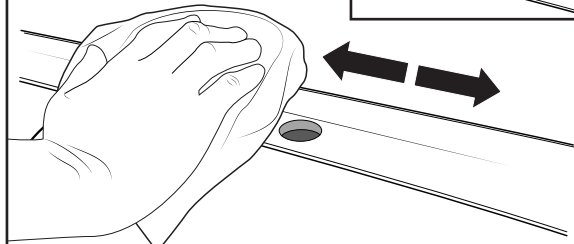
- 1** For models with ditch fill, locate the 4x M6 Mounting Point Caps, these will be covered with a plastic covers. Use a flat head screwdriver and unscrew the covers to remove them. This will expose the Mounting Point Caps below.



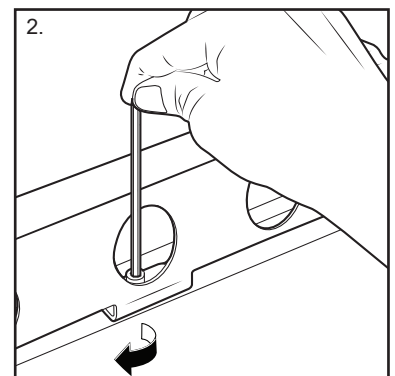
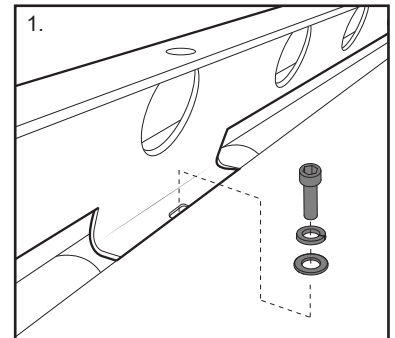
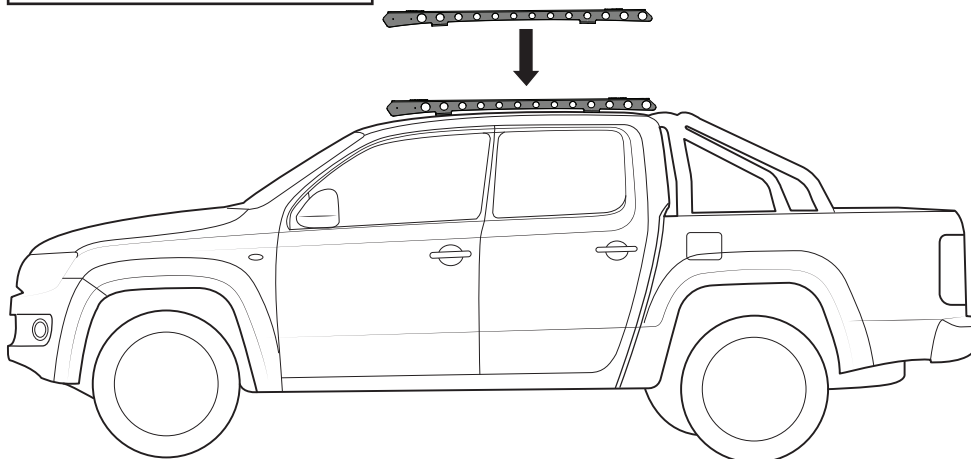
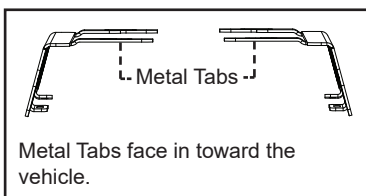
- 1** Using the Allen Key provided, remove all 4 Mounting Point Caps.



- 2** Clean the now exposed roof ditch with a clean cloth. Place Butyl Patches over threaded holes. This will provide a water tight seal.



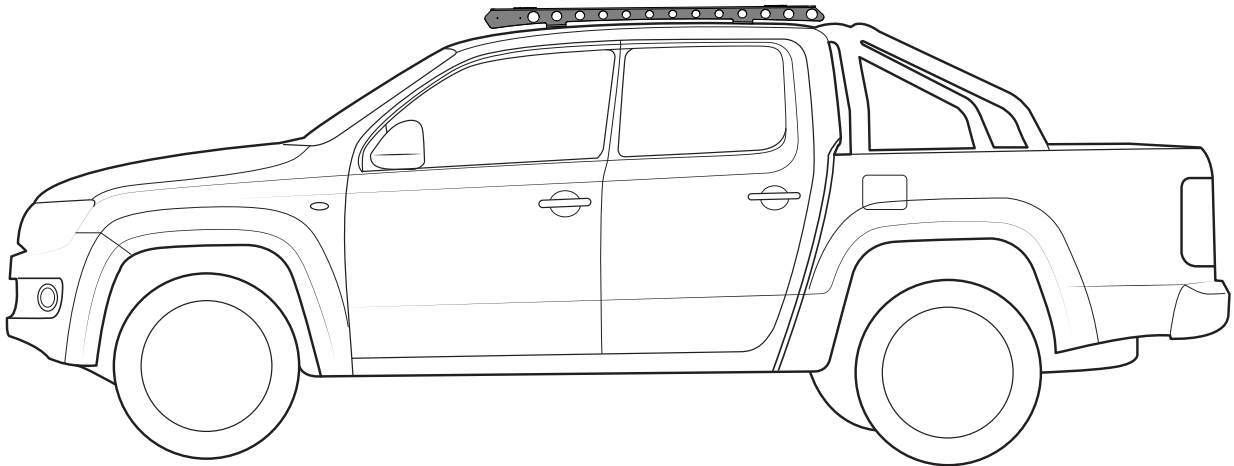
- 3** Place the Backbone onto the vehicle. Be sure to use correct orientation: 1: Finger tighten in place with M6 Socket head Screws, M6 Spring and Flat Washers. 2: Tighten with Allen Key provided. The hardware can be accessed easily from the outside of vehicle as shown. Be sure all fixtures are secure.



RVAB1 - Amarok/ Hilux Backbone

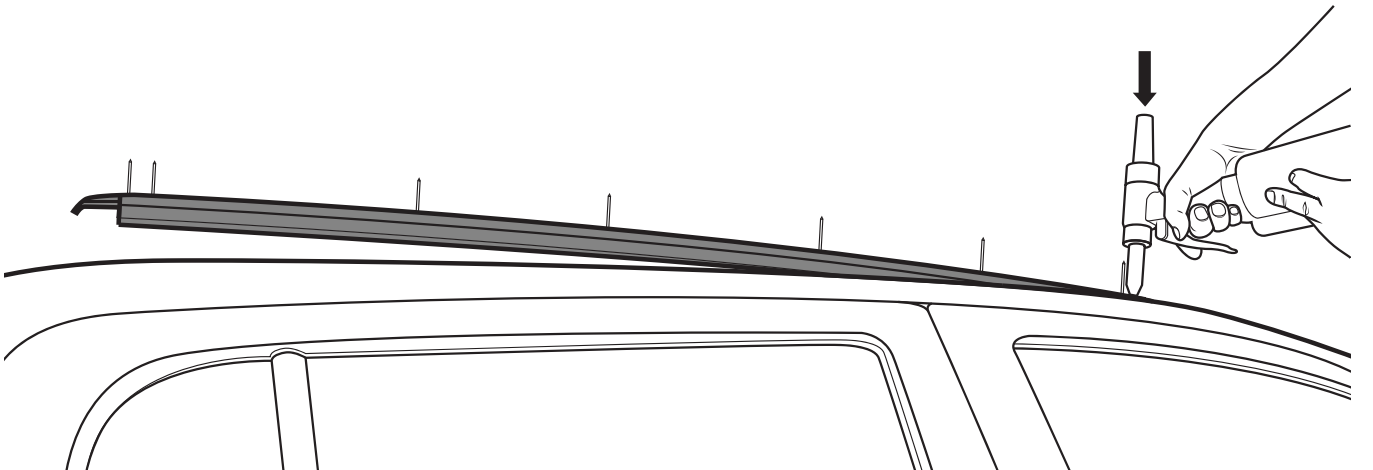
- 4** Repeat previous steps for securing opposite side Backbone rail.

Ensure both Assemblies are securely positioned on the car. Check each bolt before proceeding to attaching the Pioneer Platform to the Backbone.

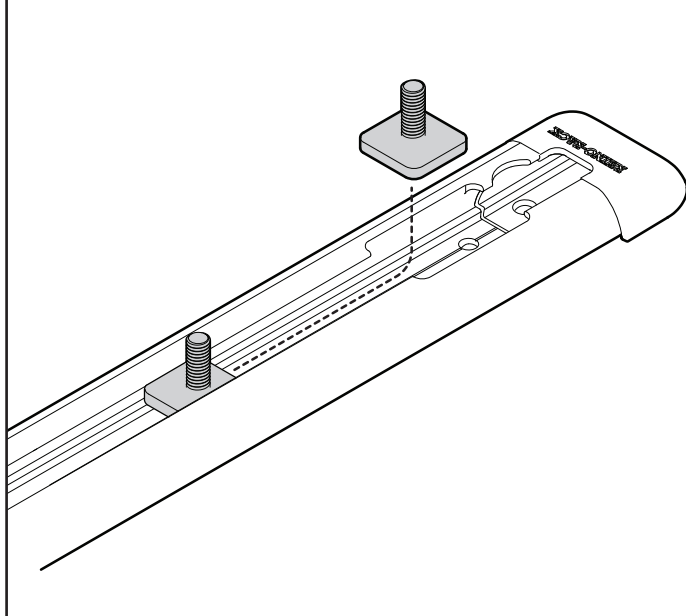


Toyota Hilux with RTS543

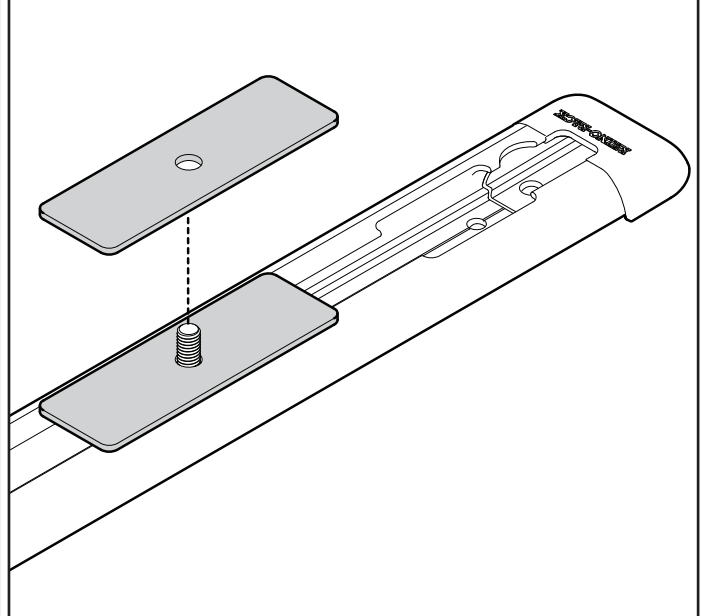
- 1** For fitment of RVAB1 to Toyota Hilux, the vehicle will need to be fitted with RTS543 prior to installing RVAB1. RVAB1 will not suit a Toyota Hilux without RTS543 and SUB0687



- 2** Place 2 x M6 T Bolts into each track - M6 T Bolts supplied in SUB0687

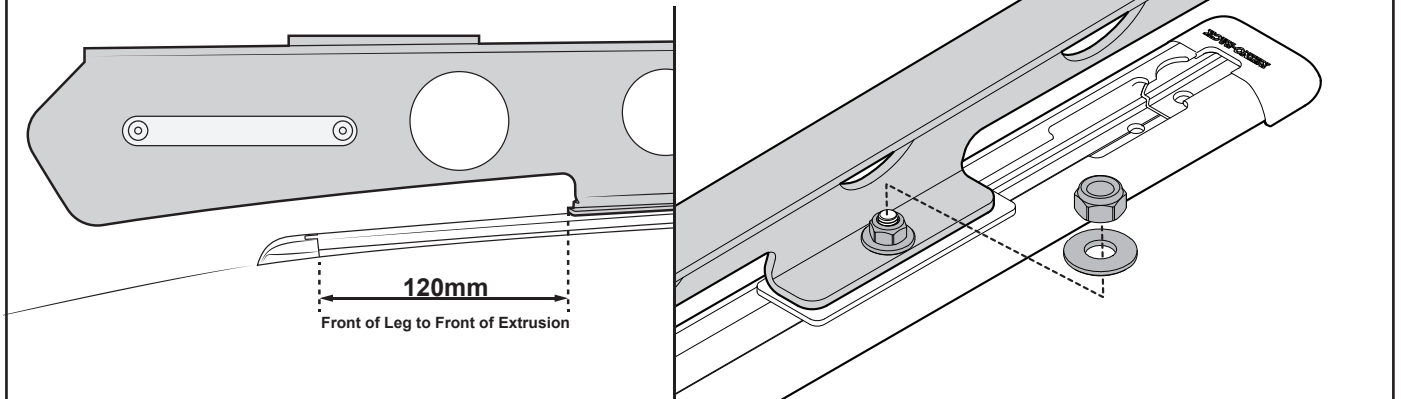


- 3** Place one track adaptor plate on top of each M6 T- Bolt



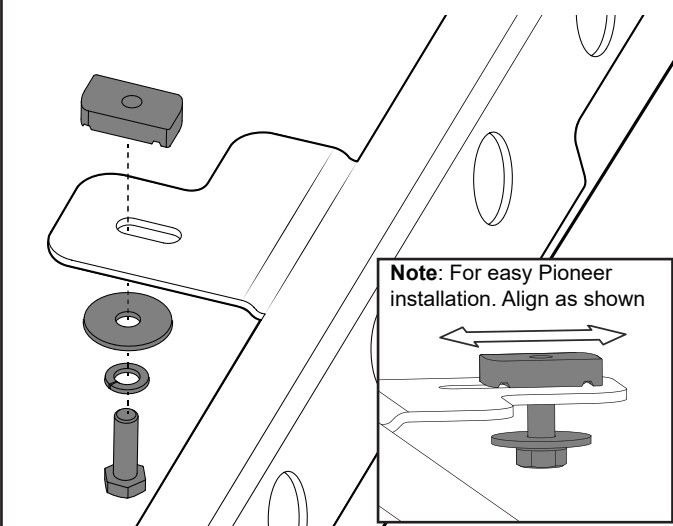
RVAB1 - Amarok/ Hilux Backbone

- 4** Place Backbone onto track adaptor plates and secure with M6 Flat washer and M6 Nyloc Nut.
Once Backbone is aligned - tighten with 10mm spanner



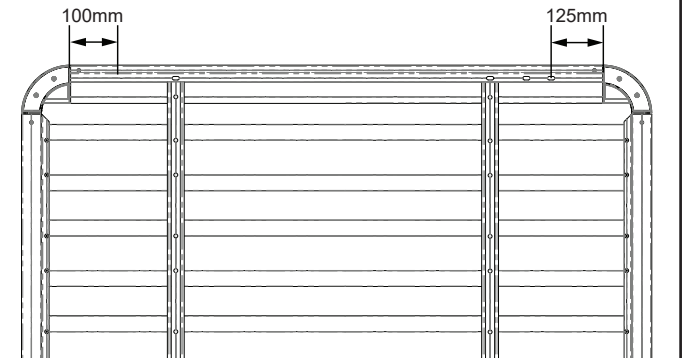
Fitting Pioneer to Backbone

- 1** Assemble M8 hardware as pictured below. Complete this for the six tabs on top of the backbone rails (2 each rail).

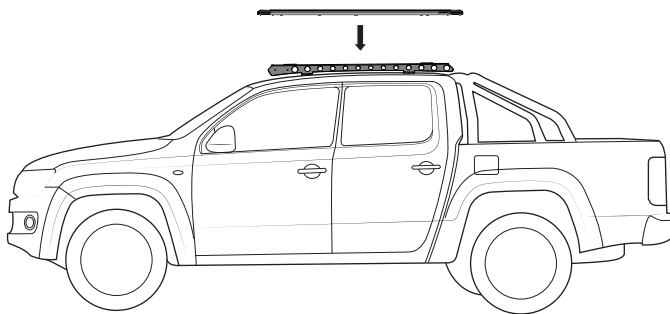


- 2** Install Pioneer Underbars with slots indicated (42100,45100, 42101 or 45101).
REAR: 125mm from Rear (using slots)
FRONT: 100mm from Front (drill)

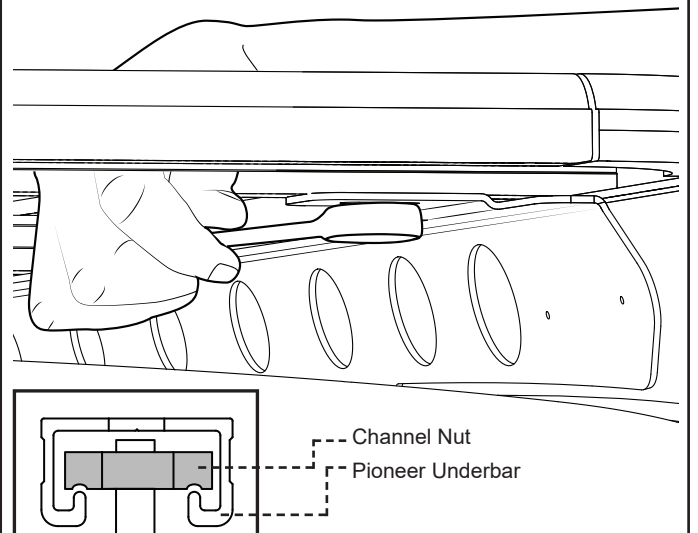
The rear slot will have to be drilled with an 8.5mm drill bit. For detailed underbar installation instructions, refer to Pioneer fitting instructions.



- 3** After underbars have been correctly fitted, place the Pioneer Platform on top of the Backbone. Align the underbars with the top tabs and ensure the M8 hardware fits into underbar channel.



- 4** Once Pioneer Underbars have been aligned properly, tighten all M8 hardware using 13mm socket wrench or 13mm spanner. Ensure channel nut has rotated within Pioneer underbar and is fixing Pioneer securely.

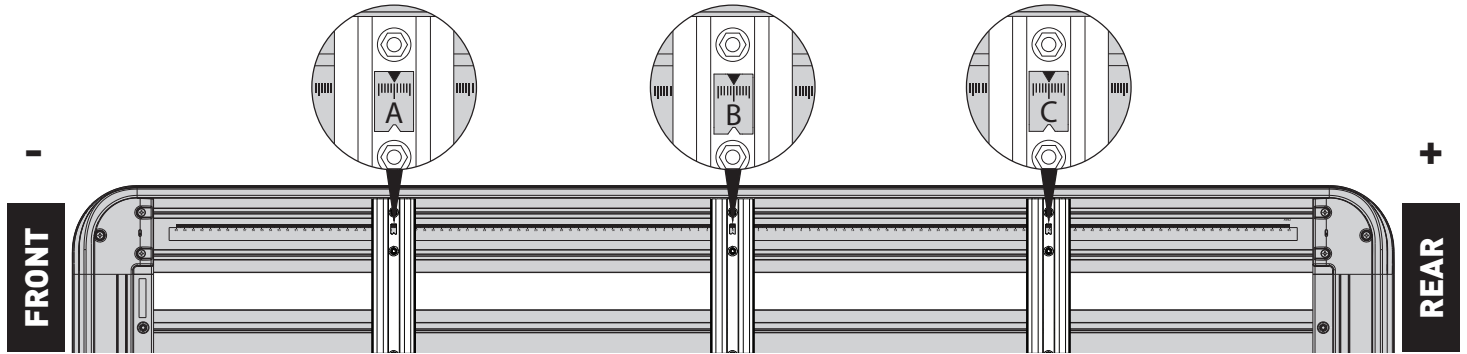


VEHICLE	PIONEER SIZE	CONNECTOR
VOLKSWAGEN Amarok 2H Dual Cab	52101	RVAB1

IMPORTANT NOTES	Requires Kit SP308
------------------------	--------------------

REGION	AUS	NZ	USA	CA	EU	SA	ZA
AVAILABILITY	✓	✓			✓		✓
RUNNING DATES	Feb-11 -	-	-	-	-	-	-

UNDERBAR SPACING



BAR NO.	A	B	C	D	E	F	G
DIMENSION (CM)	-54.5	0.0	52.0	-	-	-	-
SPACERS REQ'D	-	-	-	-	-	-	-

VEHICLE LOAD LIMIT (kgs / lbs)	SYSTEM WEIGHT (kgs) PLATFORM + CONNECTOR	ON-ROAD CARGO ALLOWANCE (kgs / lbs)	OFF-ROAD CARGO ALLOWANCE (kgs / lbs)
100 / 220	26.7 / 58.9	73.3 / 161.6	48.9 / 107.8

NOTES FOR DEALERS / FITTERS

It is your responsibility to ensure these fitting instructions are given to the end user or client.

Document No: R2103
Issue No: 0
Issue Date: 21/10/2019

These instructions remain the property of Rhino-Rack Australia Pty. Ltd. and may not be used or changed for any other purpose than intended.