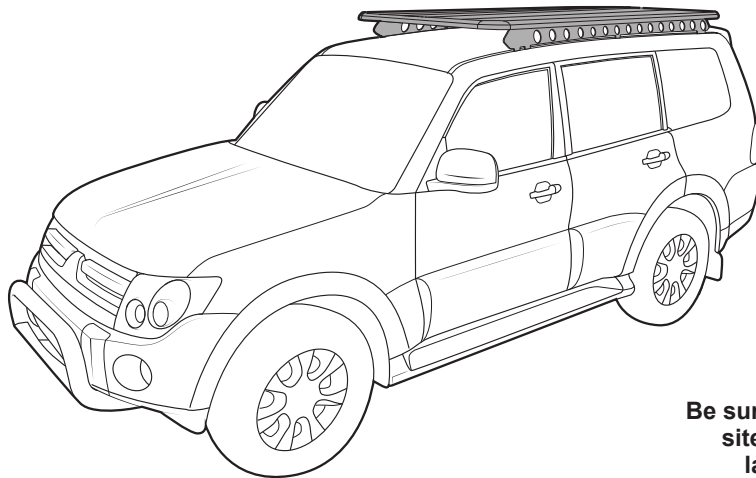


RHINO-RACK

Mitsubishi Pajero NX/PX Backbone - RMPB1

Fit Time: 3-4 Hours



Be sure to check Rhino-Rack website to ascertain if you have the latest version of instructions.

IMPORTANT INFORMATION

Maximum carrying capacity:

Suitable Pioneers	On Road Cargo Allowance	Off Road Cargo Allowance	Static Allowance	Roof Allowance	Rack Weight
41102	80kg / 177lb	56kg / 123lb	320kg / 705lb	120kg / 262lb	40kg / 88lb
42102B	85.5kg / 189lb	61.5kg / 136lb	325.5kg / 718lb		34.5kg / 76lb
45102B	83kg / 183lb	59kg / 130lb	323kg / 712lb		37kg / 82lb
41107	77.5kg / 171lb	53.5kg / 118lb	317.5kg / 700lb		42.5kg / 94lb
42107B	83kg / 183lb	59kg / 130lb	323kg / 712lb		37kg / 82lb
45107B	80kg / 177lb	56kg / 123lb	320kg / 705lb		40kg / 88lb

Roof Allowance: Total permissible weight attached to the roof of the car. This is inclusive of the weight of the roof rack system

Cargo Allowance: Total permissible weight allowed on top, and attached to roof racks whilst the vehicle is in motion

Static Allowance: Total permissible weight allowed on top, and attached to roof racks whilst the vehicle is stationary

Please refer to your vehicle manufacturers handbook for maximum carrying capacity. Always use the lower of the two figures. Load must be evenly distributed over the entire Pioneer. Weight of roof rack accessories is to be included in cargo allowance.

Torque settings

Unless stated otherwise in these instructions, all fasteners should be set to the following torque settings -

M6: 4-5Nm (3-4lbs/ft), M8: 8-10Nm (6-7.5lbs/ft) and M10: 16-18Nm (12-13lbs/ft).

Warning:

- Check Part No. and/ or Kit is correct for use with your vehicle
- Do not attempt to fit the rack system to your vehicle unless you fully understand these fitting instructions. Please direct any questions regarding fitting to the dealer from where the roof racks were purchased.
- **Use only non-stretch fastening ropes or straps.**
- The handling characteristics of the vehicle changes when you transport a load on the roof. For safety reasons we recommend you exercise extreme care when transporting wind-resistant loads. Special consideration must be taken into account when cornering and braking.
- Although the system is tested and approved to AS1235-2000 / ISO 11154, off-road conditions can be much more rigorous. Extreme care must be taken in off road conditions

Recommendations:

It is essential that all bolt connections be checked after driving a short distance when you first install your roof racks. Bolt connections should be checked again at regular intervals (once a week is enough, depending on road conditions, usage, loads and distances travelled). You should also check the roof racks each time they are re-fitted. Always make sure to fasten your load securely. Please also ensure that all loads are evenly distributed and that the centre of gravity is kept as low as possible and must be entirely contained within the extents of the roof racks.

Note for Dealers and Fitters:

It is your responsibility to ensure these fitting instructions are given to the end user or client

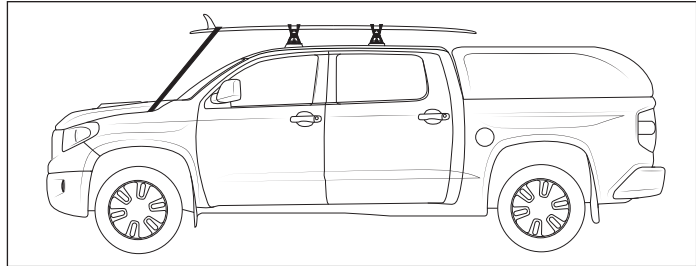
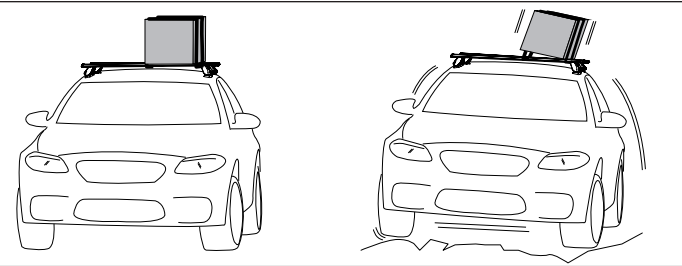
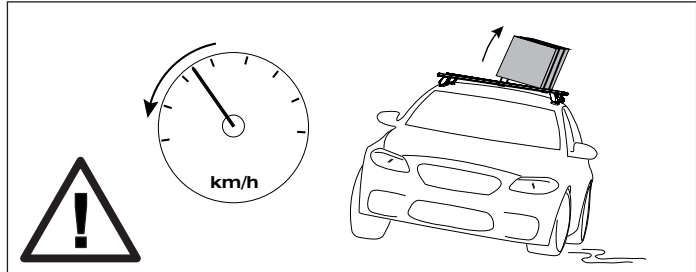
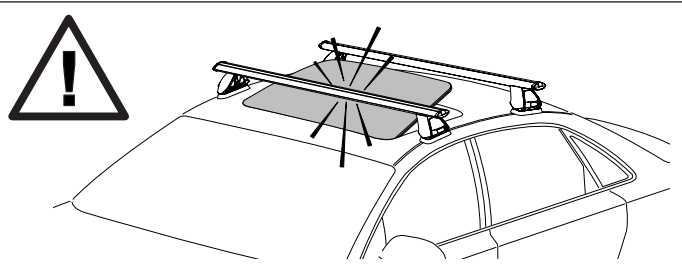
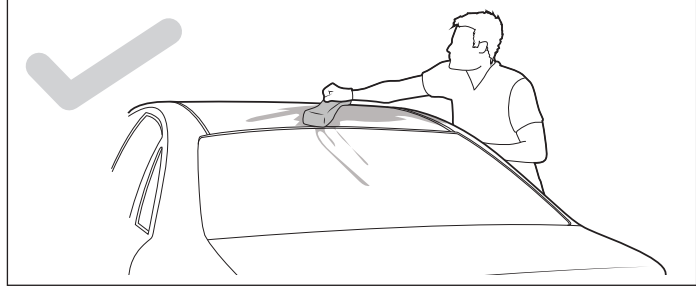
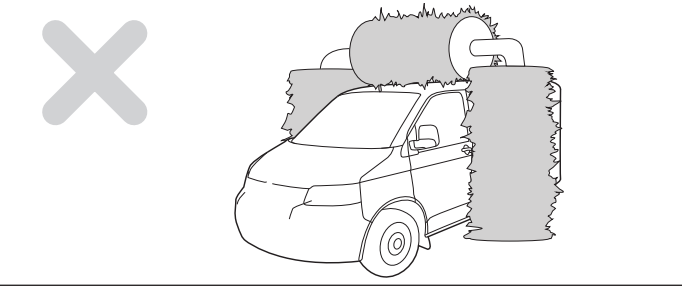
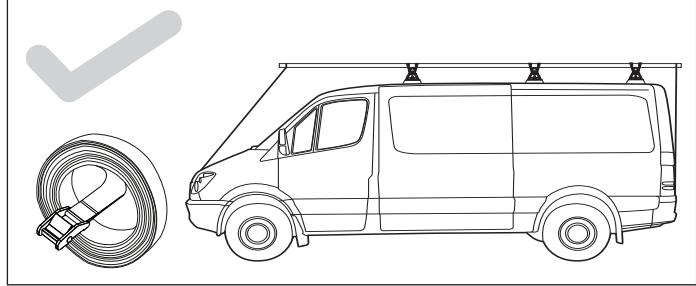
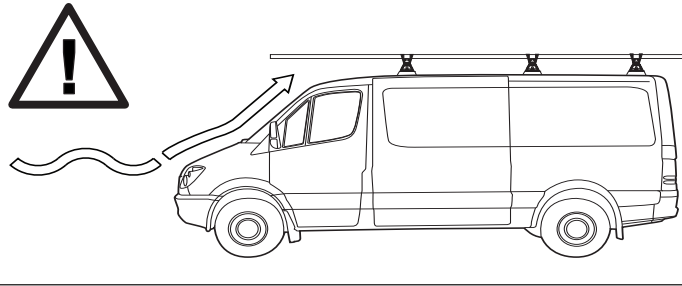
Rhino-Rack, 3 Pike St, Rydalmere
NSW 2116, Australia
(02) 8846 1900
rhinorack.com.au

Document No: R1754
Prepared By: KE
Authorised By: WD

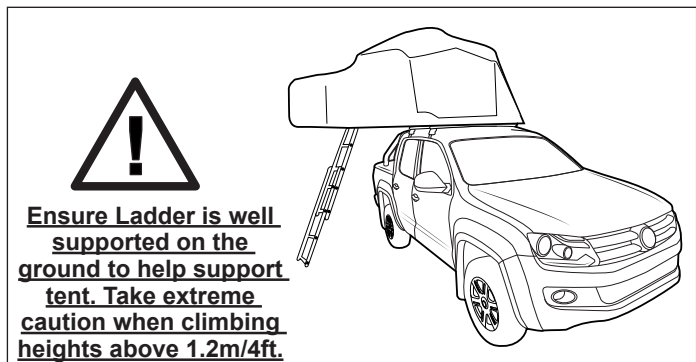
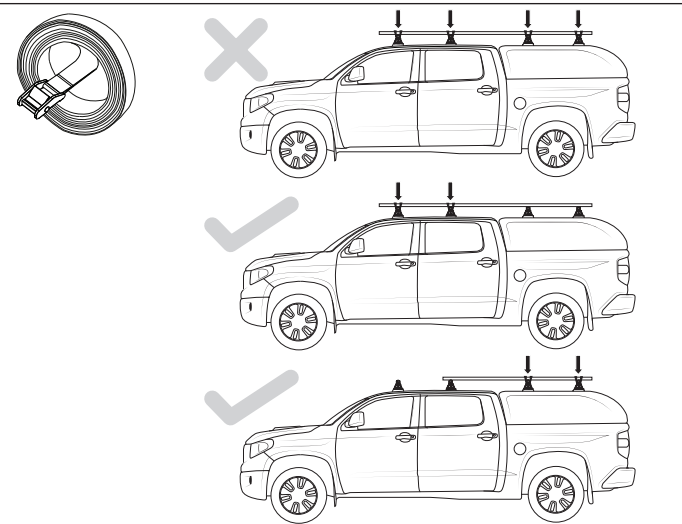
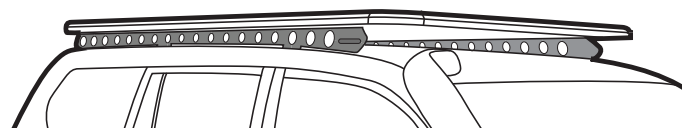
Issue No: 05
Issue Date: 26/06/2019

These instructions remain the property of Rhino-Rack Australia Pty. Ltd. and may not be used or changed for any other purpose than intended.

Mitsubishi Pajero NX/PX Backbone - RMPB1



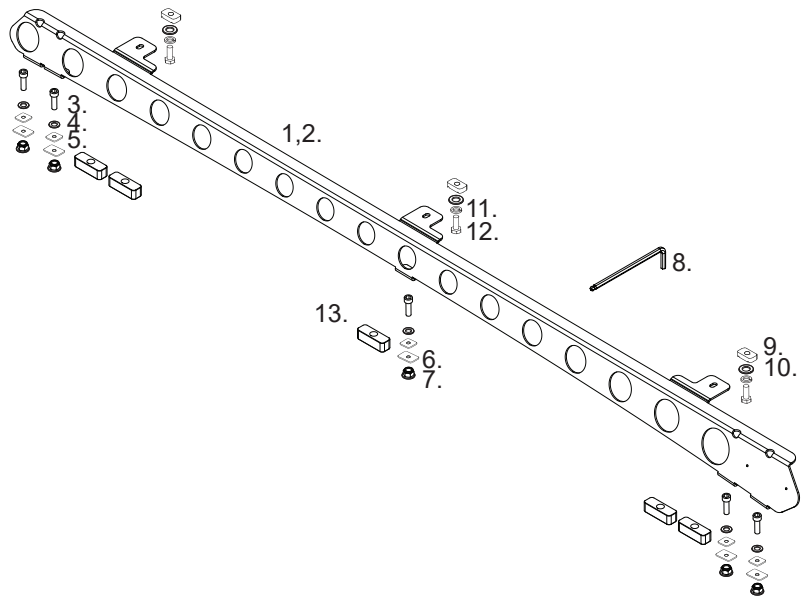
System Weight: 34.5kg - 42.5kg



Mitsubishi Pajero NX/PX Backbone - RMPB1

Parts List

Item	RMPB1	Qty	Part No.
1	Pajero Backbone LH	1	CA1869
2	Pajero Backbone RH	1	CA1870
3	M6 x 30mm Skt Head Screw	10	B047
4	M6 x 18mm Flat Washer	20	W031
5	Butyl Patch 20mm x 20mm	10	CA1266
6	Butyl Patch 40mm x 25mm	10	CA1260
7	M6 Nyloc Combination	10	N076
8	5mm Ball End Allen Key	1	H058
9	M8 Channel Nut	6	N003-BLK
10	M8 x 24mm Flat Washer	6	W064-BLK
11	M8 Sprint Washer	6	W019-BLK
12	M8 x 20mm Hex Bolt	6	B020-BLK
13	Pajero Foot Packer	10	CA1891
14	Instructions	1	R1754

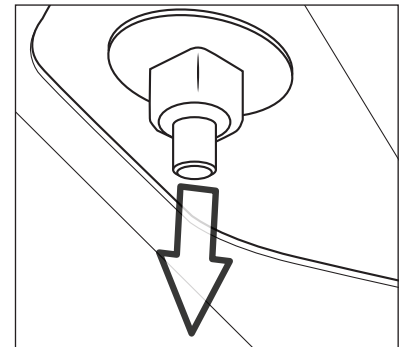
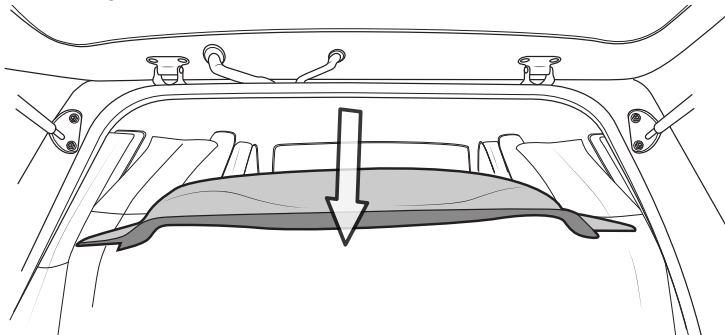


Tools Required:

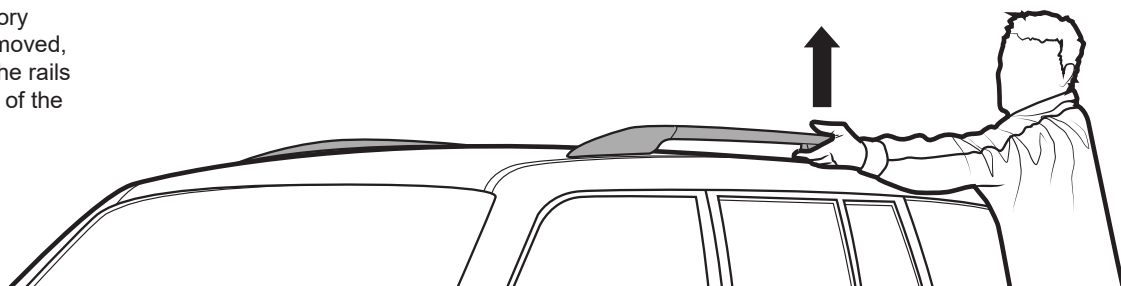
1. 13mm (17/32") socket wrench. 2. Roof trim removal tools. 3. 10mm socket wrench.

Instructions

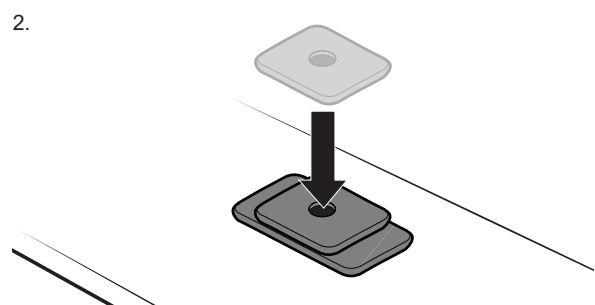
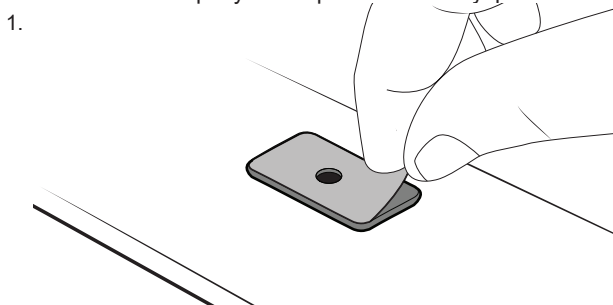
- 1** This Backbone fit requires factory rails to be removed from the vehicle. To achieve this the hood lining must be carefully dropped. This will allow access to the factory nuts and washers installed under the roof rail. Unscrew these to remove the roof rail. There are 5 nuts to remove for each rail.



With the factory hardware removed, carefully lift the rails from the roof of the vehicle.

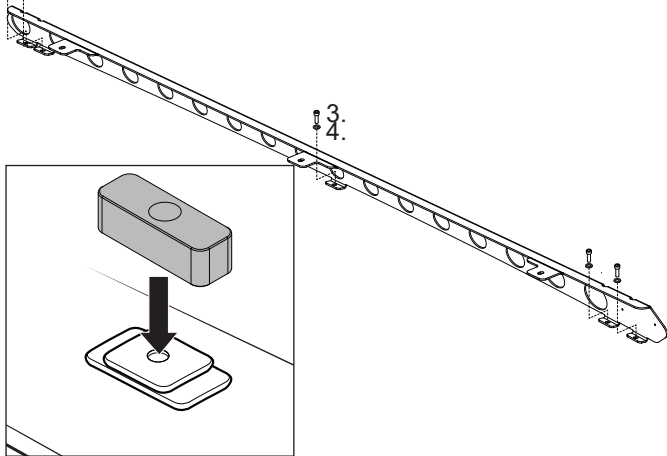


- 2**
1. Peel off one side of backing tape on the large butyl patches provided. Place over the top of the exposed factory holes. Remove the top layer of backing tape.
 2. Remove the backing tape off the smaller butyl patches and place these over the top of the larger butyl patches. Again, Remove the top layer of tape from the butyl patch.

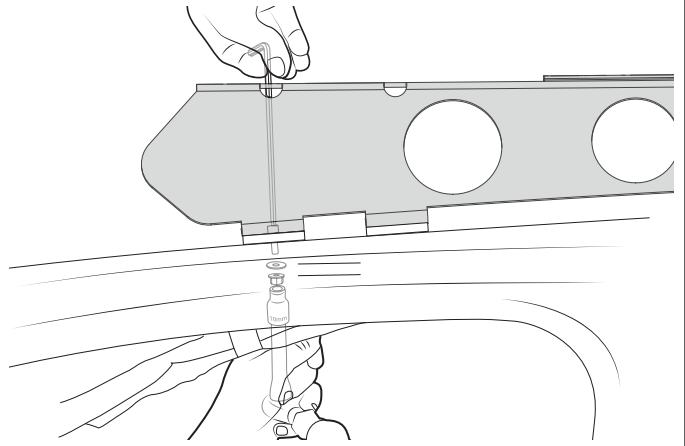


Mitsubishi Pajero NX/PX Backbone - RMPB1

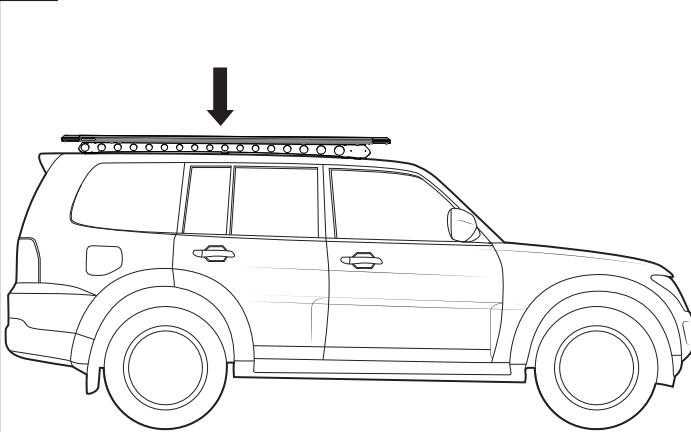
- 3** Place the M6 hardware into the backbone as shown. Place a foot packer over each butyl patch on the roof.



- 4** Place the backbone onto the installed foot packers. Fasten the backbone into place using the provided M6 Flanged Nyloc and flat washer with a 10mm Socket

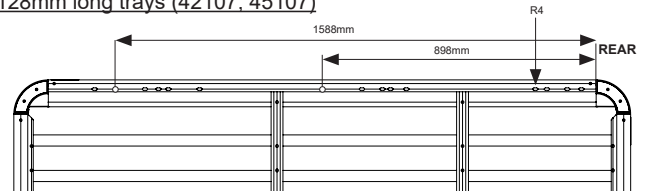


- 5** Place the pioneer onto the installed backbones.

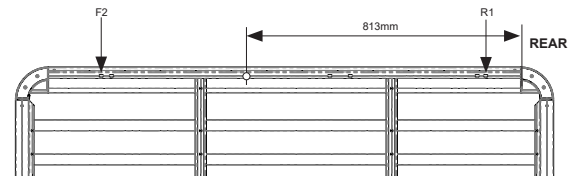


- Install Pioneer underbars into positions indicated.

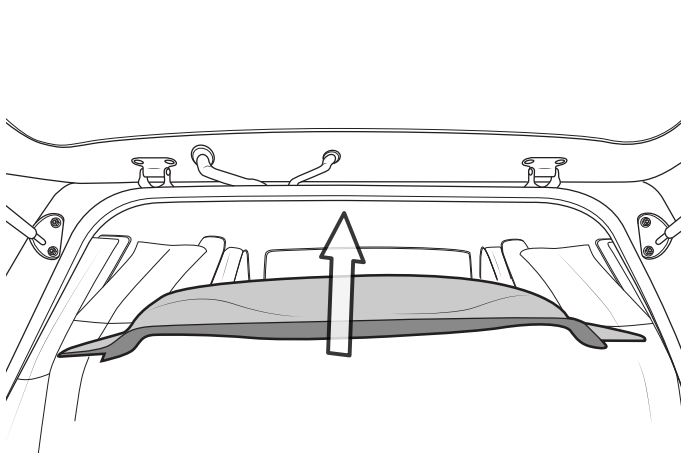
2128mm long trays (42107, 45107)



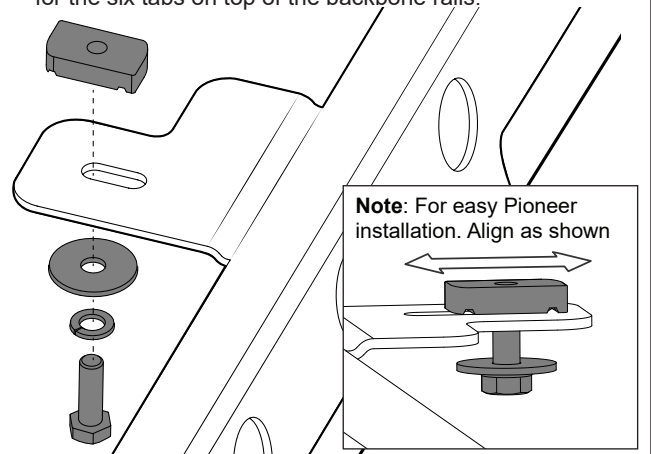
1928mm long trays (42102, 45102, 41102)



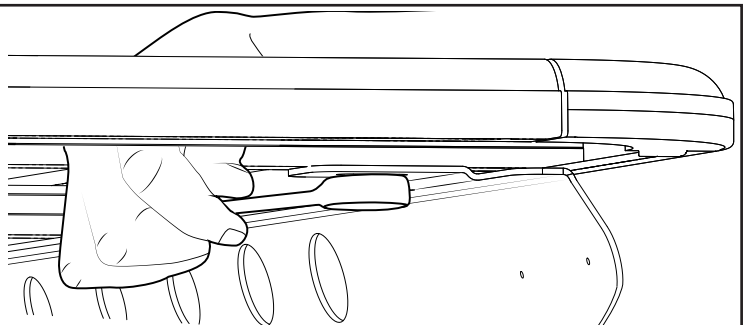
- 6** Carefully replace the hood lining.



- 7** Assemble M8 hardware as pictured below. Complete this for the six tabs on top of the backbone rails.



- 8** Once Pioneer underbars have been aligned properly, tighten all M8 hardware using 13mm (17/32") socket wrench or 13mm spanner. Ensure channel nut has rotated within Pioneer underbar and is fixing Pioneer securely. Tighten to 8-10Nm (6-7lbs/ft).

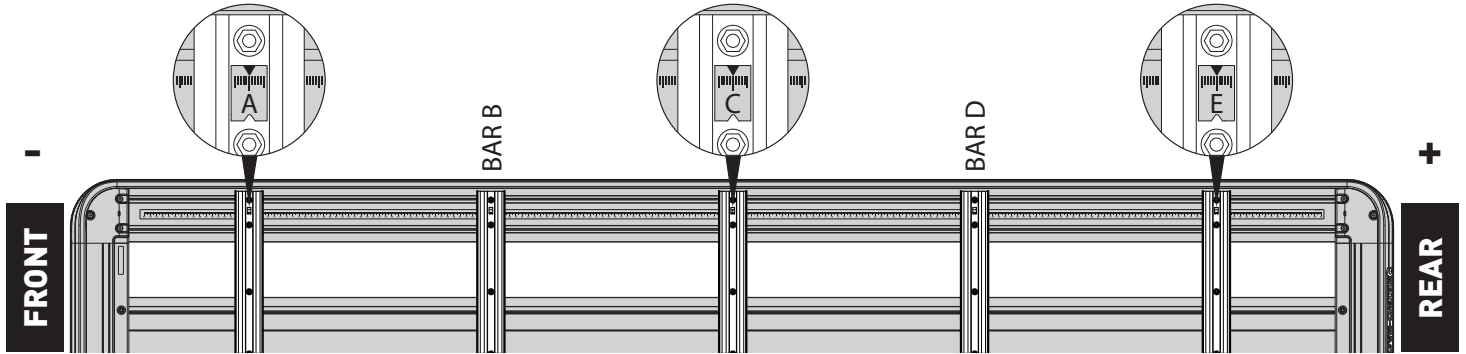


VEHICLE	PIONEER SIZE	CONNECTOR
MITSUBISHI Pajero NS-NX LWB (With Roof Rails)	52107	RMPB1

IMPORTANT NOTES	Requires Kit SP309
------------------------	--------------------

REGION	AUS	NZ	USA	CA	EU	SA	ZA
AVAILABILITY	✓	✓					
RUNNING DATES	Nov-06 -	-	-	-	-	-	-

UNDERBAR SPACING



BAR NO.	A	B	C	D	E	F	G
DIMENSION (CM)	-64.3	-15.6	4.7	48.4	73.5	-	-
SPACERS REQ'D	-	-	-	-	-	-	-

VEHICLE LOAD LIMIT (kgs / lbs)	SYSTEM WEIGHT (kgs / lbs) PLATFORM + CONNECTOR	ON-ROAD CARGO ALLOWANCE (kgs / lbs)	OFF-ROAD CARGO ALLOWANCE (kgs / lbs)
120 / 264.6	37.1 / 81.8	82.9 / 182.8	55.3 / 121.9

NOTES FOR DEALERS / FITTERS

It is your responsibility to ensure these fitting instructions are given to the end user or client.

Document No: R2314
Issue No: 0
Issue Date: 21/10/2019

These instructions remain the property of Rhino-Rack Australia Pty. Ltd. and may not be used or changed for any other purpose than intended.