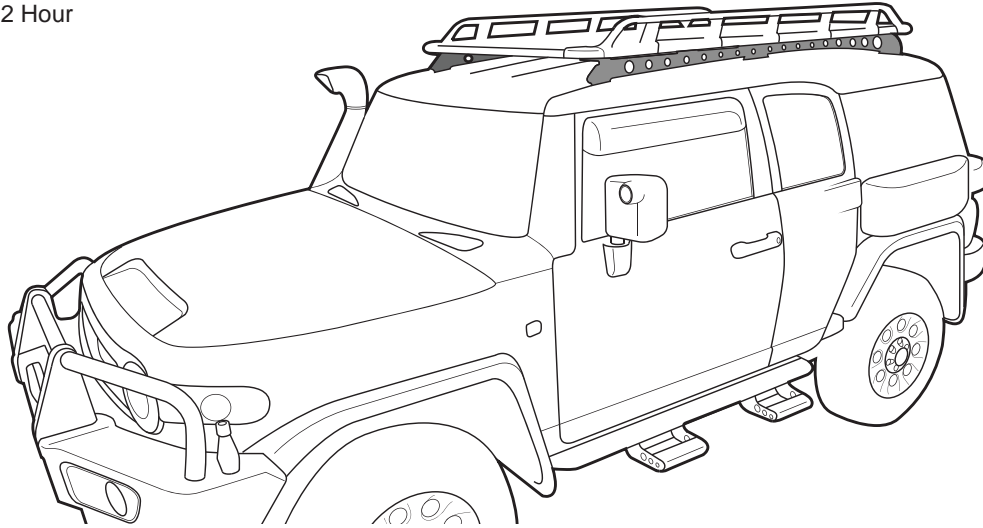


# RHINO-RACK

## Toyota FJ Cruiser Backbone - RFJB1

Fit Time: 2 Hour



### Important Information

#### Maximum carrying capacity:

Suitable Pioneers	On Road Cargo Allowance	Off Road Cargo Allowance	Static Allowance	Roof Allowance	Rack Weight
42104B	82kg / 181lb	58kg / 128lb	322kg / 710lb	120kg / 265lb	38kg / 84lb
45104B	79kg / 174lb	55kg / 121lb	319kg / 703lb		41kg / 90lb
41104	76kg / 168lb	52kg / 115lb	316kg / 697lb		44kg / 97lb
42107B	86.5kg / 191lb	62.5kg / 138lb	326.5kg / 720lb		33.5kg / 74lb
45107B	83.5kg / 184lb	59.5kg / 131lb	323.5kg / 713lb		36.5kg / 80lb
41107	81kg / 179lb	57kg / 126lb	321kg / 708lb		39kg / 86lb

**Roof Allowance:** Total permissible weight attached to the roof of the car. This is inclusive of the weight of the roof rack system

**Cargo Allowance:** Total permissible weight allowed on top, and attached to roof racks whilst the vehicle is in motion

**Static Allowance:** Total permissible weight allowed on top, and attached to roof racks whilst the vehicle is stationary

Please refer to your vehicle manufacturers handbook for maximum carrying capacity. Always use the lower of the two figures. Load must be evenly distributed over the entire Pioneer. Weight of roof rack accessories is to be included in cargo allowance.

#### Torque settings

Unless stated otherwise in these instructions, all fasteners should be set to the following torque settings -

M6: 4-5Nm (3-4lbs/ft), M8: 8-10Nm (6-7.5lbs/ft) and M10: 16-18Nm (12-13lbs/ft).

#### Warning:

- Check Part No. and/ or Kit is correct for use with your vehicle
- Do not attempt to fit the rack system to your vehicle unless you fully understand these fitting instructions. Please direct any questions regarding fitting to the dealer from where the roof racks were purchased.
- **Use only non-stretch fastening ropes or straps.**
- The handling characteristics of the vehicle changes when you transport a load on the roof. For safety reasons we recommend you exercise extreme care when transporting wind-resistant loads. Special consideration must be taken into account when cornering and braking.
- Although the system is tested and approved to AS1235-2000 / ISO 11154, off-road conditions can be much more rigorous. Extreme care must be taken in off road conditions

#### Recommendations:

It is essential that all bolt connections be checked after driving a short distance when you first install your roof racks. Bolt connections should be checked again at regular intervals (once a week is enough, depending on road conditions, usage, loads and distances travelled). You should also check the roof racks each time they are re-fitted. Always make sure to fasten your load securely. Please also ensure that all loads are evenly distributed and that the centre of gravity is kept as low as possible and must be entirely contained within the extents of the roof racks.

#### Note for Dealers and Fitters:

It is your responsibility to ensure these fitting instructions are given to the end user or client

Rhino-Rack, 3 Pike St, Rydalmere

NSW 2116, Australia

(02) 8846 1900

rhinorack.com.au

Document No: R492

Prepared By: Kayle Everett

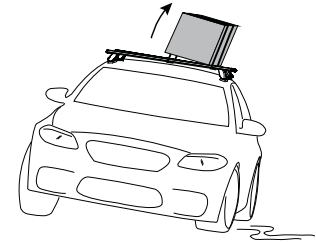
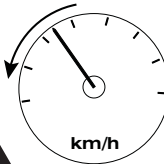
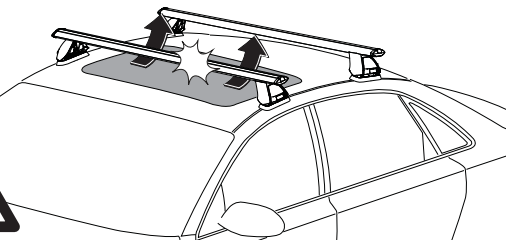
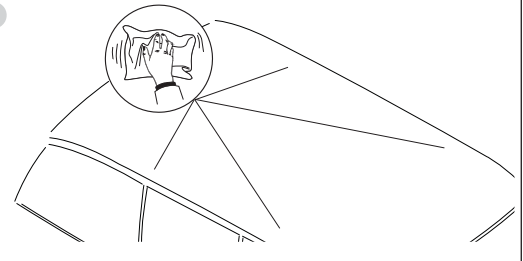
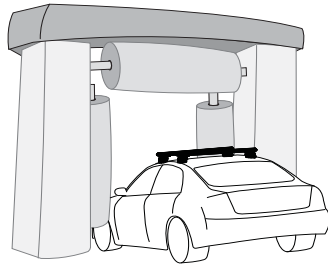
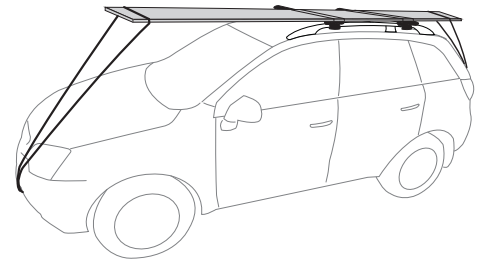
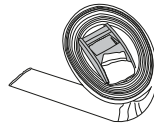
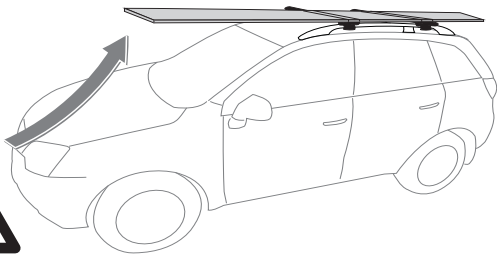
Authorised By: Chris Murty

Issue No: 10

Issue Date: 12/07/2018

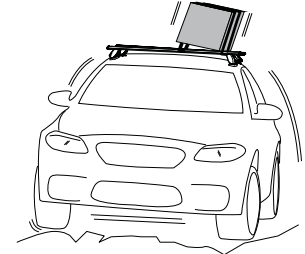
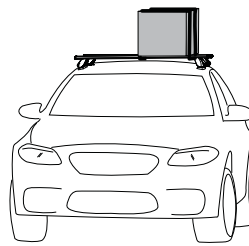
These instructions remain the property of Rhino-Rack Australia Pty. Ltd. and may not be used or changed for any other purpose than intended.

# Toyota FJ Cruiser Backbone - RFJB1

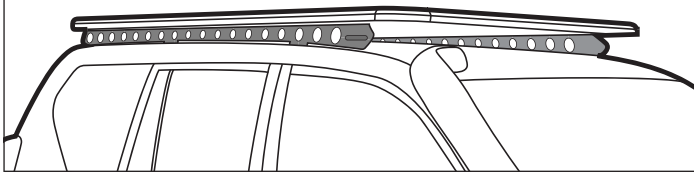


The handling characteristics of the vehicle changes when you transport a load on the roof. For safety reasons we recommend you exercise extreme care when transporting wind-resistant loads. Special consideration must be taken into account when cornering and braking.

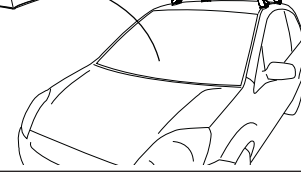
Although the system is tested and approved to AS1235-2000 / ISO 11154, off-road conditions can be much more rigorous. Extreme care must be taken in off road conditions



**System Weight: 33.5kg - 44kg**



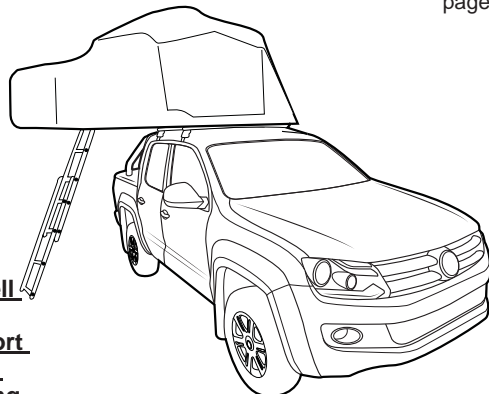
**? kg**



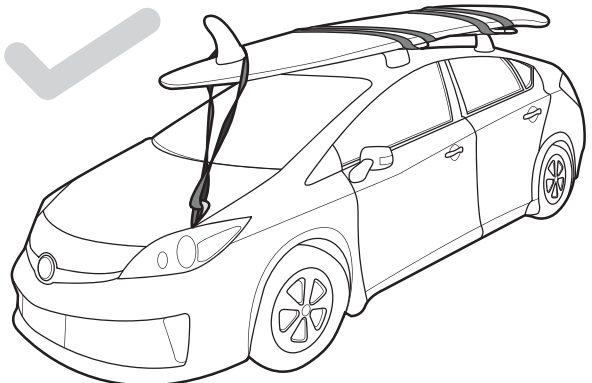
**Static Load Rating:** refer to front page



**Ensure Ladder is well supported on the ground to help support tent. Take extreme caution when climbing heights above 1.2m/4ft.**



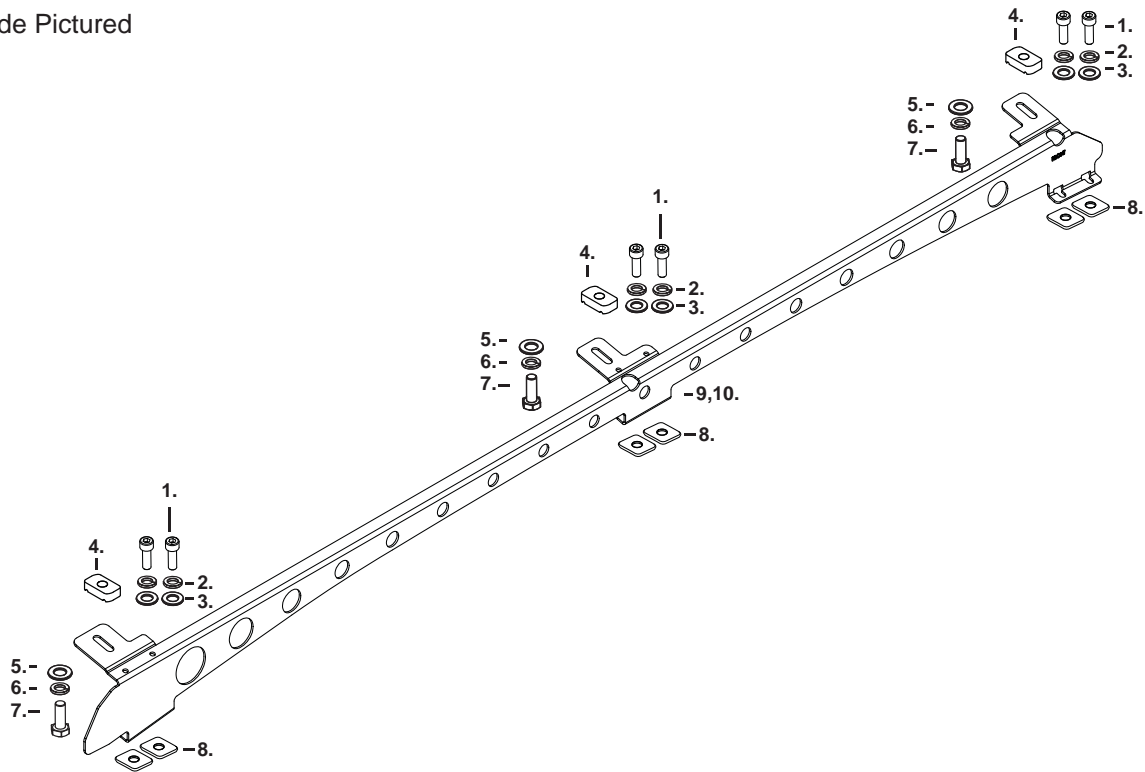
Paddle/ Surfboards should be fixed to the front of the vehicle.



# Toyota FJ Cruiser Backbone - RFJB1

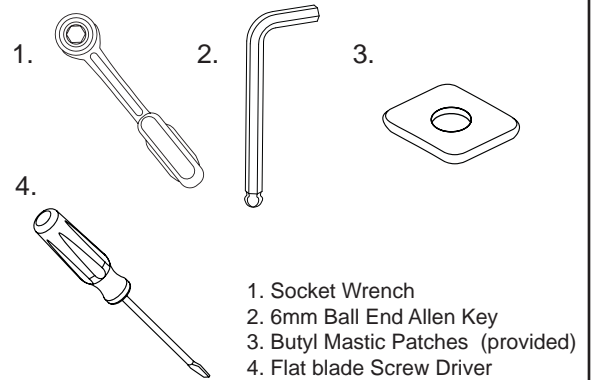
## Parts List

Right Side Pictured



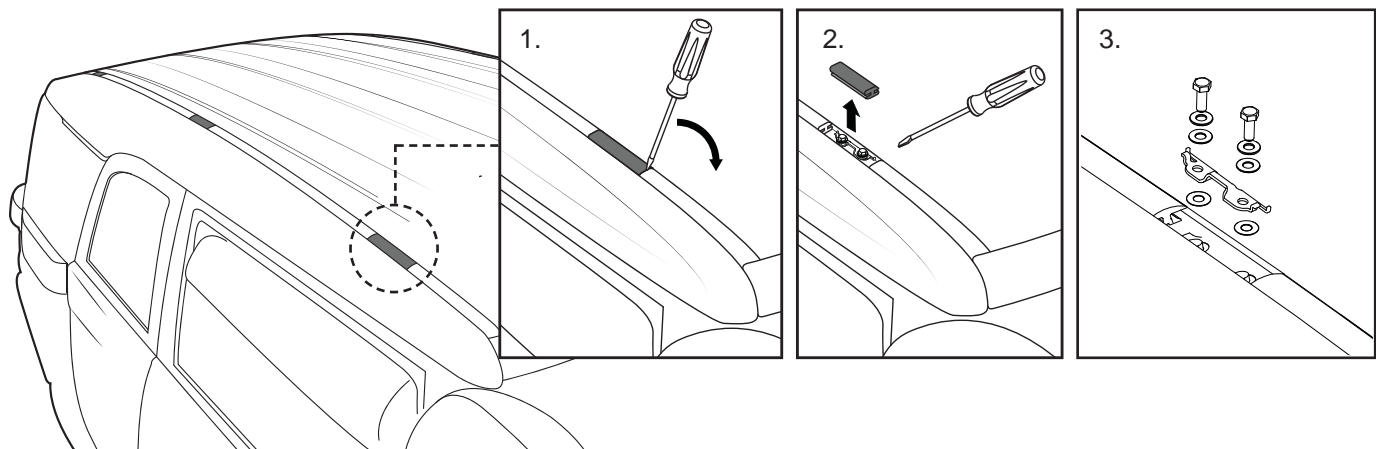
Item	Description	Qty	Part No.
1	M8x30 Socket HD Cap Screw	12	B190
2	M8 Spring Washer	12	W019
3	M8x17x2.5 Washer	12	W020
4	M8 Channel Nut	6	N003
5	M8x28x3 Flat Washer	6	W055
6	M8 Spring Washer	6	W019
7	M8x20 Hex Setscrew	6	B020-BLK
8	C63 Butyl Patch 40x25 M6 Hole	12	CA1260
9	FJ Cruiser Right Hand Rail	1	CA1363
10	FJ Cruiser Left Hand Rail	1	CA1364
11	Instructions	1	R492

### Tools Required:



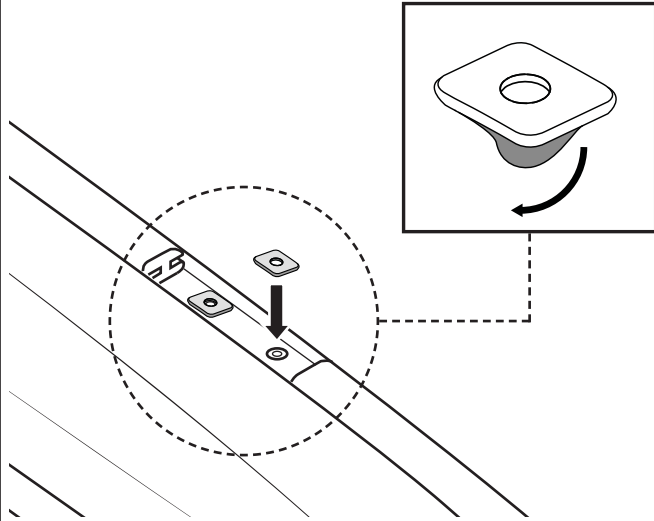
**1**

Move to the roof of the vehicle. Find the six mounting point covers (three per side). Remove by placing a flat head screw driver between the front end of the mounting point cover and the roof. Gently pry downward and remove the covers. Remove the two M8 bolts, washers and bracket. Note that these are not required to fit the Backbone, store these in a safe place.

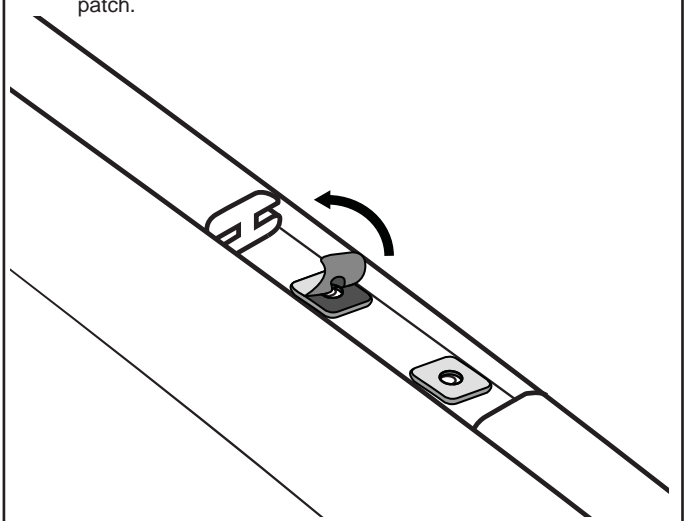


# Toyota FJ Cruiser Backbone - RFJB1

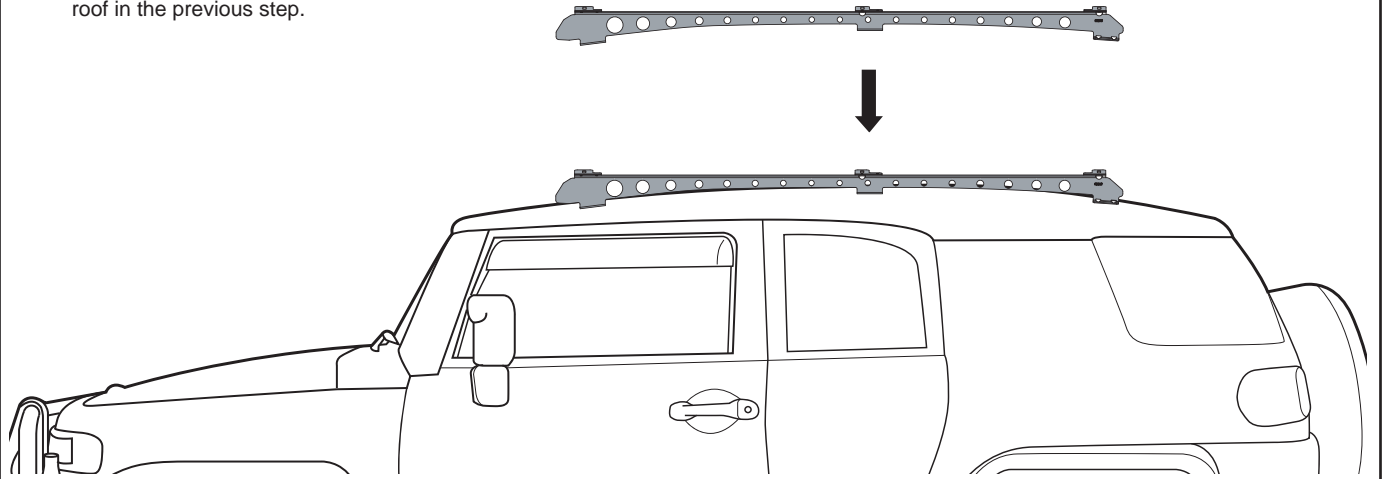
- 2** Peel the backing tape off the Butyl Patches. Place over the newly exposed mounting points on the roof.



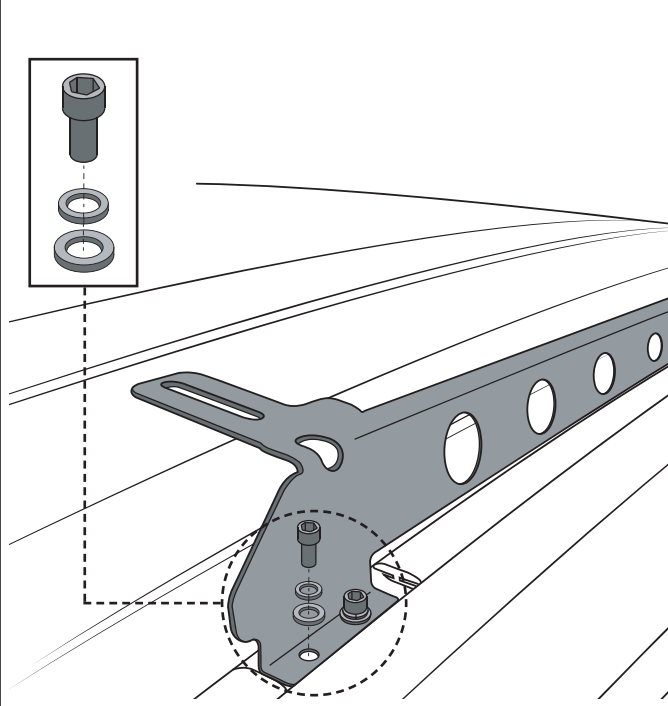
- 3** Peel the protective tape off the top of the Butyl Patches. This will expose an adhesive layer, use caution not to damage patch.



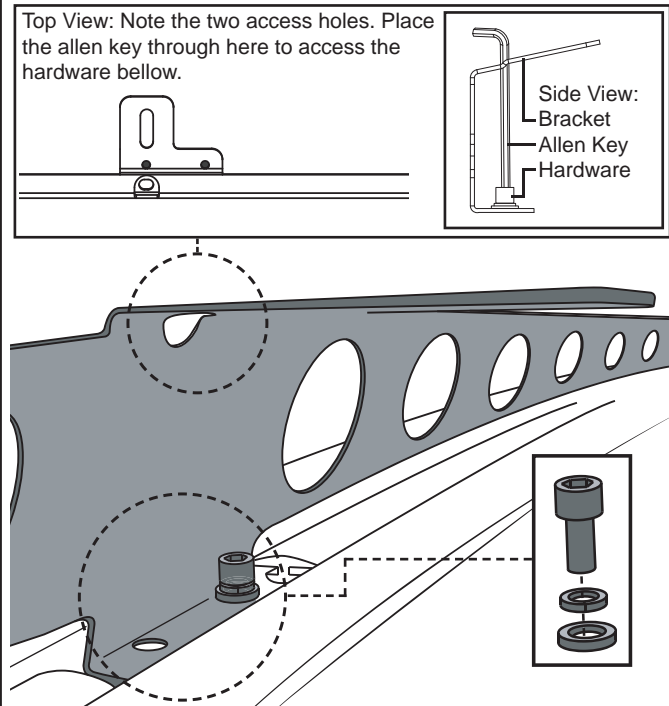
- 4** Place one side of the Backbone onto the roof of the vehicle. Line up the mounting points of the bracket to the those exposed on the roof in the previous step.



- 5** Using the M8 socket screw, M8 spring and flat washer fix the front mounting point on the bracket.



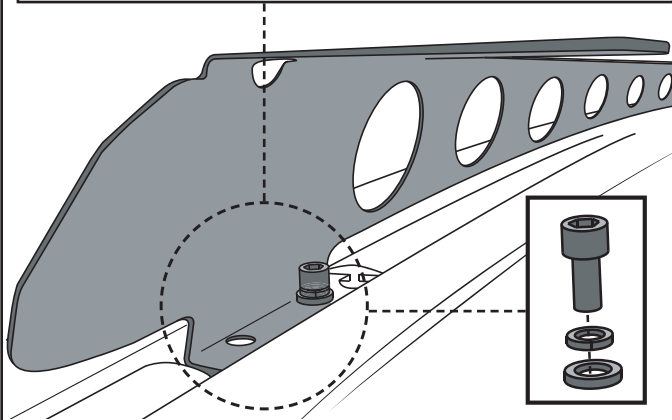
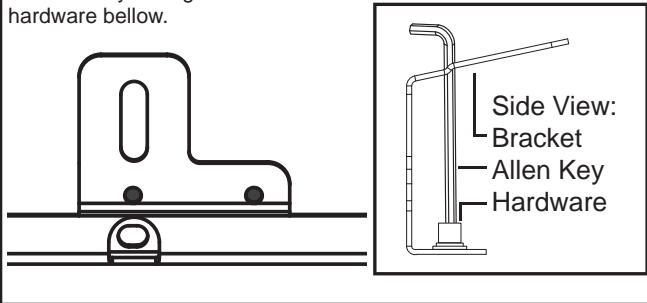
- 6** Using the M8 socket screw, M8 spring and flat washer fix the middle mounting point on the bracket.



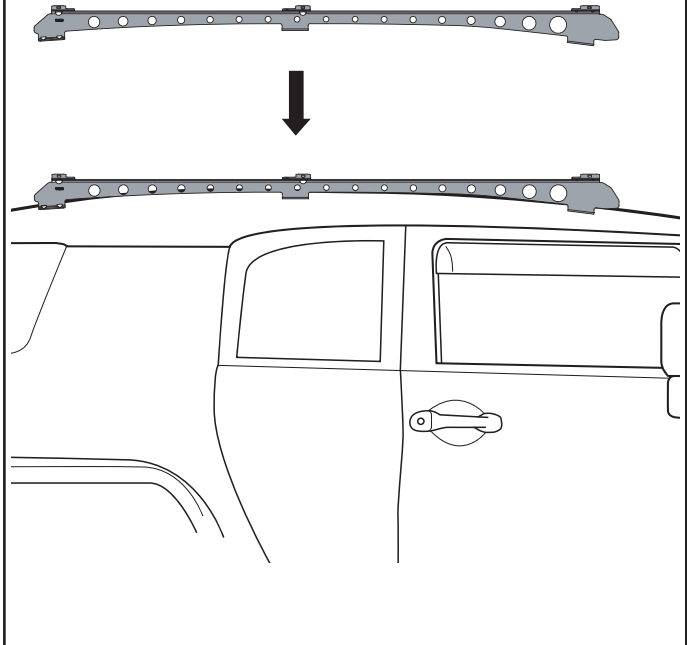
# Toyota FJ Cruiser Backbone - RFJB1

- 7** Using the M8 socket screw, M8 spring and flat washer fix the rear mounting point on the bracket.

Top View: Note the two access holes. Place the allen key through here to access the hardware below.

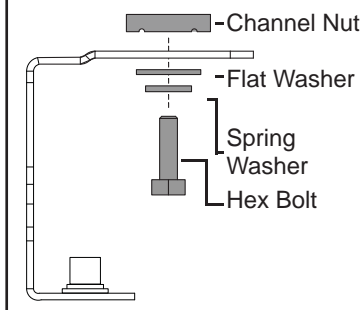


- 8** Place the opposing bracket onto the other side of the vehicle and repeat steps 5,6 and 7.



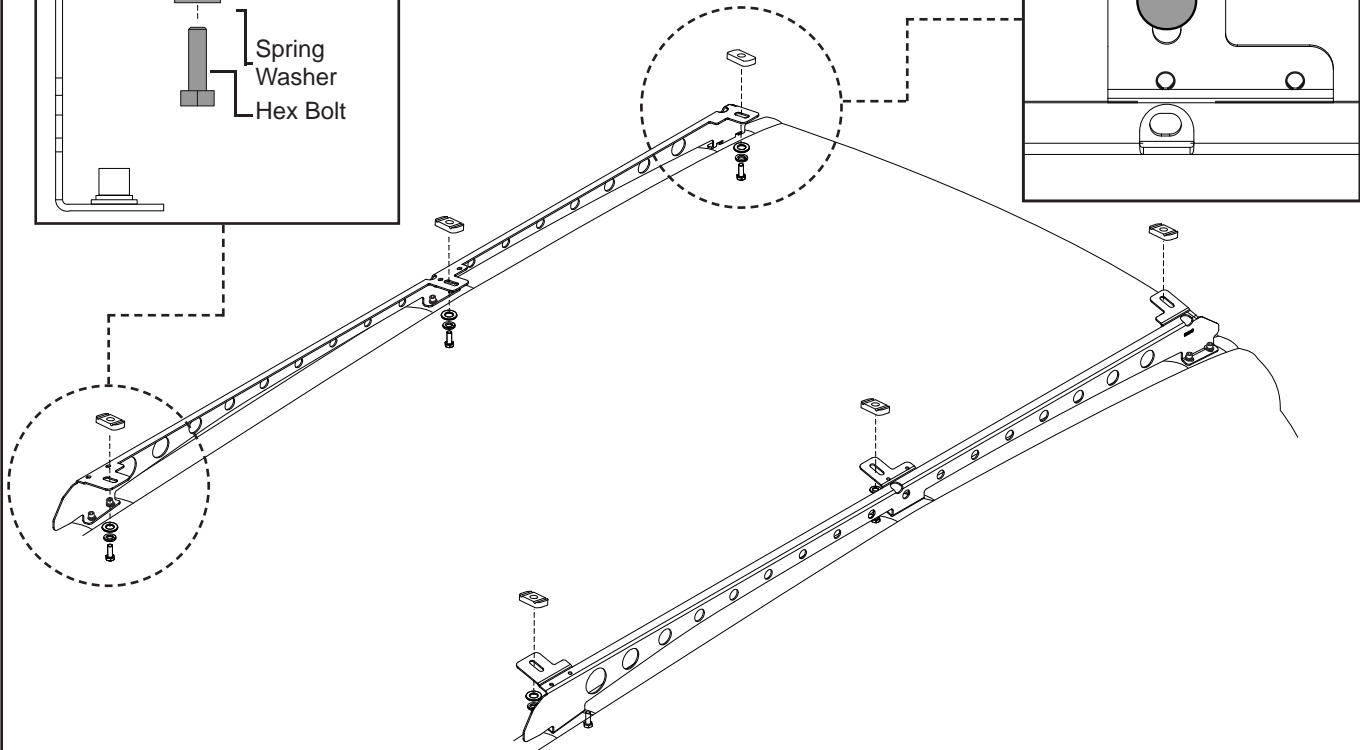
- 9** Install the M8x20 Hex Bolts, M8 Spring and Flat Washers. Slide these through the underside of Bracket and into the M8 Channel nuts as shown.

Side View of Bracket:



Top View:

Align the Channel Nuts as shown.

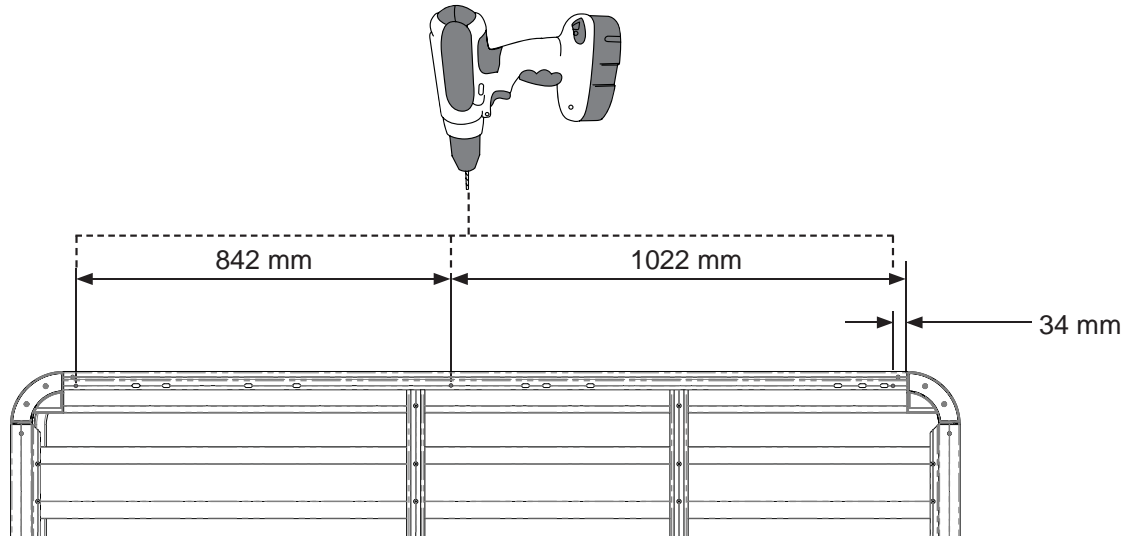


# Toyota FJ Cruiser Backbone - RFJB1

## Pioneer Fitment

**Note:** Pioneer Trays sold separately.

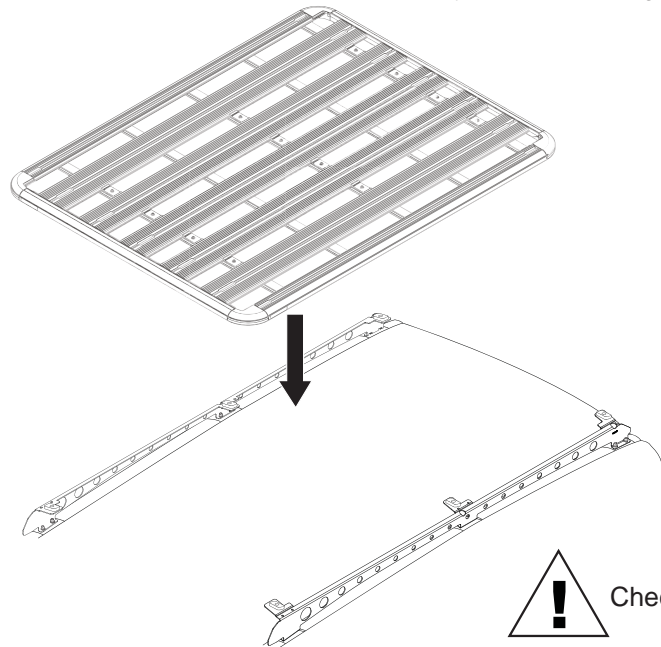
**Pioneer 4X104 & 4X107:** For fitment to the FJ Cruiser you will have to drill some additional holes in the tray. Drill  $\text{\O}8.5\text{mm}$  holes in the positions shown below, on both sides of the tray. Use these drilled locations to position the crossbars within the tray.



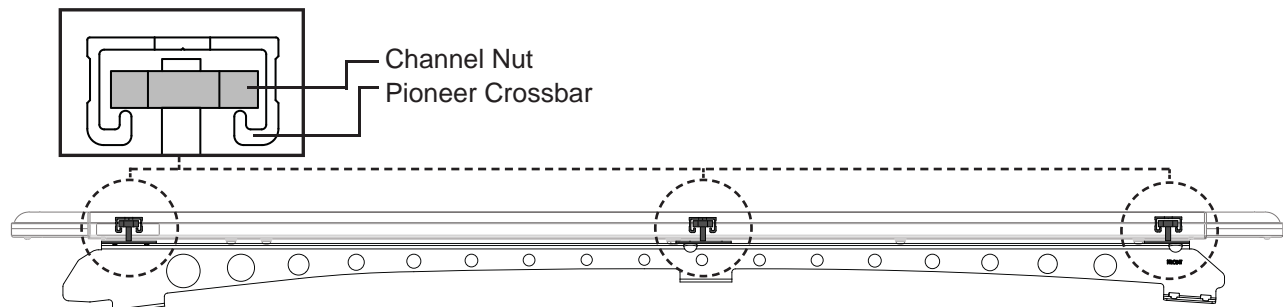
Front of Tray

**Pioneer Trays sold separately.**

**Pioneer 4X104 & 4X107:** Locate the Channel Nuts across the Pioneer Tray crossbars and tighten with a socket wrench.



**Side View:** The Channel Nuts will locate as shown.

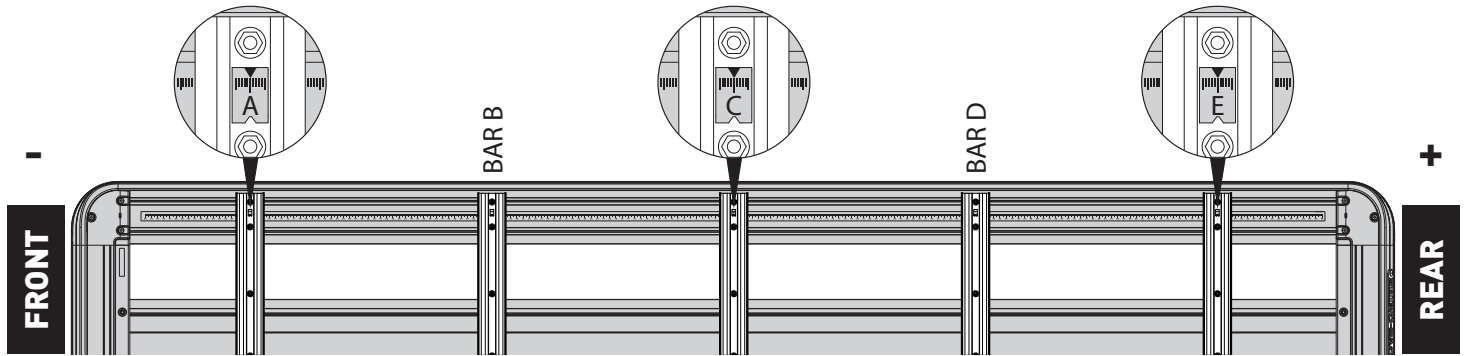


VEHICLE	PIONEER SIZE	CONNECTOR
TOYOTA FJ Cruiser	52107	RFJB1

<b>IMPORTANT NOTES</b>	Requires Kit SP309
------------------------	--------------------

REGION	AUS	NZ	USA	CA	EU	SA	ZA
AVAILABILITY	✓	✓	✓	✓		✓	
RUNNING DATES	Mar-11 -	-	-	-	-	-	-

## UNDERBAR SPACING



BAR NO.	A	B	C	D	E	F	G
DIMENSION (CM)	-91.9	-15.6	-7.7	48.4	91.1	-	-
SPACERS REQ'D	-	-	-	-	-	-	-

VEHICLE LOAD LIMIT (kgs / lbs)	SYSTEM WEIGHT (kgs / lbs) PLATFORM + CONNECTOR	ON-ROAD CARGO ALLOWANCE (kgs / lbs)	OFF-ROAD CARGO ALLOWANCE (kgs / lbs)
120 / 264.6	37.1 / 81.8	82.9 / 182.8	55.3 / 121.9

### NOTES FOR DEALERS / FITTERS

It is your responsibility to ensure these fitting instructions are given to the end user or client.

Document No: R2284  
Issue No: 0  
Issue Date: 21/10/2019

These instructions remain the property of Rhino-Rack Australia Pty. Ltd. and may not be used or changed for any other purpose than intended.