



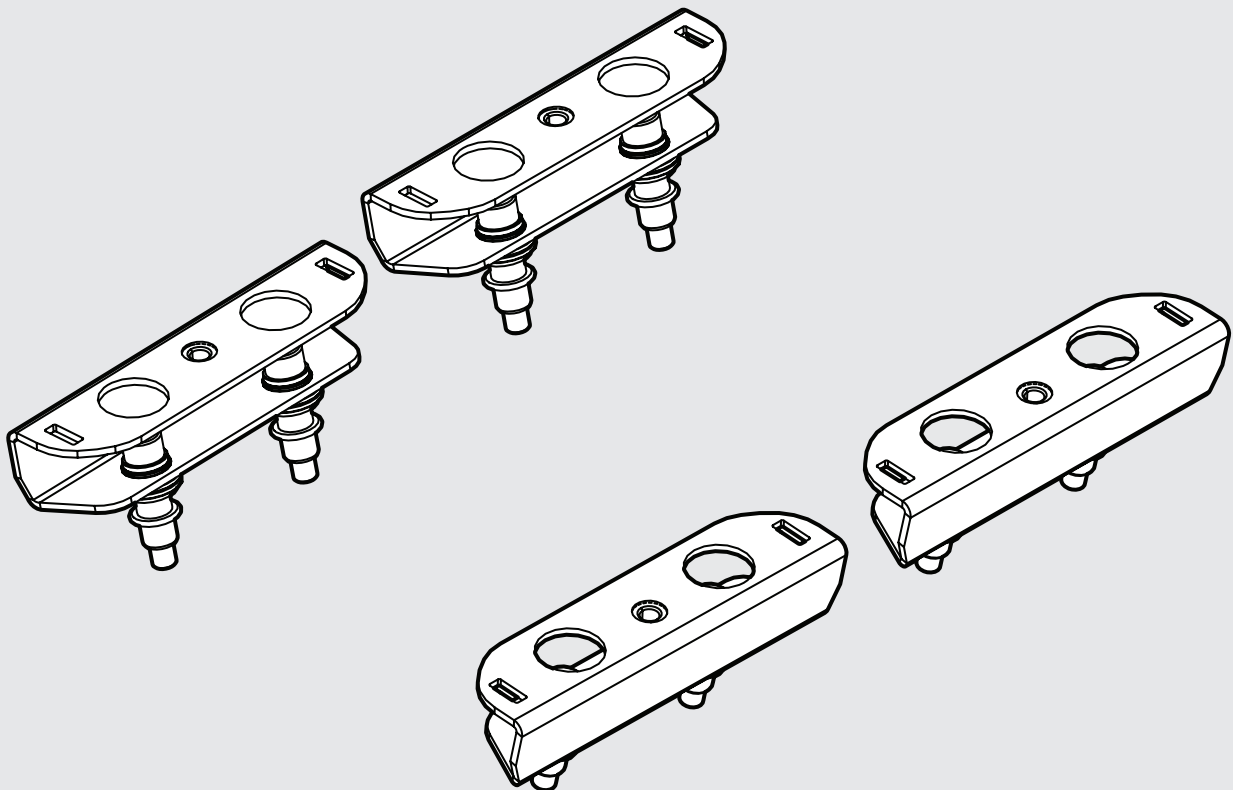
# RHINO-RACK®

## HYUNDAI STARIA/STARIA LOAD 2 BAR BASE KIT RCP77-BK

**Important:**

1. Check the Rhino-Rack website to ensure you have the latest issue of these instructions.
2. Please refer to your fitting instruction to ensure that the roof racks are installed in the correct locations.
3. Check the contents of kit before commencing fitment and report any discrepancies.
4. Place these instructions in the vehicle's glove box after installation is complete.
5. These instructions must be followed for warranty to be upheld.

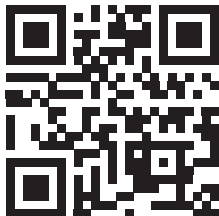
**Fit Time:** 90mins



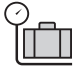
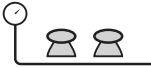



## Carrying Capacity


Check the website and the vehicle owners hand book for your vehicle manufacturer’s maximum carrying capacity. Load must be evenly distributed over the system.

VISIT THE ONLINE CALCULATOR FOR CURRENT SYSTEM LOAD LIMIT DATA



**DYNAMIC CROSS BAR LOAD LIMIT:**  
\*USE THE VEHICLE MANUFACTURER’S MAXIMUM ROOF ALLOWANCE IF IT IS LOWER THAN THE FIGURE LISTED

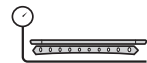
|  |  |   |   |   |
|--|--|---|---|---|
| <br>CARGO | <br>SYSTEM WEIGHT | <br>LOAD LIMIT |  | <br>Max kg |
| UP TO <b>95 KG</b><br><b>209 lbs</b>   | + <b>5 KG</b><br><b>11 lbs</b>   | = <b>100 KG</b><br><b>220 lbs</b>   | UP TO <b>100 KG</b><br><b>220 lbs</b>   |   |
|  |  | *VEHICLE MANUFACTURER’S ROOF LOAD LIMIT   |   |   |

 **STATIC LOAD LIMIT: UP TO 250 KG / 550 LBS\***



### Cargo Load Limit

Total permissible weight allowed on top, and attached to roof racks whilst the vehicle is in motion.



### System Weight

Total weight of the roof rack system. (e.g. Crossbars, Backbone, Platform)



### Max System Load Capacity

Please ensure you use the vehicle manufacturer’s maximum roof allowance if it is lower than the figure listed in the fitting chart/ supplement.



### Vehicle Manufacturer’s Load Limit

Total permissible weight attached to the roof of the car. This is inclusive of the weight of the roof rack system.

## Warning

- Check part number or kit is correct for use with your vehicle.
- Do not attempt to fit the rack system to your vehicle unless you fully understand these fitting instructions. Please direct any questions regarding fitting to the dealer from where the roof racks were purchased.
- Off-road conditions can be much more rigorous. Extreme care must be taken on any driven path that does not contain a surface protection layer (tar/bitumen).
- Roof racks must be removed when vehicle is put through an automatic car wash.
- With utility vehicles, the cabin and the canopy move independently. Roof racks and vehicle can be damaged if the item transported is rigidly fixed at points on both the cabin and canopy. Instead, rigidly fix to either the cabin roof racks or the canopy roof racks.
- Always ensure you fasten your load securely.
- Use only non-stretch fastening ropes or straps to attach cargo to your load.

## RCP77-BK Instructions

---

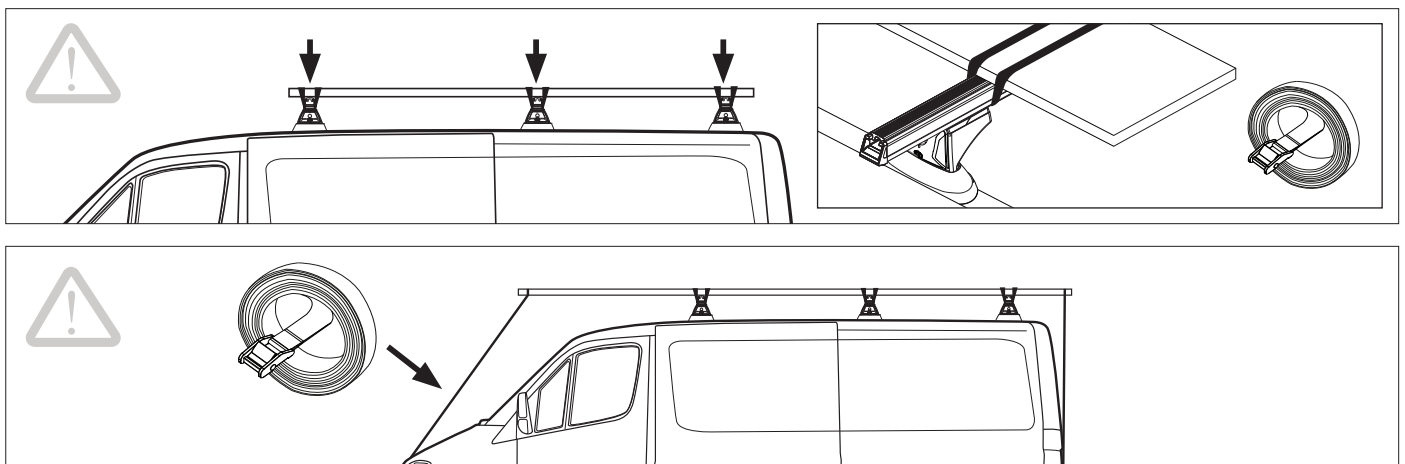
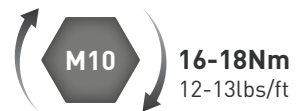
### In service maintenance checks

---

- All bolt connections should be checked after driving a short distance when you first install your roof racks.
- All bolted connections should be checked again at regular intervals (weekly is recommended, depending on road conditions, usage, loads and distances travelled).
- All bolted connections should be checked each time they are re-fitted.
- Off-road conditions are more rigorous. Check all bolted connections and your load more regularly.
- Ensure that your vehicle manufacturer's GVM, and gross axle weights are not exceeded (refer to vehicle owner's manual).

#### Torque Settings:

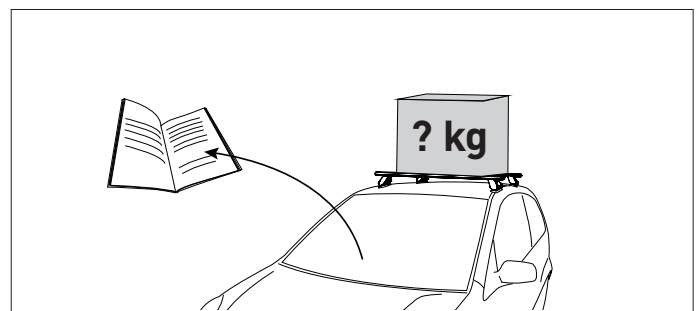
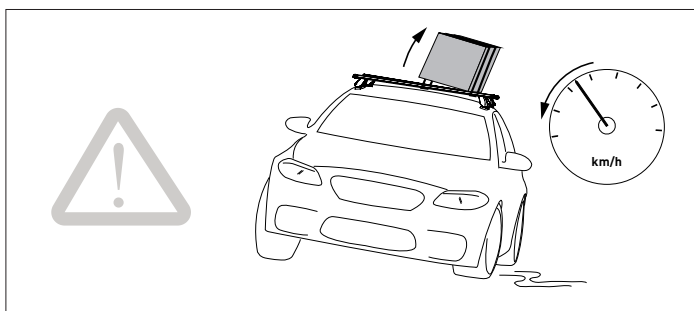
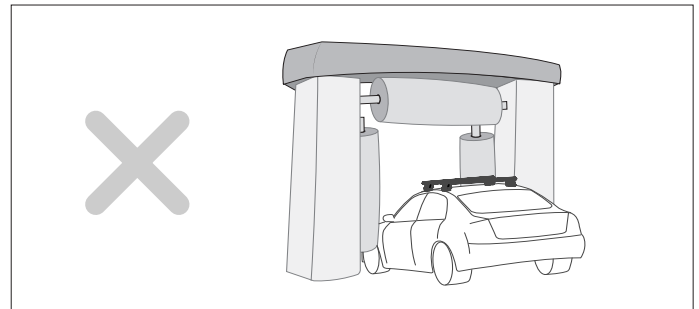
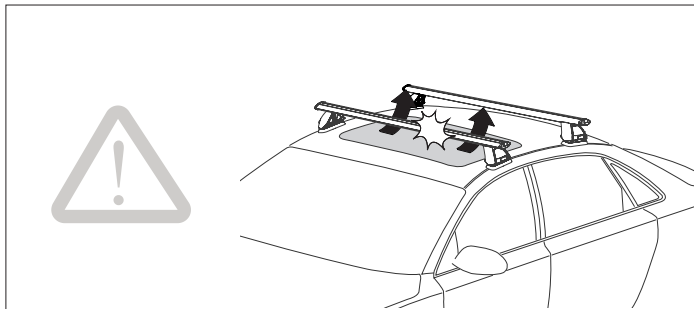
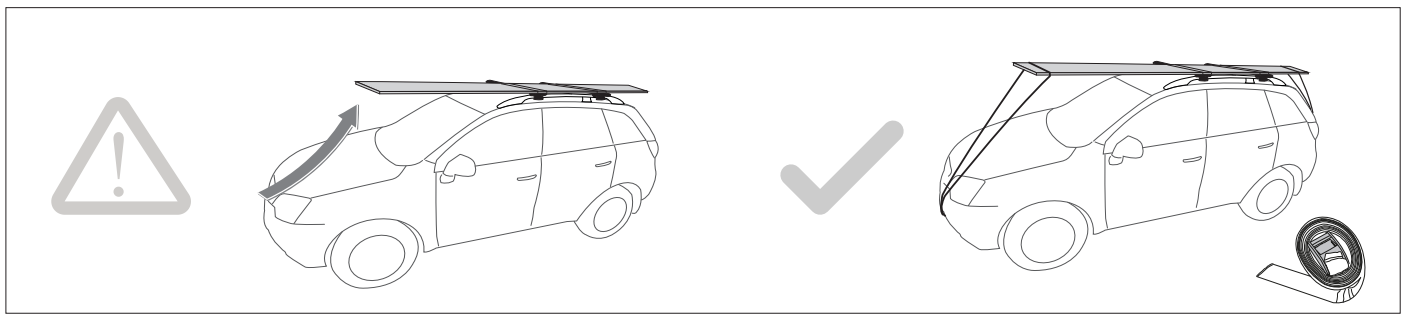
Unless stated otherwise in these instructions, all fasteners should be set to the following torque settings:



### Note for Dealers and Fitters

---

It is your responsibility to ensure these fitting instructions are given to the end user or client. These instructions remain the property of Rhino-Rack Australia Pty. Ltd. and may not be used or changed for any other purpose than intended.



The handling characteristics of the vehicle changes when a load is transported on the roof. Exercise extreme care when transporting wind-resistant loads. Special consideration must be taken when cornering and braking.

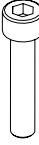
Off-road conditions can be much more rigorous. Extreme care must be taken in off-road conditions.

Ensure Ladder is well supported on the ground to support tent. Take extreme caution when climbing heights above 1.2m/4ft.

Paddle/ Surfboards should be fixed to the front of the vehicle.

# RCP77-BK Instructions

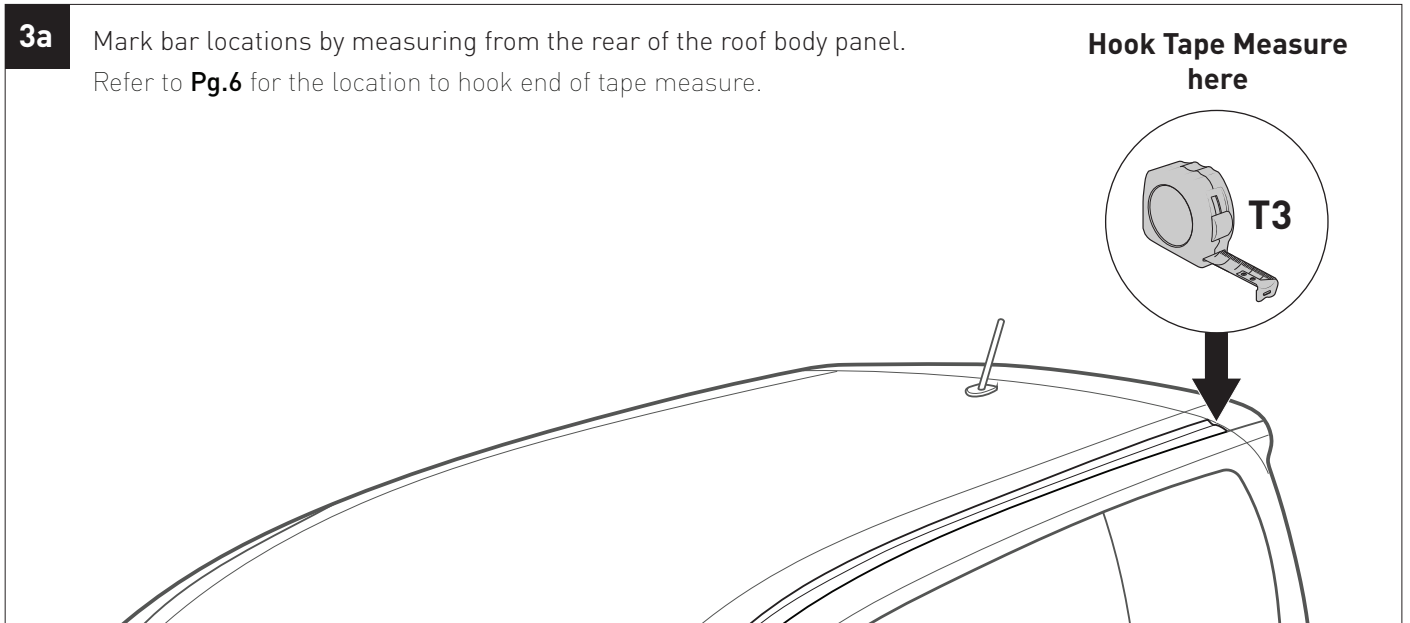
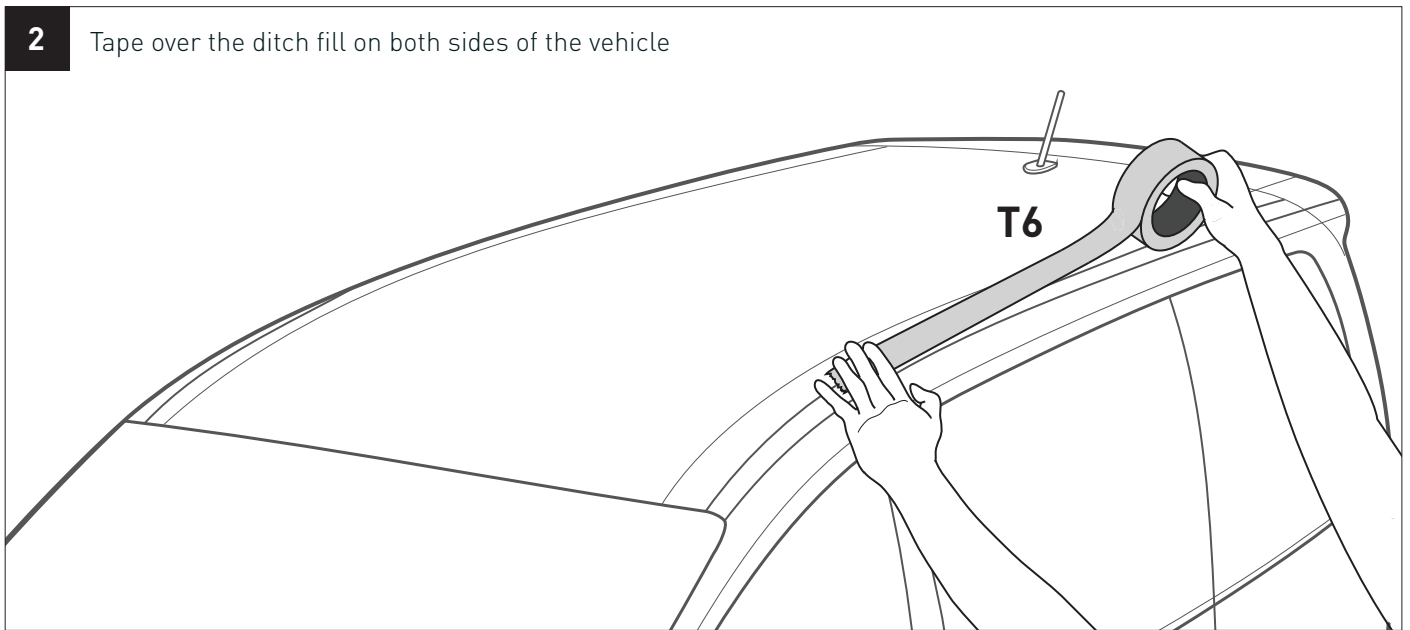
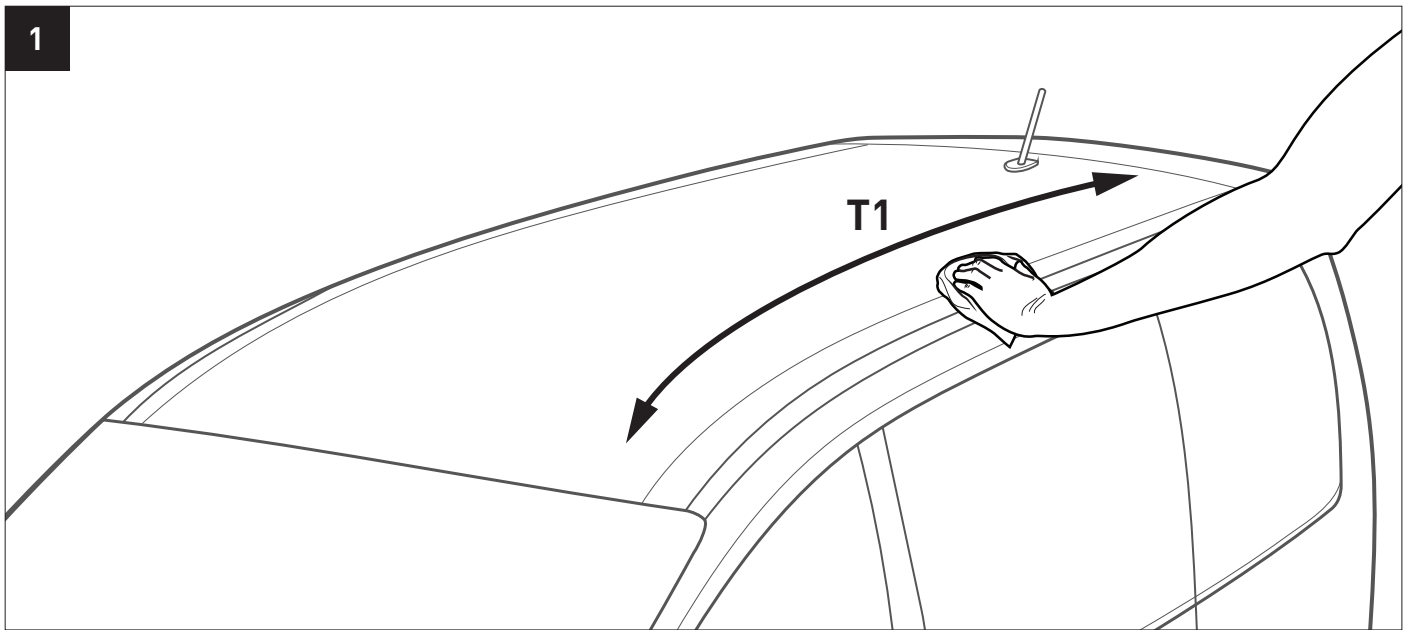
## Parts List (2 Bar Setup)

|   |   |  |   |
|---|---|--|---|
| <p>Mount Brackets</p>  <p><b>A</b> x4</p>                              | <p>45 x 25 Butyl Patch</p>  <p><b>B</b> x8</p> | <p>20 x 20 Butyl Patch</p>  <p><b>C</b> x8</p> | <p>Rivet Nut</p>  <p><b>D</b> x8</p>                     |
| <p>M6 x 30 Socket Head</p>  <p><b>E</b> x8</p>                         | <p>M6 Spring Washer</p>  <p><b>F</b> x12</p>   | <p>M6 Flat Washer</p>  <p><b>G</b> x12</p>     | <p>Ditch Fill Removal Tool Shank</p>  <p><b>H</b> x1</p> |
| <p>Ditch Fill Removal Tool Cutting Mouldings</p>  <p><b>I</b> x3</p> | <p>Torque Tool</p>  <p><b>J</b> x1</p>        | <p>M8 Washer</p>  <p><b>K</b> x16</p>        | <p>M6 x 20mm Hex Head Screw</p>  <p><b>L</b> x4</p>    |
| <p>Instructions</p>  <p><b>M</b> x1</p>                              | <p>Drilling Jig</p>  <p><b>N</b> x1</p>      |  |   |

### Tools Required:

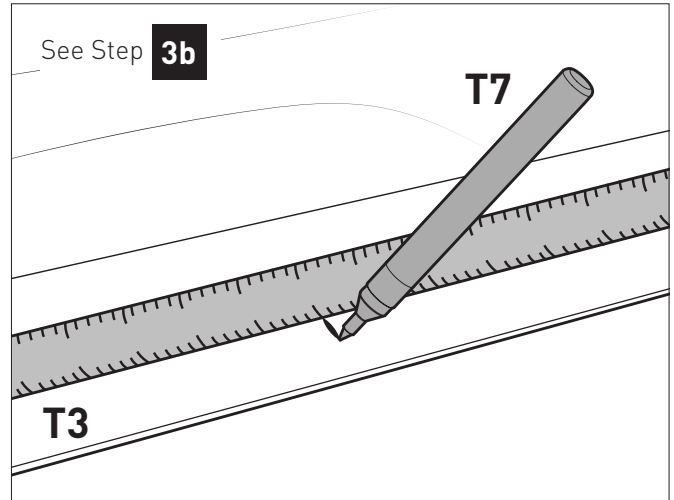
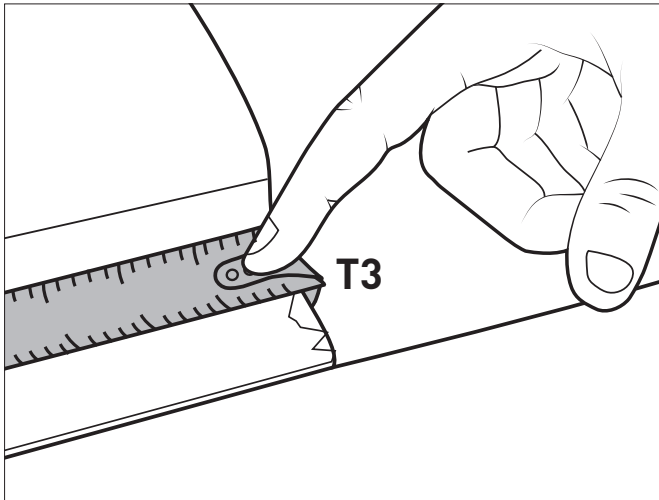
- T1 - Cloth
- T2 - Vacuum
- T3 - Measuring Tape
- T4 - Cold Galvanising Paint
- T5 - Cotton Tips
- T6 - Masking Tape
- T7 - Marker
- T8 - Knife

- T9 - Drill
- T10 - 3mm Drill Bit
- T11 - 6mm Drill Bit
- T12 - 9mm Drill Bit
- T13 - Drill Stop
- T14 - Mallet
- T15 - Pin Punch
- T16 - Centre Punch
- T17 - Rivet nut gun
- T18 - 10mm Ring Spanner



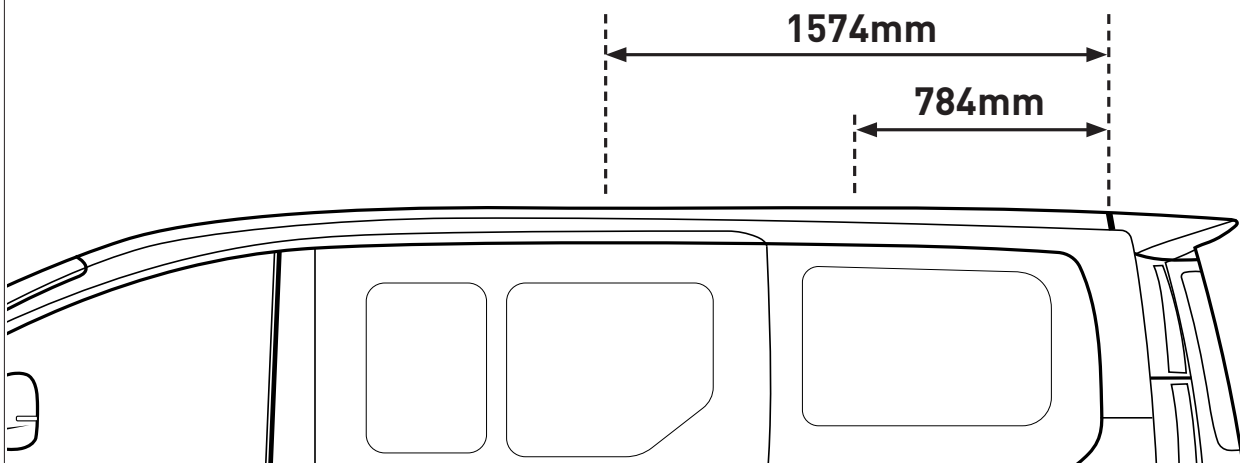
One person to hold the tape end down from the end of the roof panel sheet metal.

The other person marks the centre of the ditch for the bar locations on both sides of the vehicle.



**3b 2 CROSS BAR CONFIGURATION**

- Use the below dimensions to mark the cross bar mounting points.



**4**

**T7**

Use **N** to align the V-cut indicator from the jig/bracket to mark hole centres.

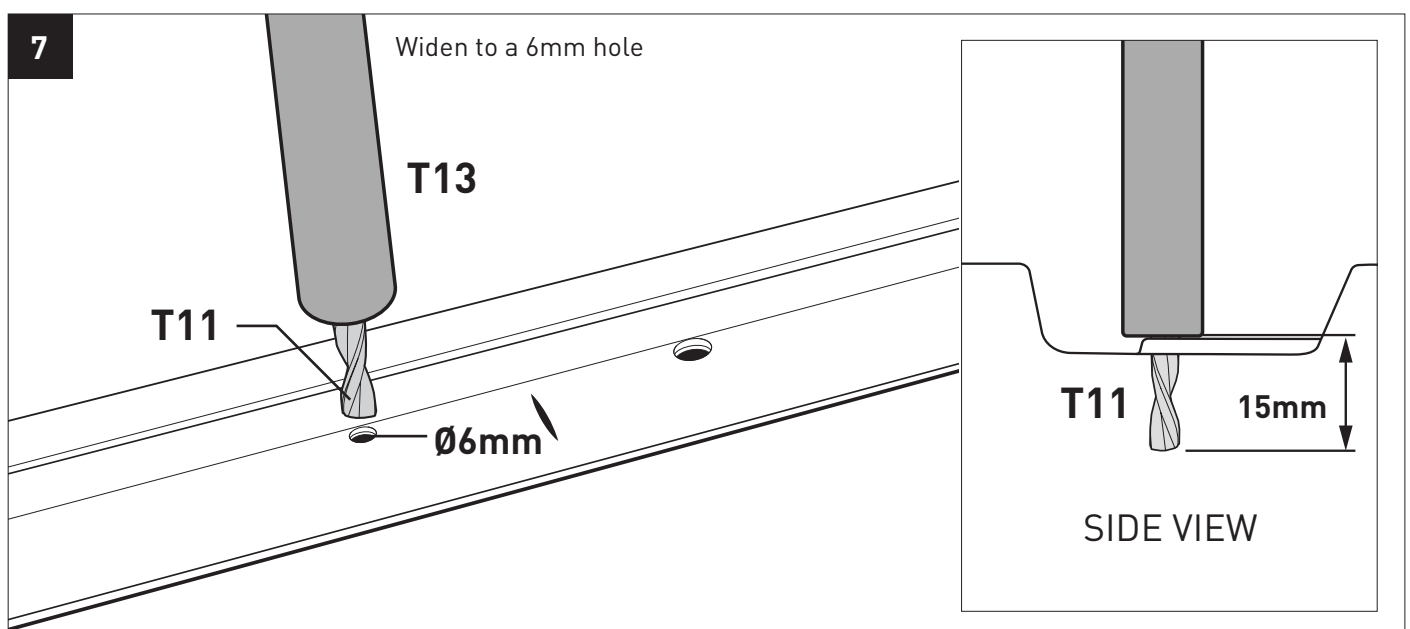
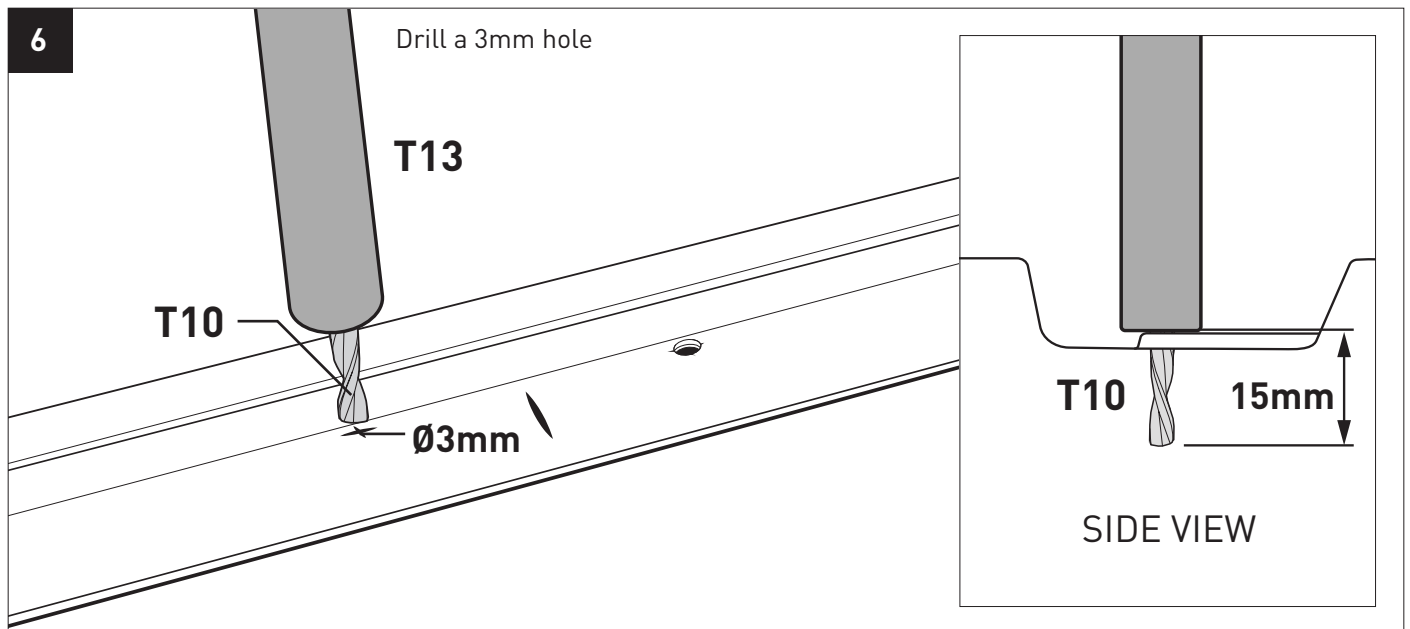
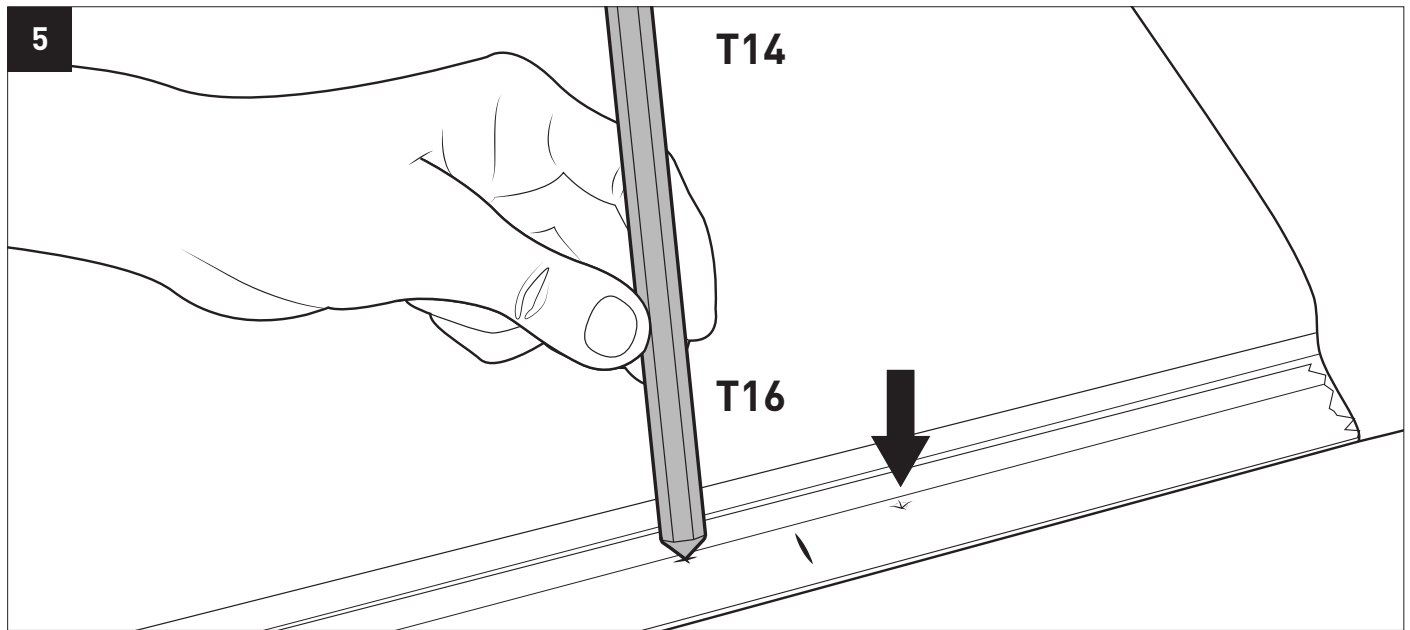
↑ CENTRE OF VEHICLE

**N**

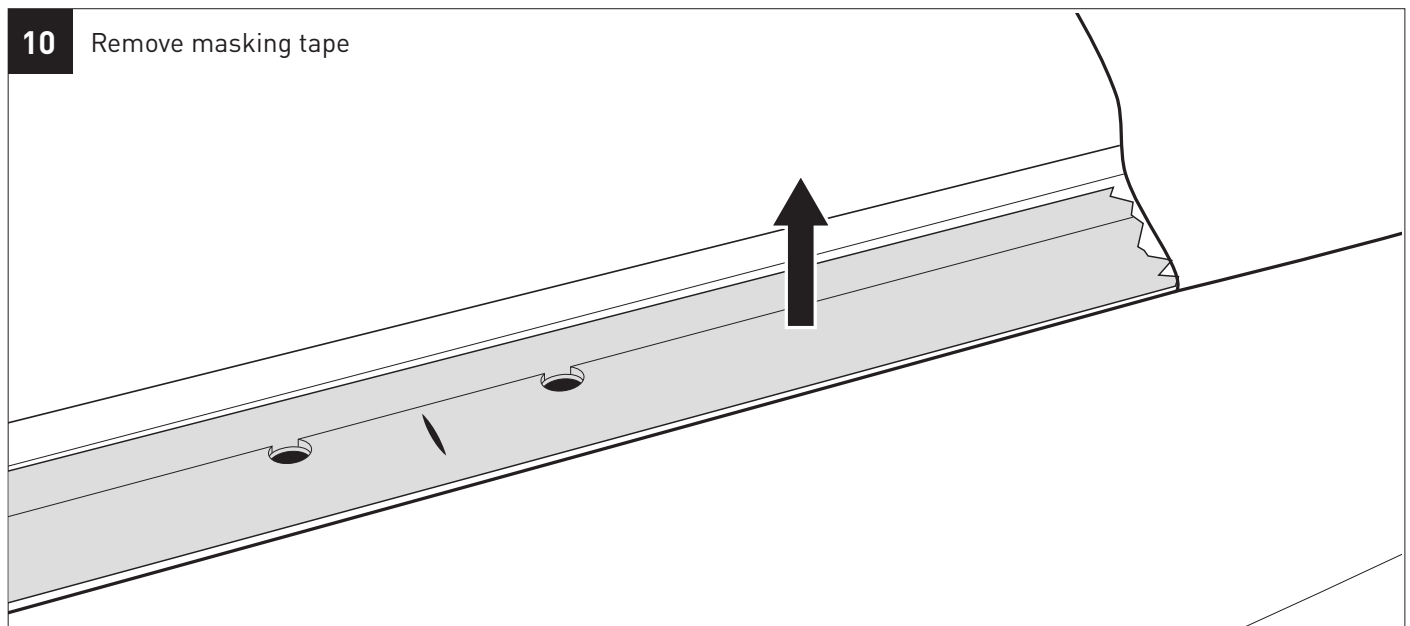
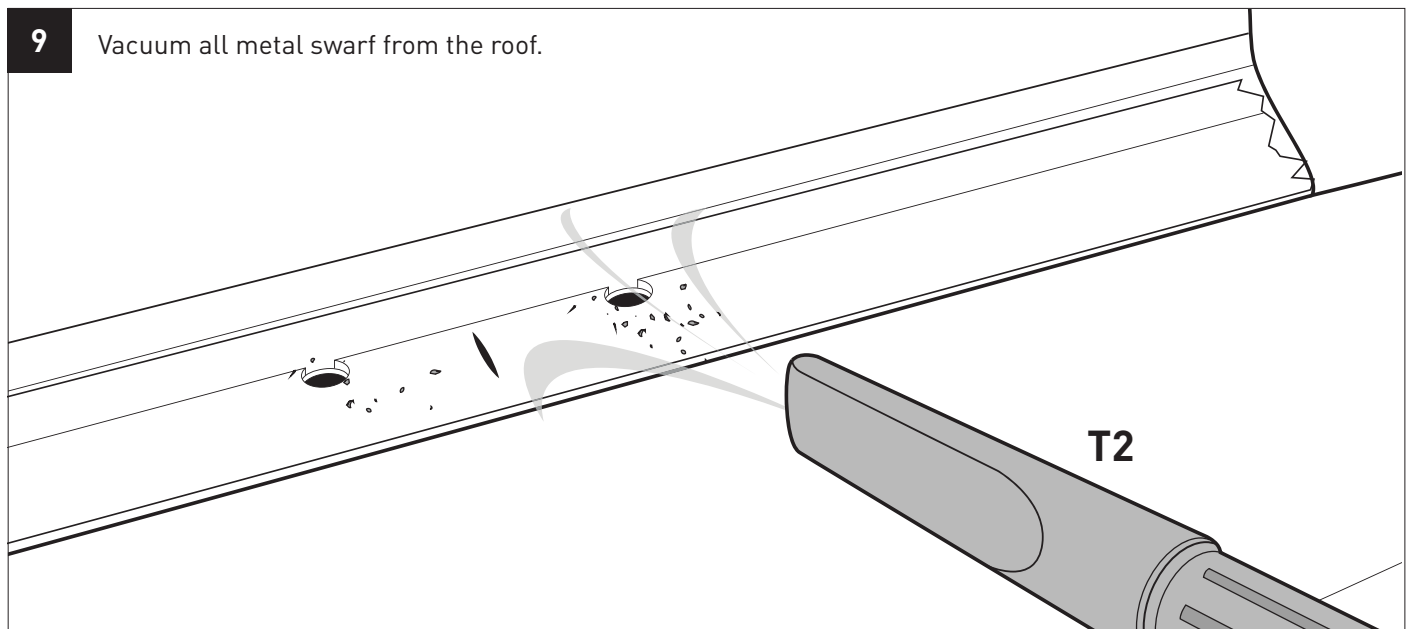
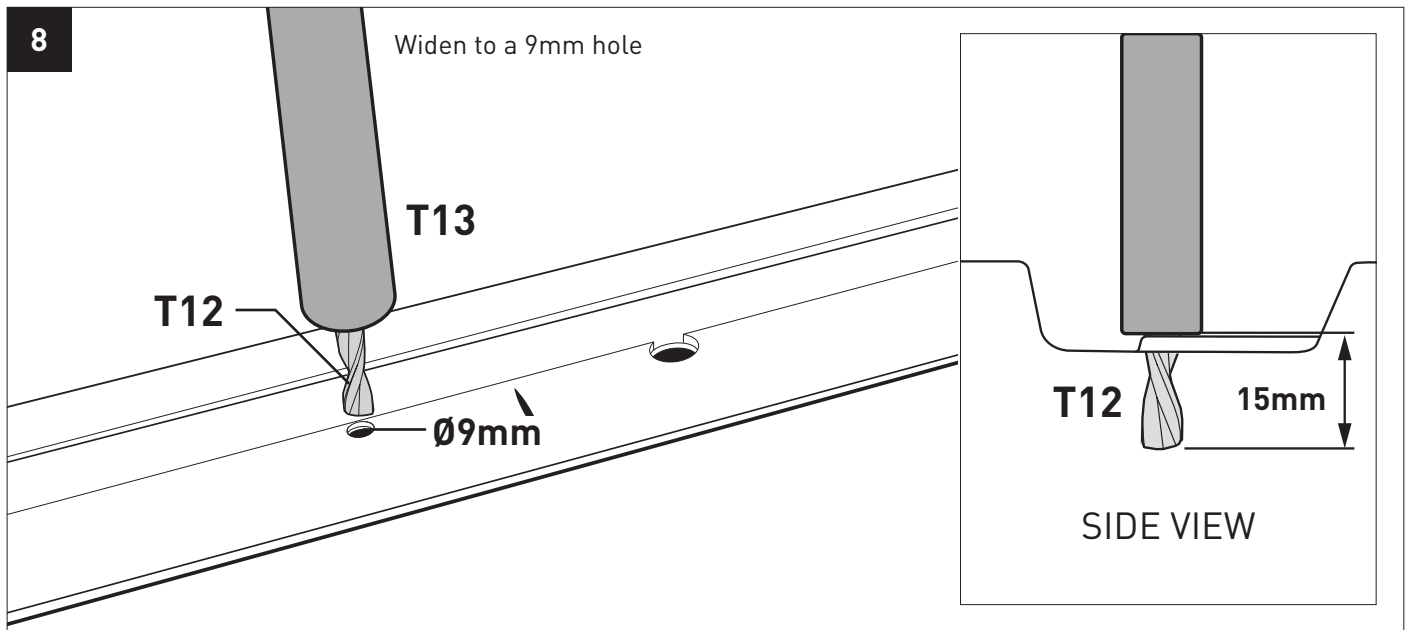
**T7**

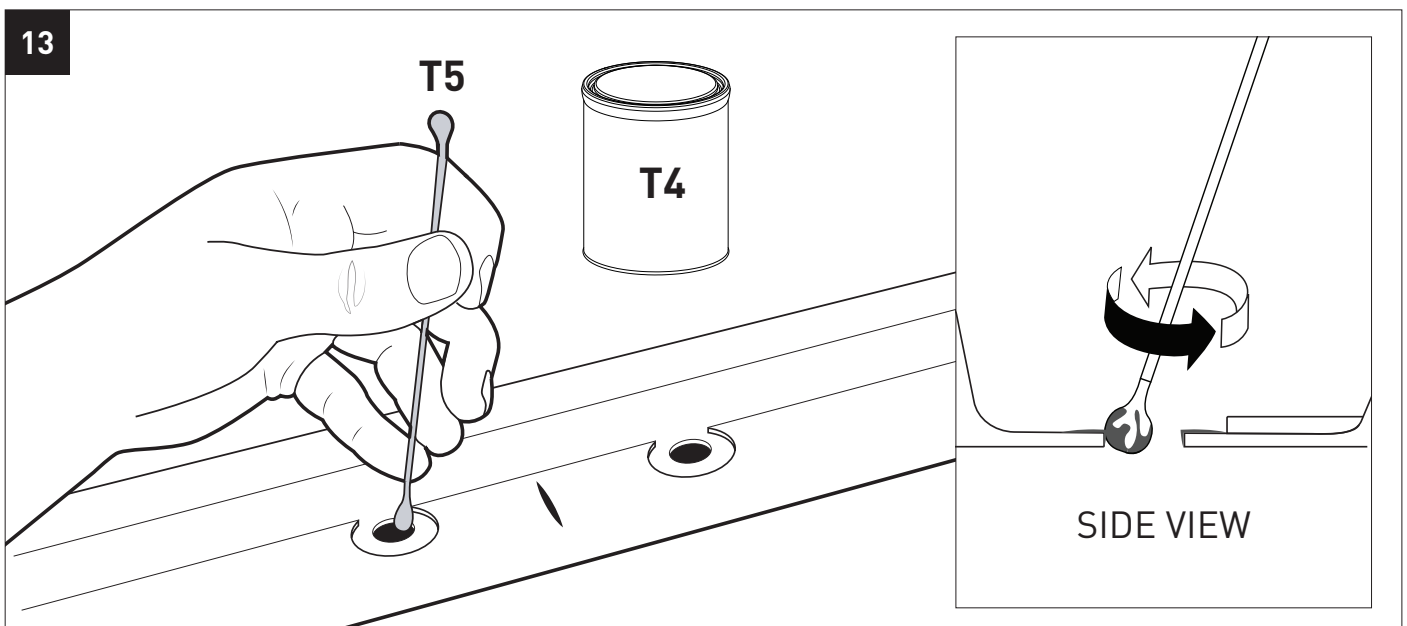
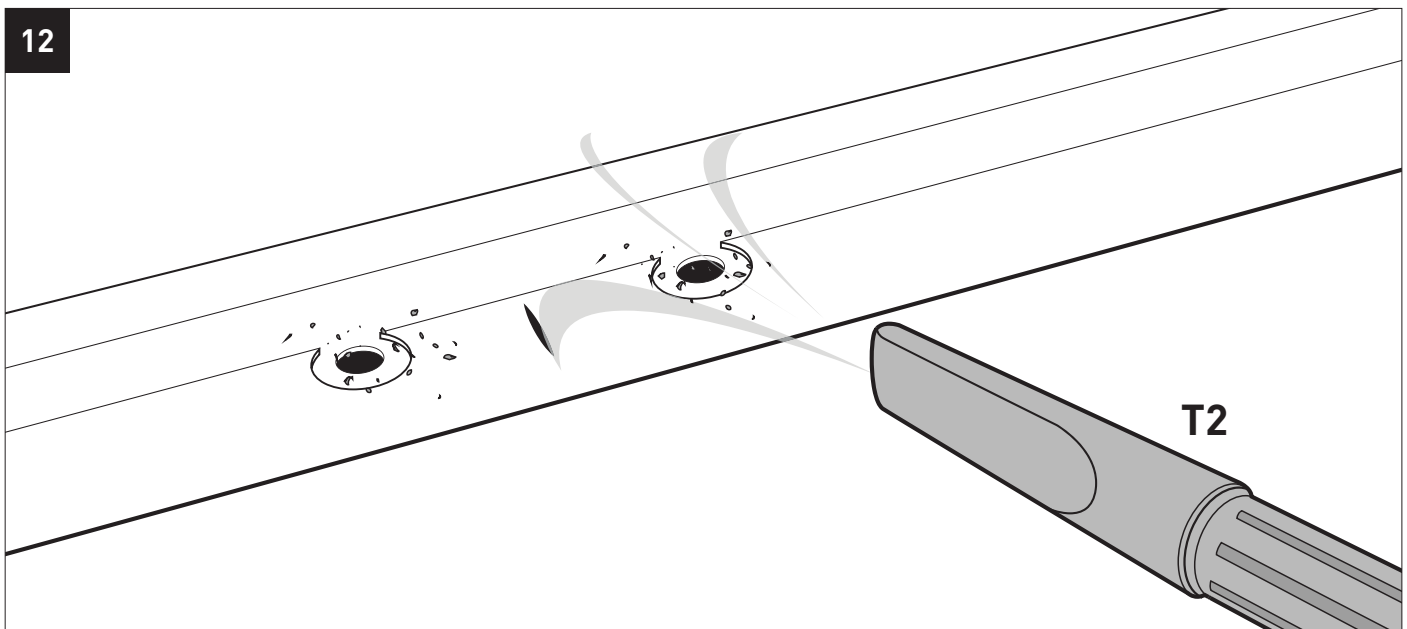
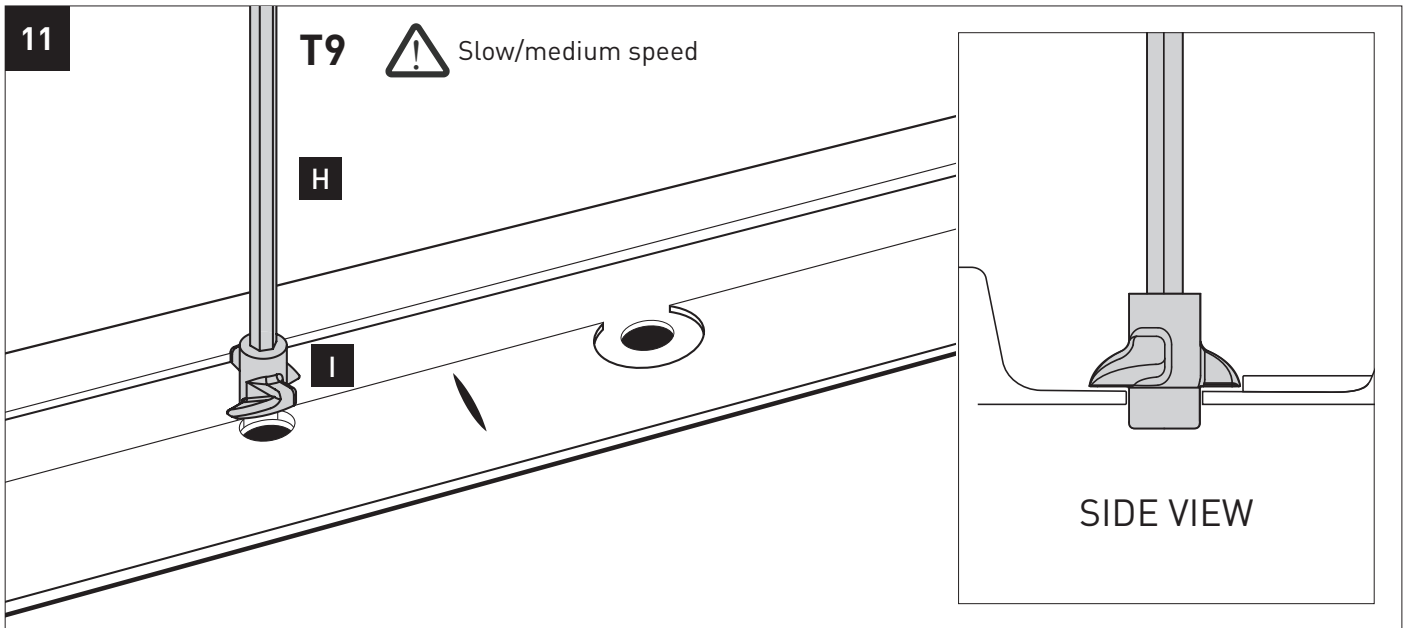
Inside edge of ditch

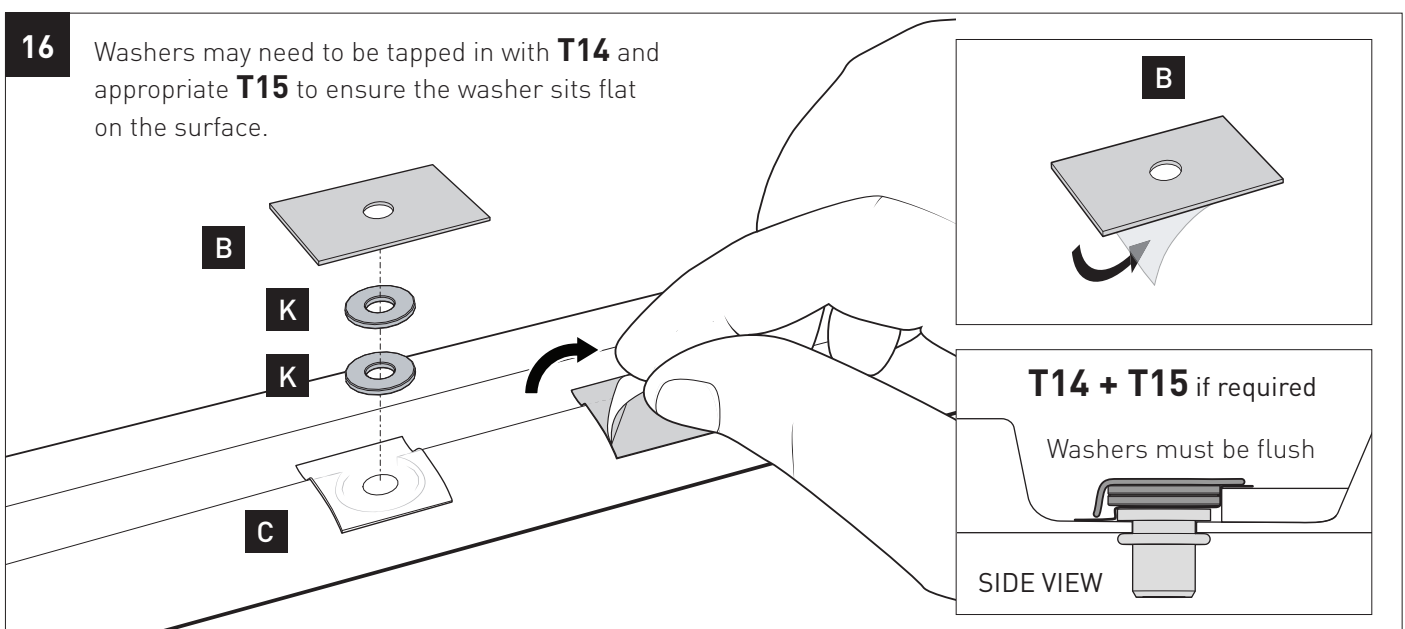
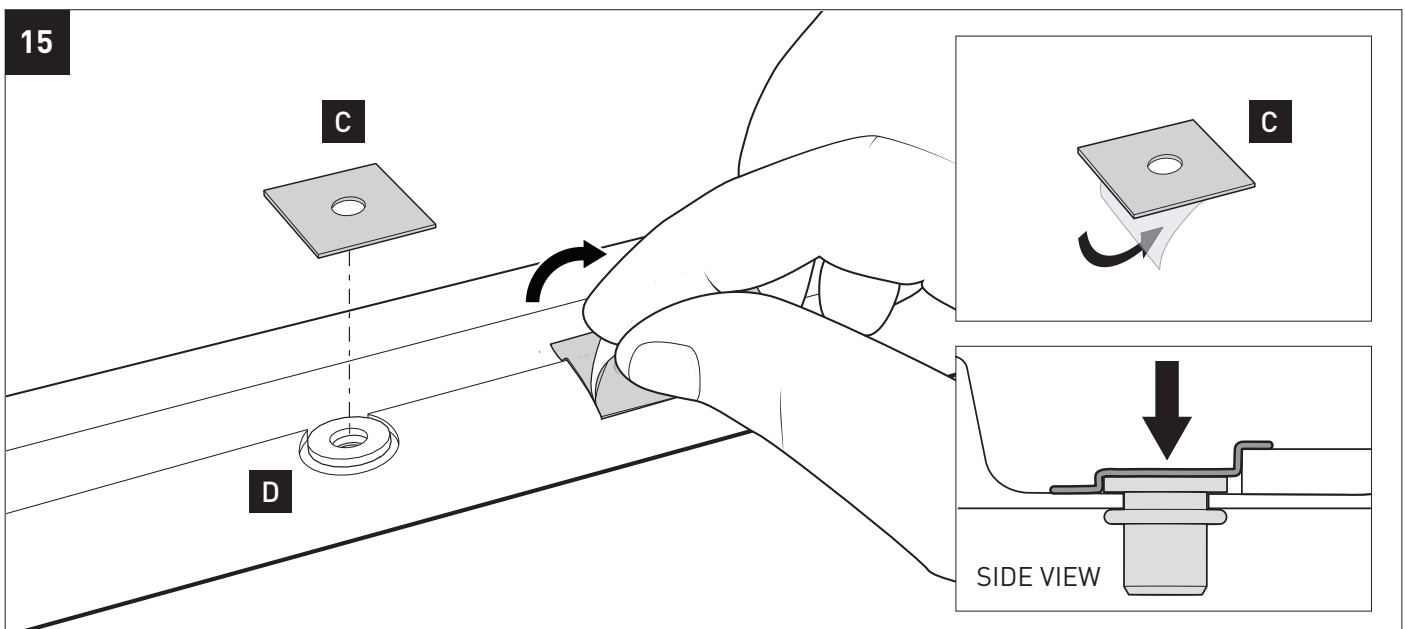
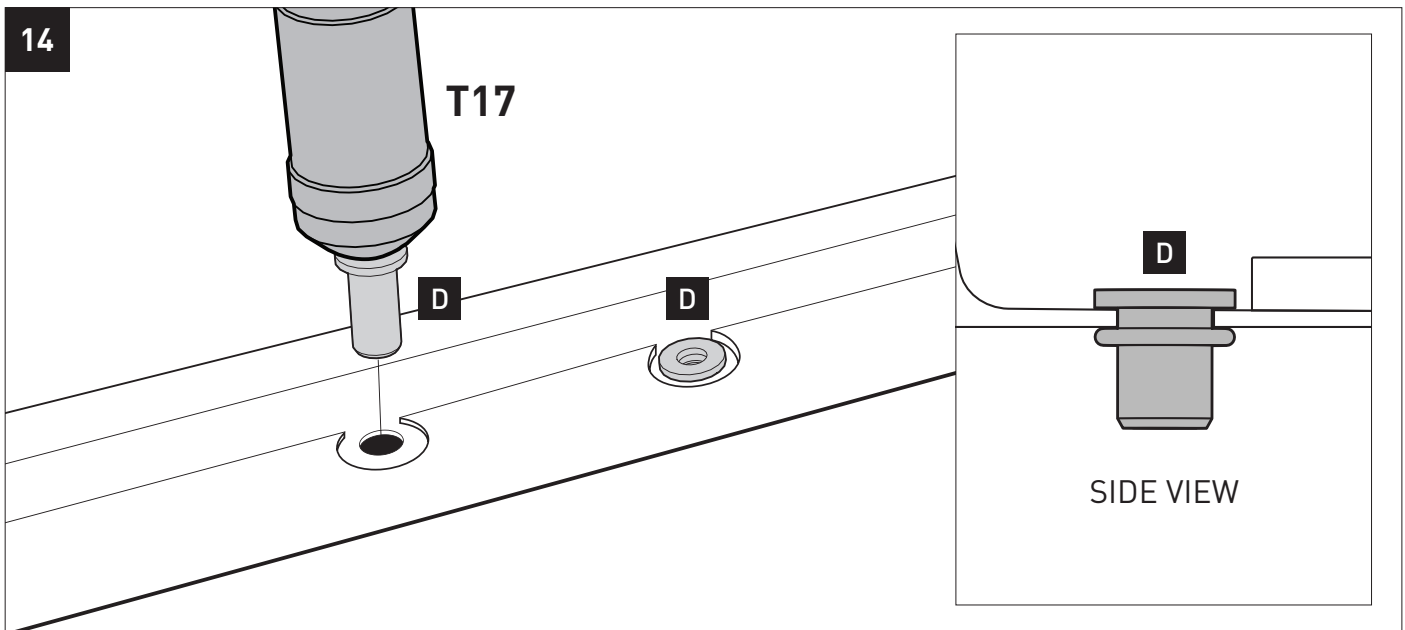
← SIDE VIEW





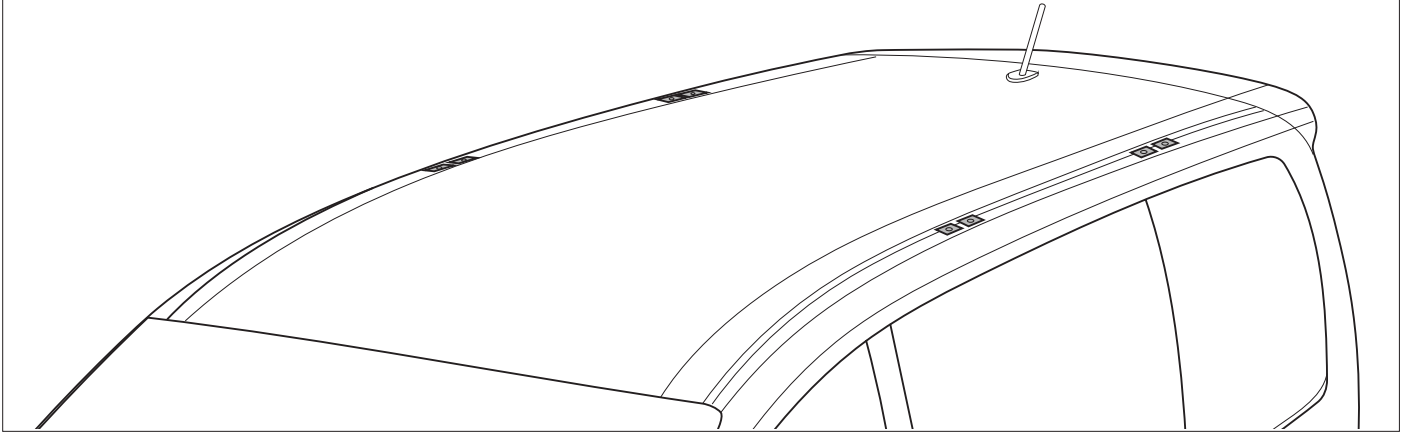




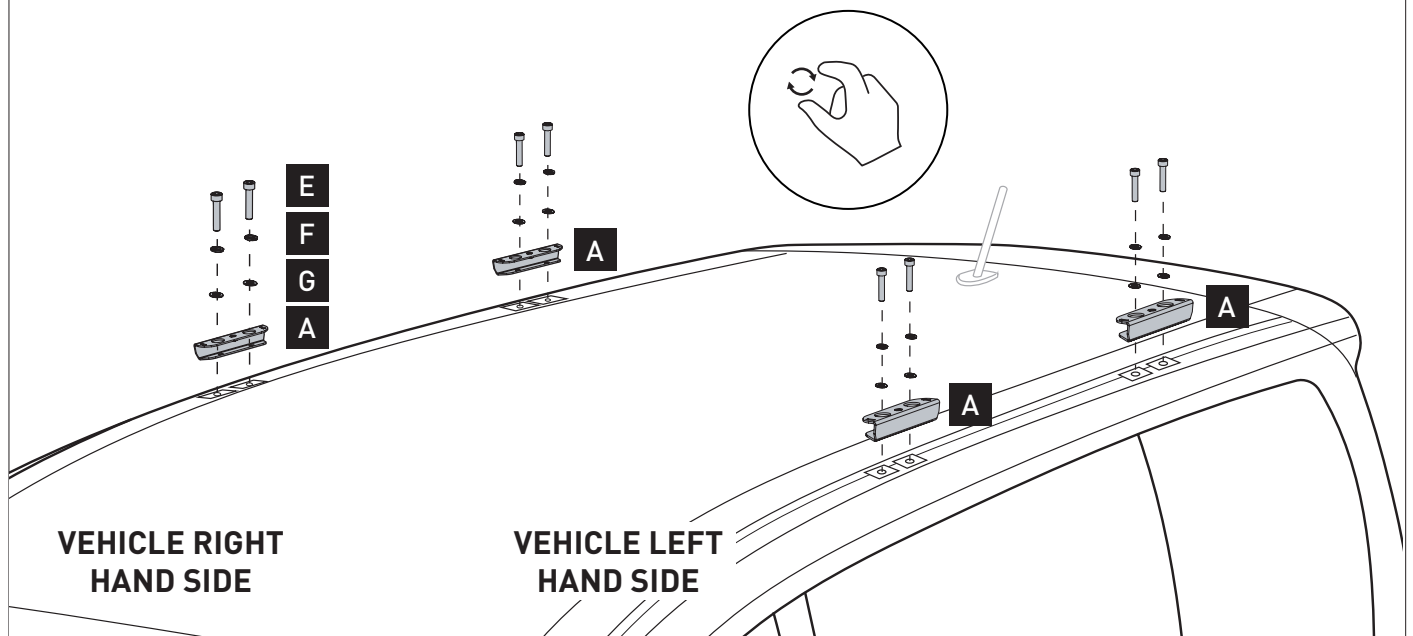


**17** Repeat Steps **4** - **16** to all other marked locations on the roof.

- 8 drilled holes (4 locations)

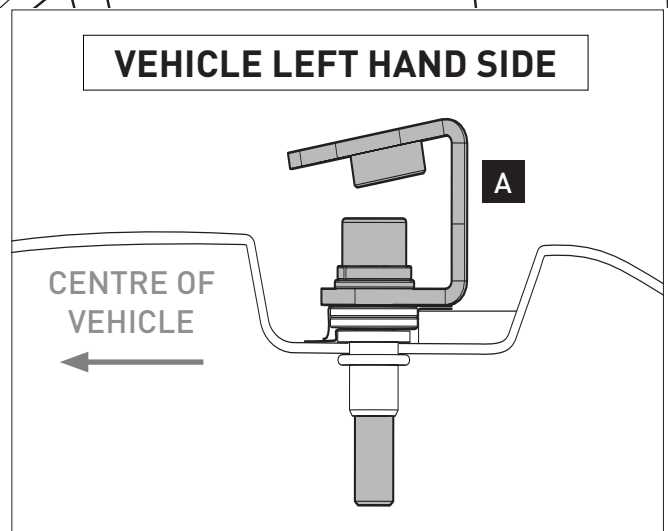
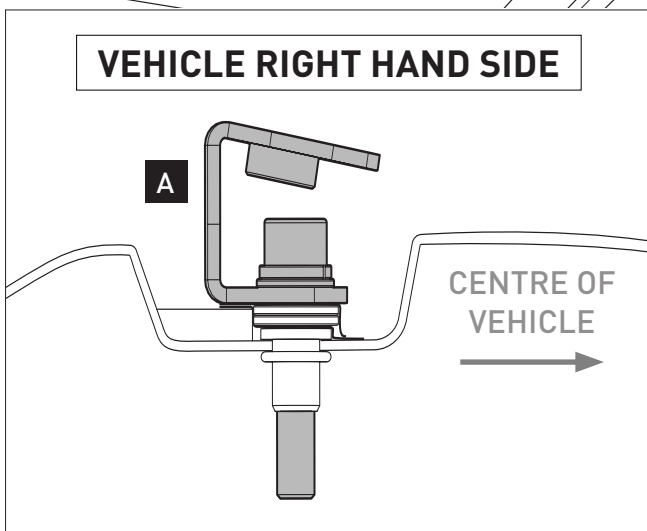


**18** Finger tighten fasteners and brackets into **all drilled locations**.

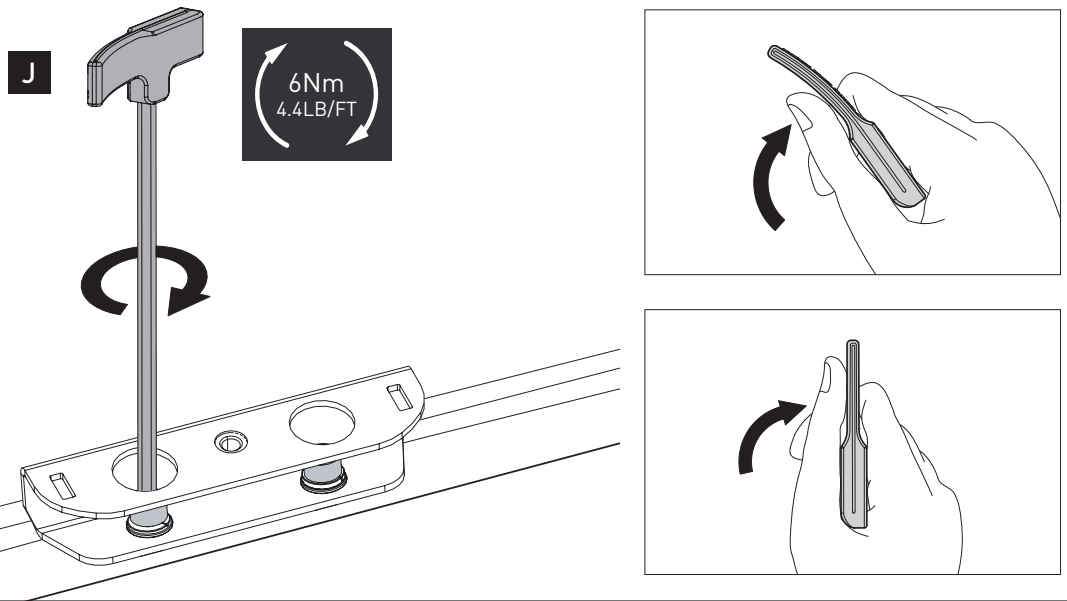


**VEHICLE RIGHT HAND SIDE**

**VEHICLE LEFT HAND SIDE**



19



20

Finger tighten leg hardware and then use a 10mm ring spanner to tighten incrementally.

Refer to **Page 13** for cross bar configurations.

