

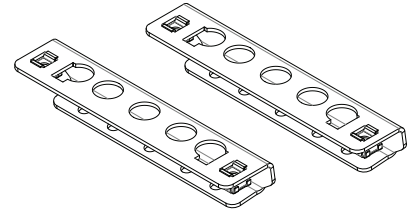


'Tradie Tuff'

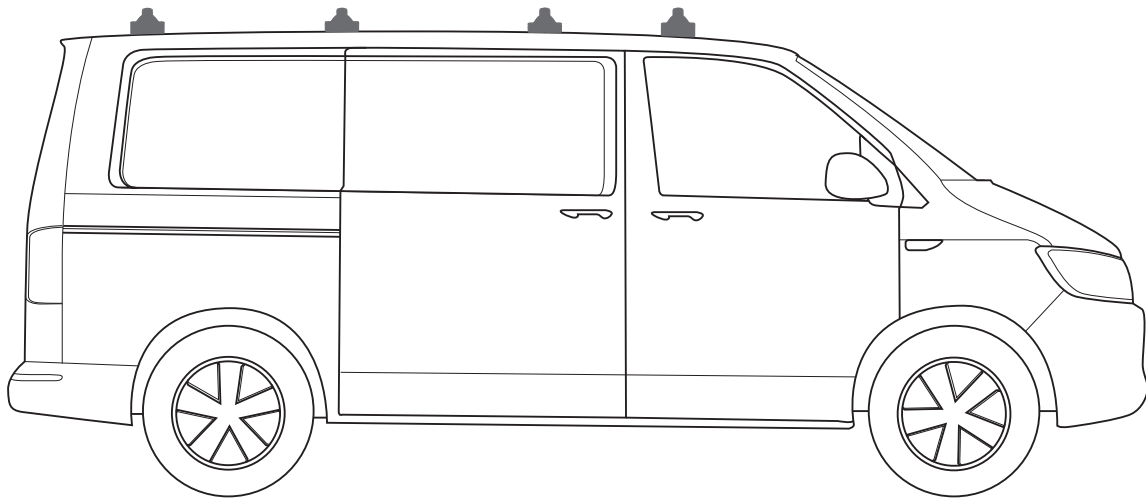
COMMERCIAL ROOF RACKS

VOLKSWAGEN TRANSPORTER, T6 12/2015

FIXED MOUNT



PART NUMBER: VAS.RC1020, VAS.RA1020, VAS.RC1018, VAS.RA1018, VAS.RC1016, VAS.RA1016, VAS.RC1014, VAS.RA1014, VAS.RC1059, VAS.RA1059, VAS.RC1063, VAS.RA1063, VAS.RC1064, VAS.RA1064, VAS.RC1069, VAS.RA1069.



Note:

- PLEASE READ INSTRUCTIONS AND CHECK CONTENT PRIOR TO INSTALLING.
- PLACE INSTRUCTIONS IN VEHICLES GLOVE COMPARTMENT AFTER INSTALLING.



3 Bar maximum capacity: 100kg
 4 Bar maximum capacity: 100kg
 Tested to AS/NZS 1235-200 ADR standards

- Please check your vehicle's manual for vehicle load capacity (please do not exceed the lowest load rating) and please download and read our Load Rating guide which can be found on our website vas.com.au.
- Load rating is based on driving on sealed roads to road conditions and includes weight of roof rack system.

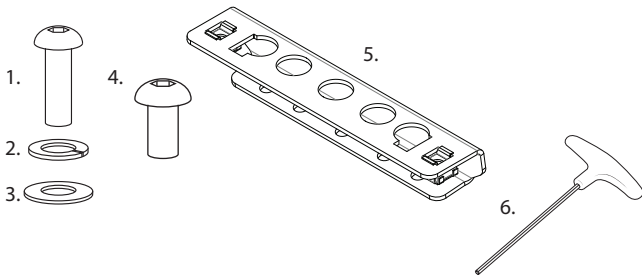
Important information

- Complete maintenance checks weekly including bolt connections and tightness.
- Heavy loads carried near feet
- Overhanging loads should conform to relevant state laws
- Check tie down strap tension every 50klm as loads can shift
- Specialised equipment carriers such as ladder slides should be used
- Ensure your roof racks, ladder rails and or load does not inhibit the tailgate lifting on vehicles manufactured with these doors
- Check car park heights before entering
- Keep load under the maximum capacity
- Use non stretch fastening straps
- Remove roof racks prior to using an automatic car wash

Note: The handling characteristics of a vehicle will change when a carrier system is fitted. Driving technique such as speed reduction, cornering techniques and braking distances should be altered to allow for these changes.

Kit Inclusions

Item	Part	3Bar	4Bar
1	M6 x 30mm Button Head Screw - F008	12	16
2	M6 Spring Washer - F012	18	24
3	M6 x 16mm Flat Washer - F011	18	24
4	M6 x 20mm Button Head screw - F006	6	8
5	Common Bracket - C087	6	8
6	4mm Allen Tool - C028	1	1

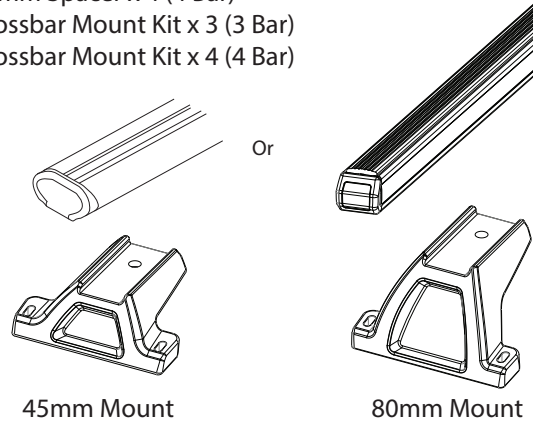


Tools Required

- 1 - 4mm Allen Tool (provided).
- 2 - Butyl Mastic.
- 3 - 5mm Allen Key.

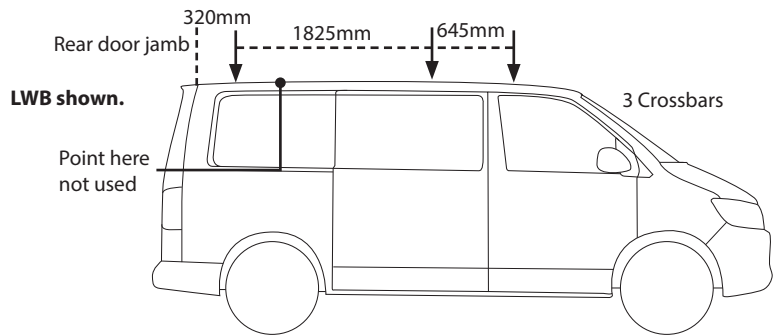
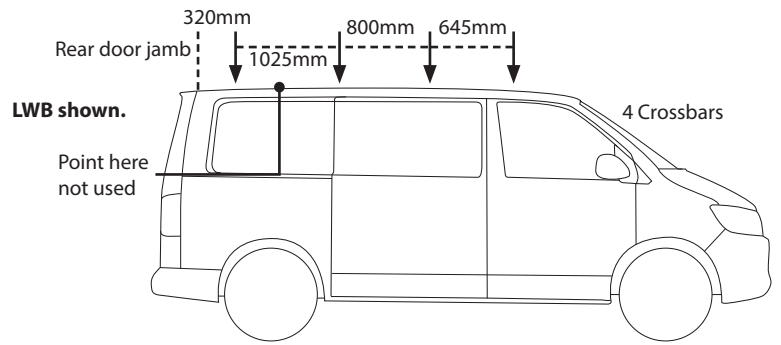
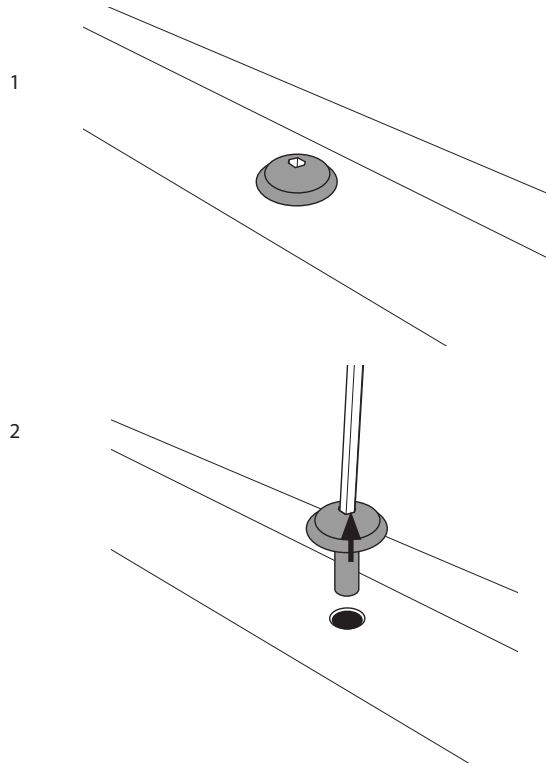
Required kits (as separate):

- Crossbar 3 x 1500mm (3 Bar)
- Crossbar 4 x 1500mm (4 Bar)
- 10mm Spacer x 2 (3 Bar)
- 10mm Spacer x 4 (4 Bar)
- Crossbar Mount Kit x 3 (3 Bar)
- Crossbar Mount Kit x 4 (4 Bar)



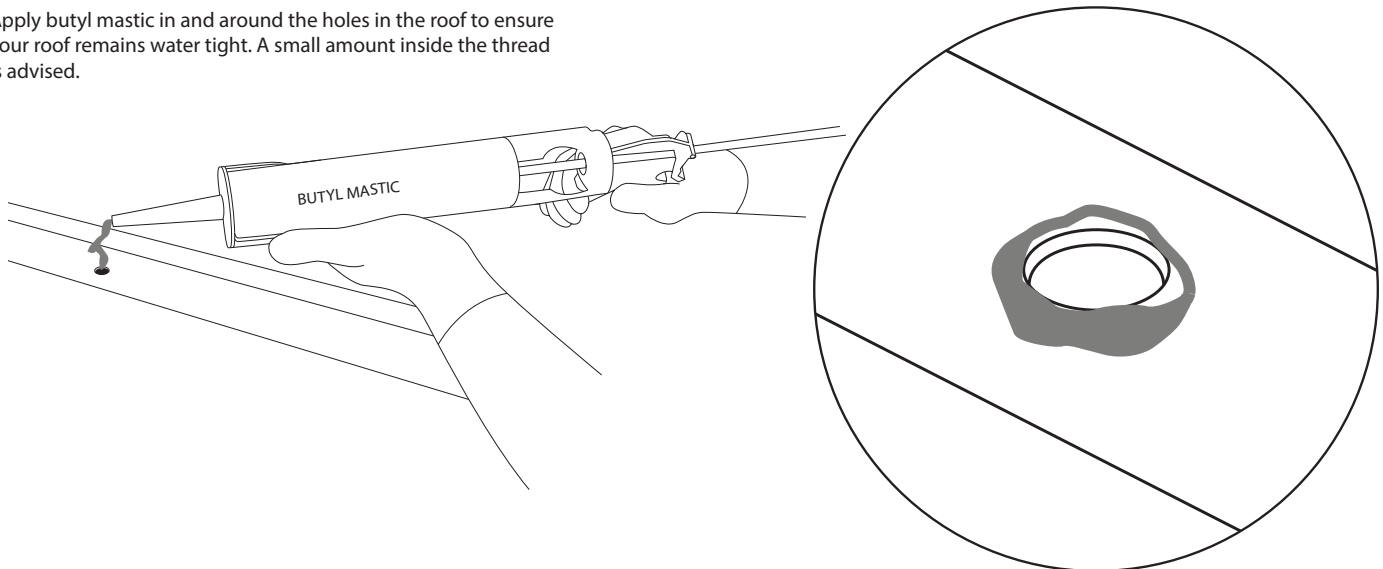
Step 1

Identify the plastic factory mounts on the roof of the vehicle. Using a 5mm allen key, remove the threaded plugs from the mount points. Store in a safe place. Be aware of the mount points to use for either a 3 or a 4 crossbar system.



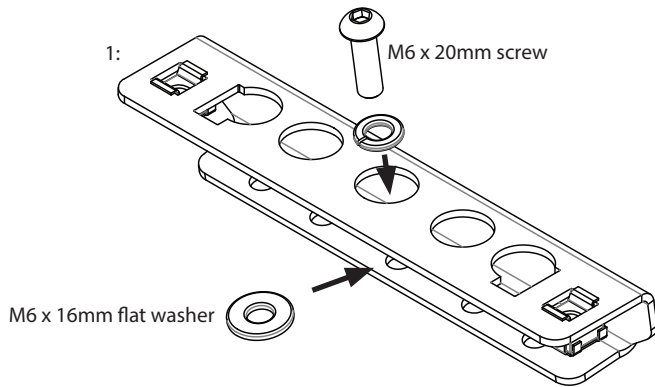
Step 2

Apply butyl mastic in and around the holes in the roof to ensure your roof remains water tight. A small amount inside the thread is advised.



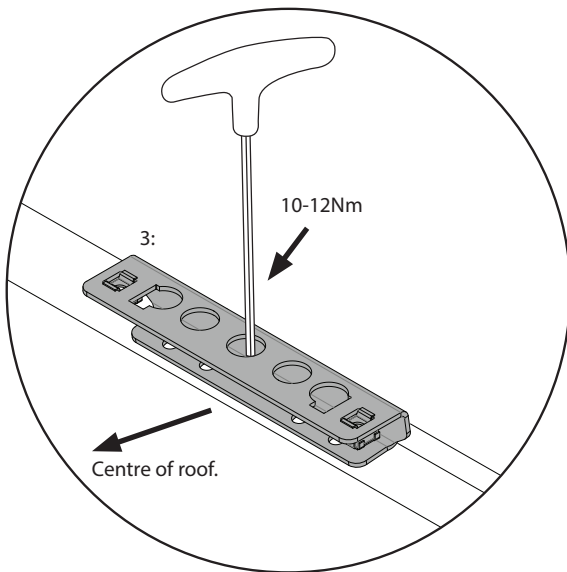
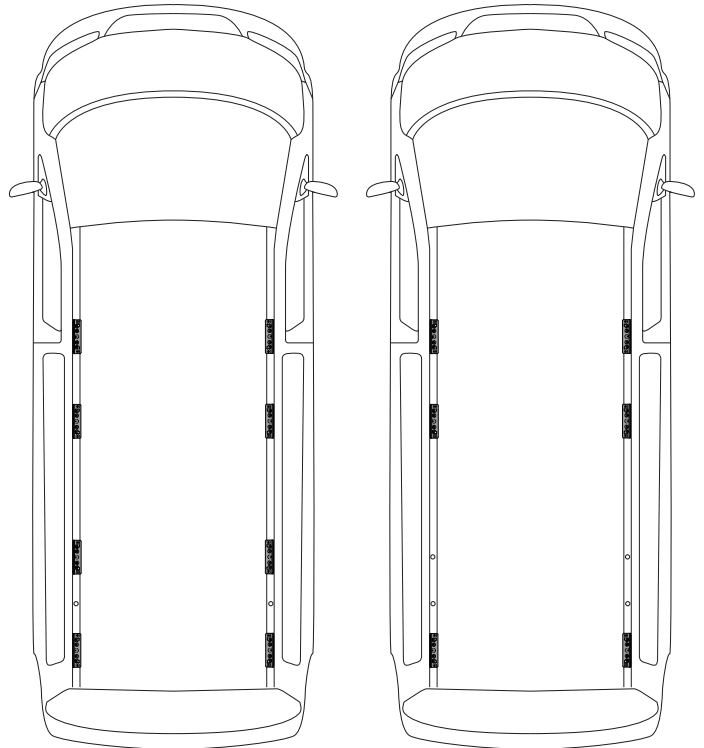
Step 3

1 - Install the M6 hardware into each bracket. 2 - Place the assemblies over the exposed mounting points in the roof. 3 - Tighten the assembly with the allen key provided.



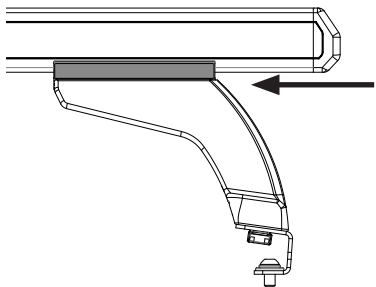
4 Crossbars

3 Crossbars

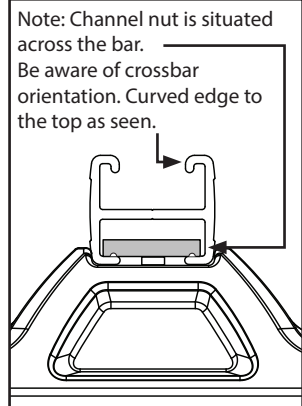
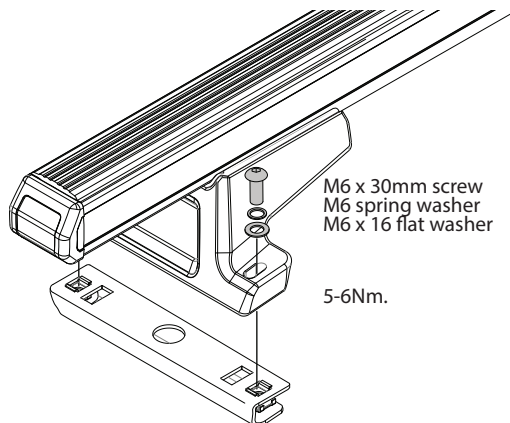


Step 4

Complete crossbar mount kits as specified in their instructions. Place the crossbars onto the installed brackets in the roof. Fix in place with the M6 hardware provided and tighten with an allen key. Note rear crossbar requires a 10mm spacer.



4 Crossbars -
10mm spacer
front and rear.
3 Crossbar -
10mm spacer
at rear.



NOTE

ATTENTION:

Thoroughly check all fasteners are secure before driving away. Note either standard height or low height mounts can be used. All heights shown are for standard vehicles and unladen. Always measure the height of your specific vehicle.

