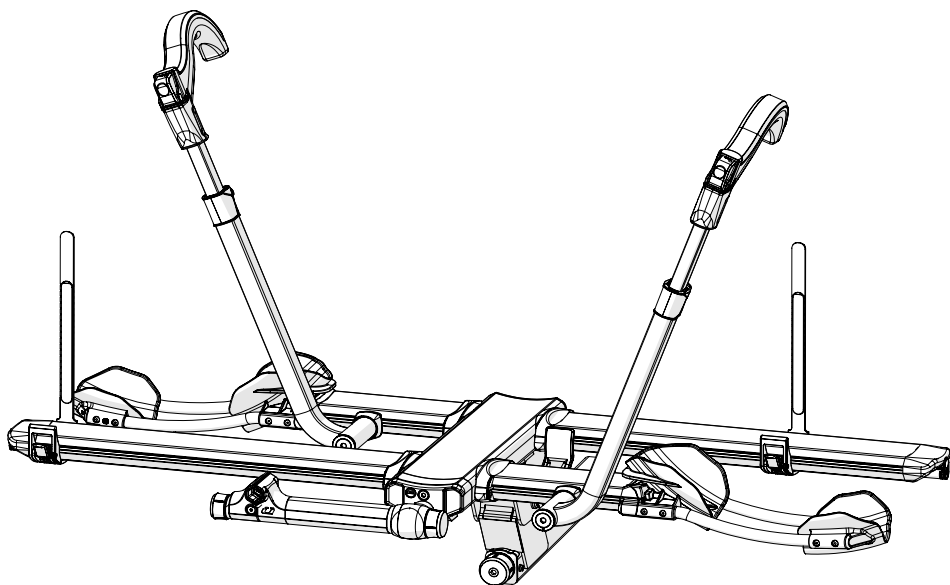
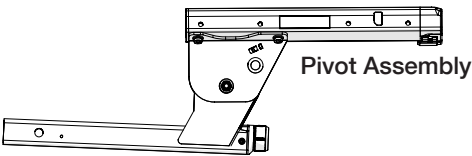
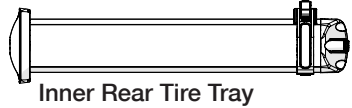
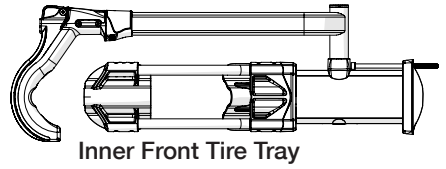
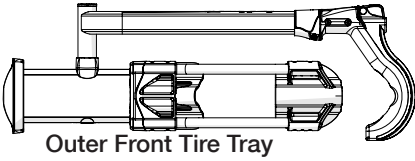


NV™ 2.0

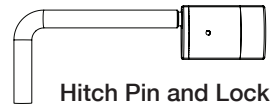
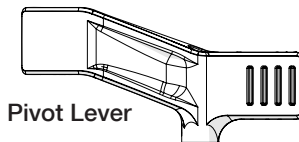
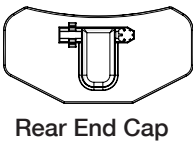
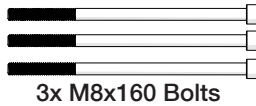


USER GUIDE

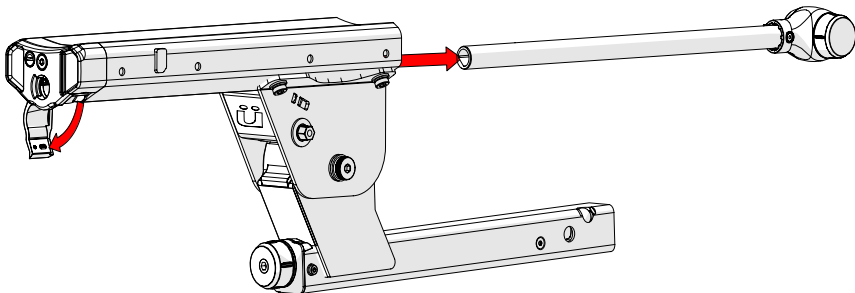
Parts:



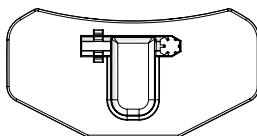
Included in the parts box:



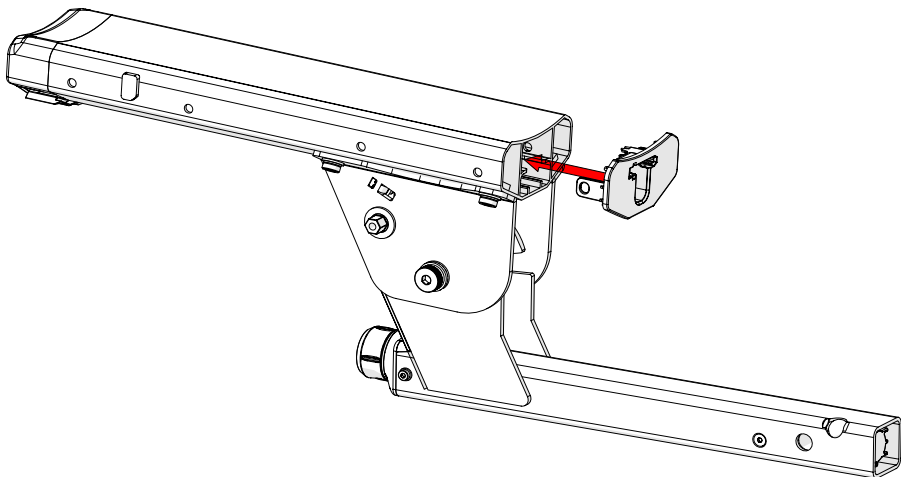
STEP 1. Throw the end cap lever open to release the Trail Doc™ Post and pull the Trail Doc™ Post completely out from the rear of the center beam.



STEP 2. Insert rear end cap.
Part Needed



Rear End Cap

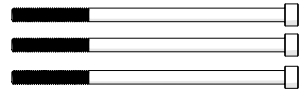


STEP 3. Align the trays with the holes on the center beam by matching the coordinating labels. Then alternate between bolts to tighten.

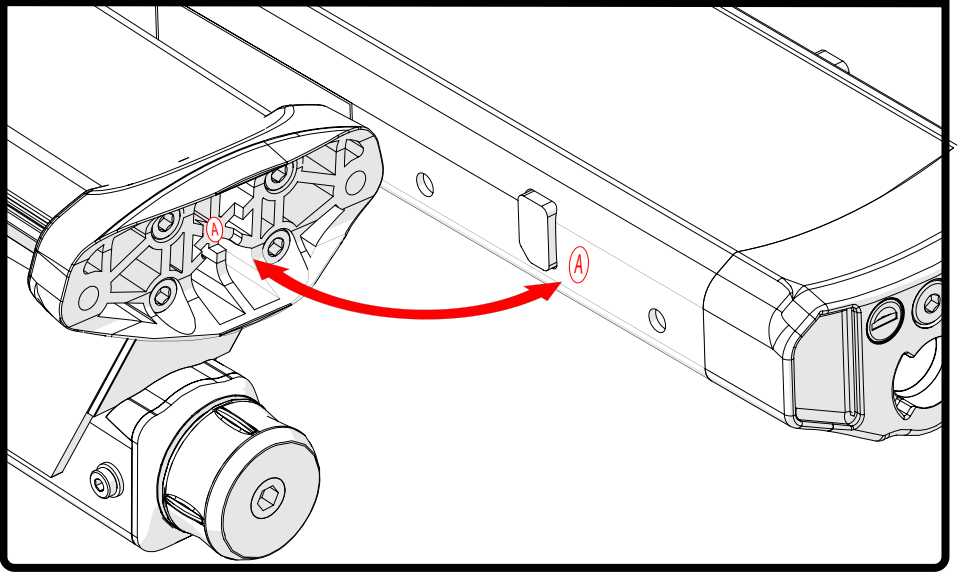
Parts Needed



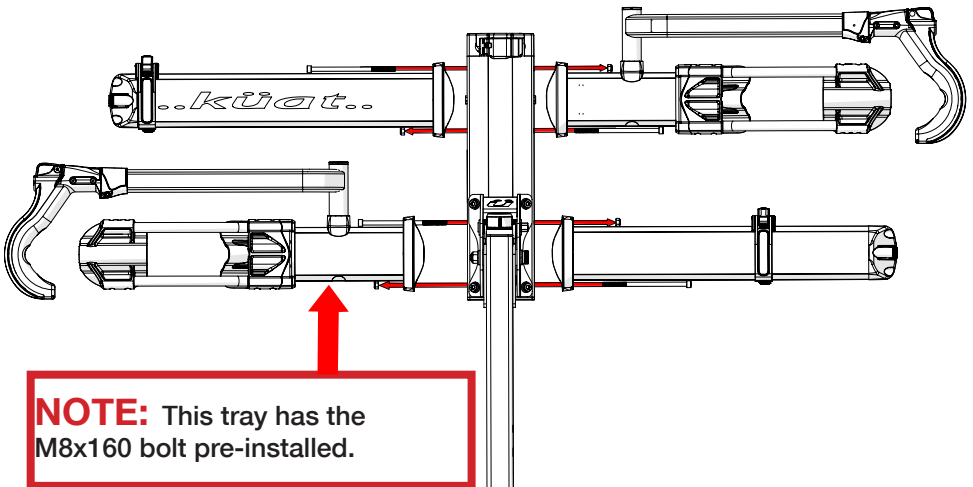
4x M8 Nuts



3x M8x160 Bolts



NOTE: The trays with the “..Küat..” logo will be farthest from the hitch. Performing this step with the rack upside down will ease assembly.



NOTE: This tray has the M8x160 bolt pre-installed.

STEP 4. Press the pivot lever onto the corresponding keyed shaft. Then tighten the bolt with the lock washer to secure the pivot lever.

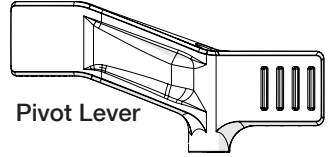
Parts Needed



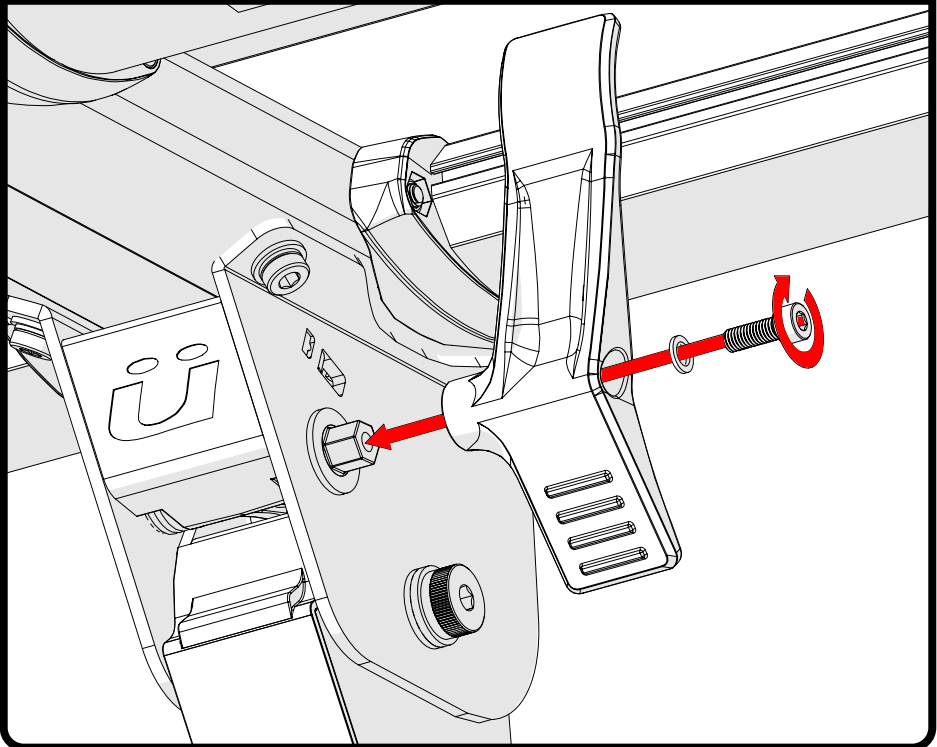
M6 Lock Washer



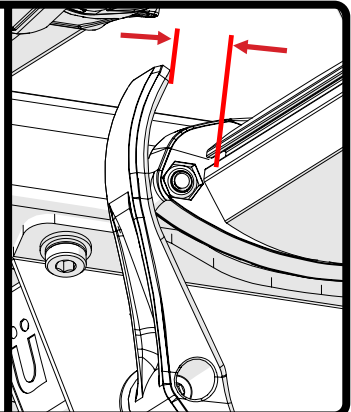
M8x45 Bolt



Pivot Lever

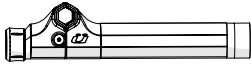


NOTE: When positioning the pivot lever there should be about 1 in (25.4mm) of space between the lever and the tray.



STEP 5. Thread the Trail Doc™ clamp onto the Trail Doc™ post.

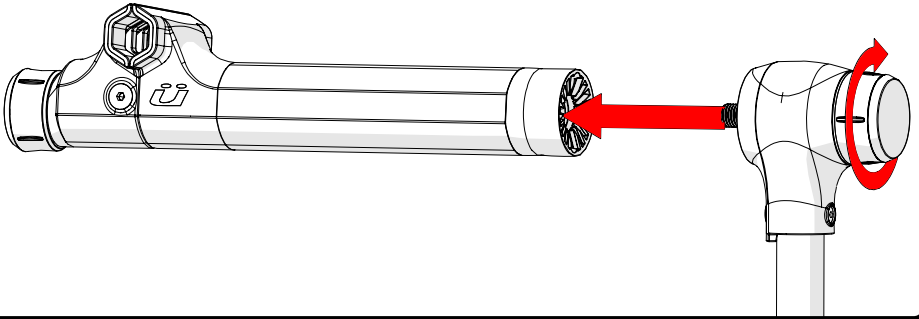
Parts Needed



Trail Doc™ Clamp

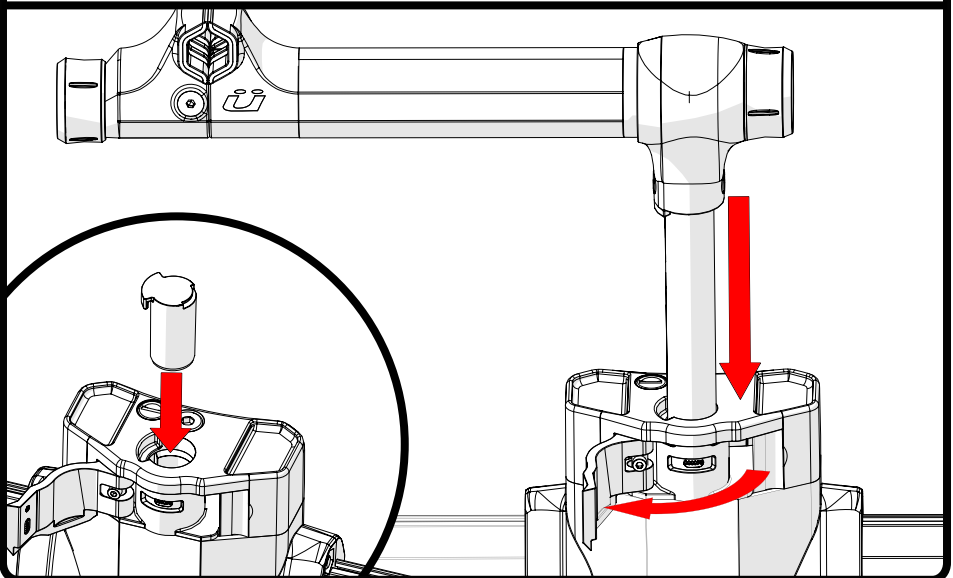


Trail Doc™ Post



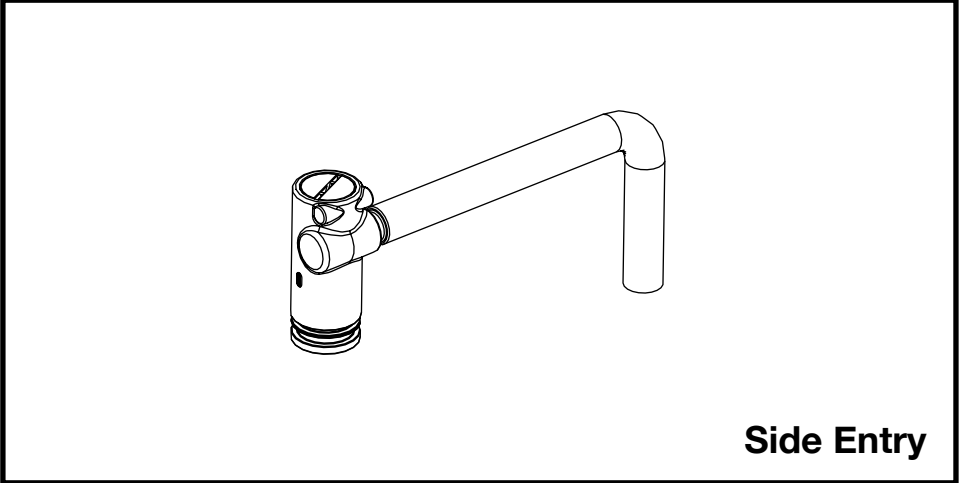
STEP 6. Open the lever on the end cap and insert the Trail Doc™.

NOTE: Use the end cap plug to keep debris out when the Trail Doc™ is not installed. The tension on the lever can be adjusted using a 3mm Allen wrench.

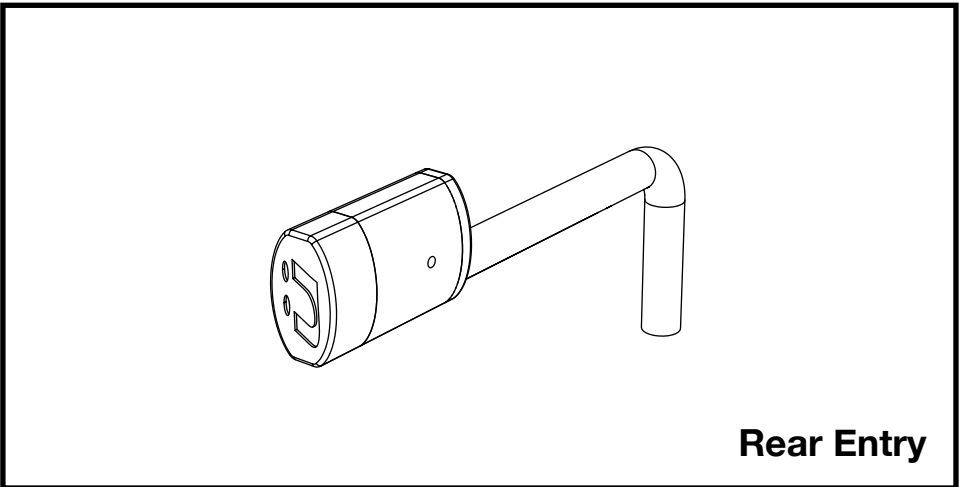


Using the NV Hitch Lock

! If your NV 2.0 uses the side-entry hitch lock system, follow all instructions labeled **Section 1** to ensure proper lock usage.

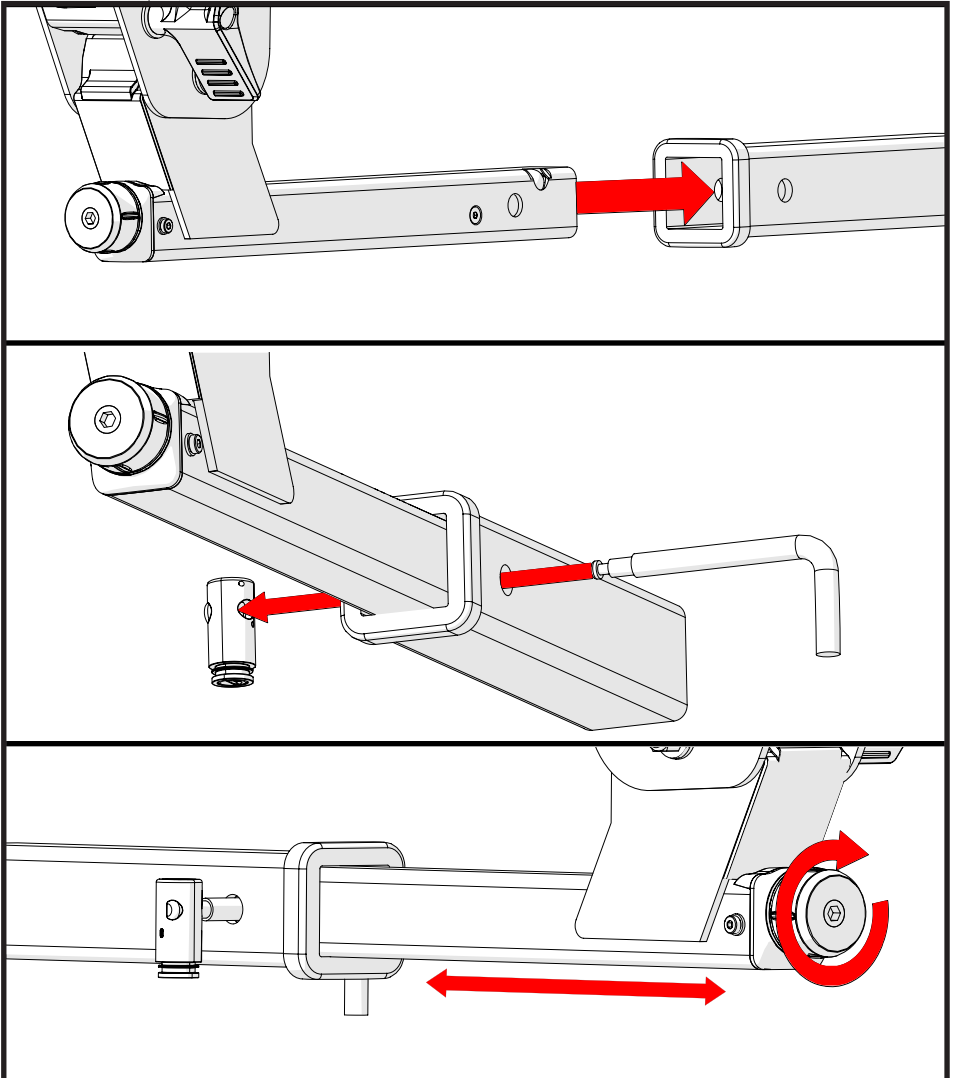
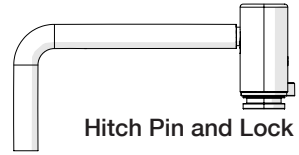


! If your NV 2.0 uses the rear-entry hitch lock system, follow all instructions labeled **Section 2** to ensure proper lock usage.



Insert the rack into the hitch receiver and align the hitch pin holes, then insert the hitch pin and lock. Push or pull the rack in the hitch receiver to remove rattle caused by the hitch pin and turn the knob until tight.

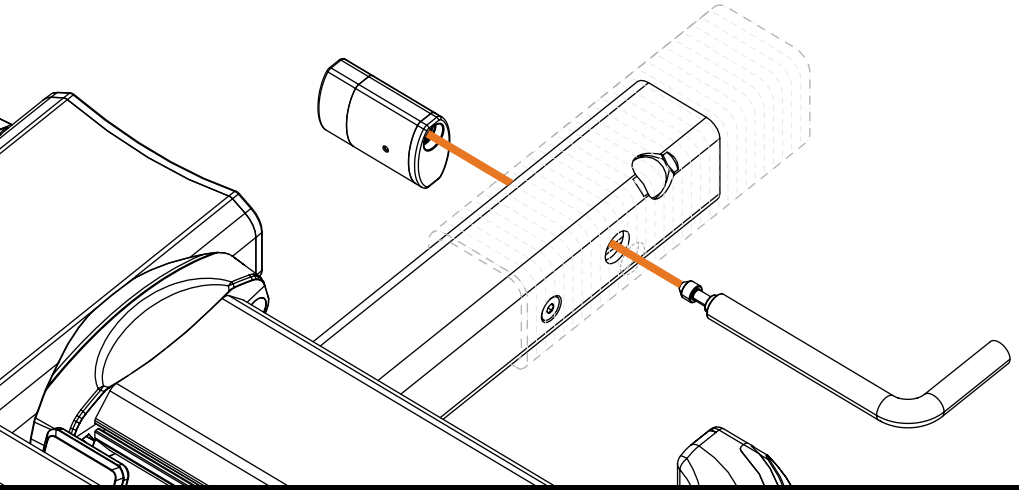
Parts Needed



Section 2

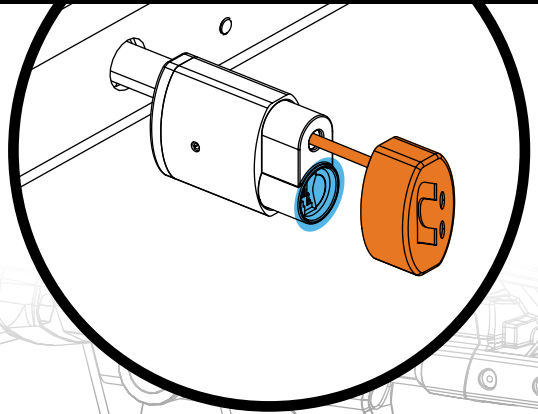
Using the Rear-Entry NV Hitch Lock

- 1 Insert NV 2.0 into hitch aligning hitch pin holes.

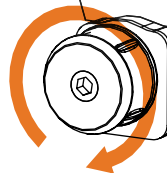


- 2 Slide hitch pin through hitch, NV 2.0, and into new hitch lock.

Remove **dust cover** to access **lock key core** and lock hitch pin.



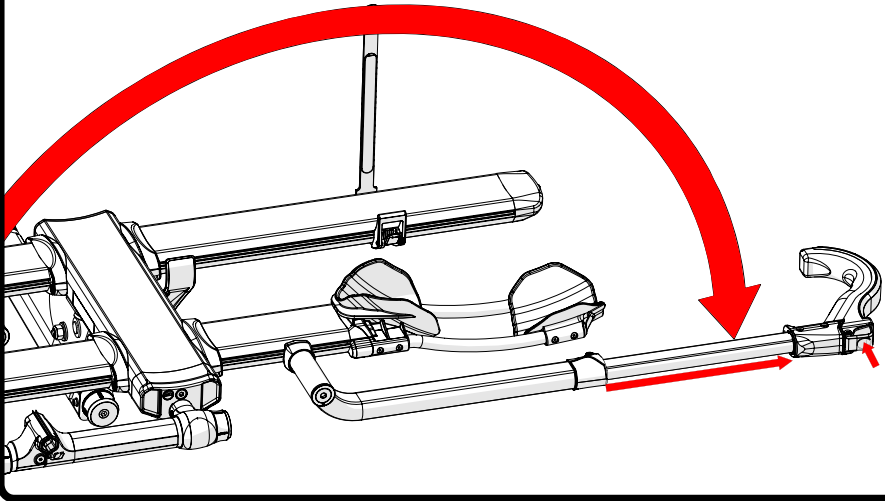
Tighten NV 2.0 Hitch Cam



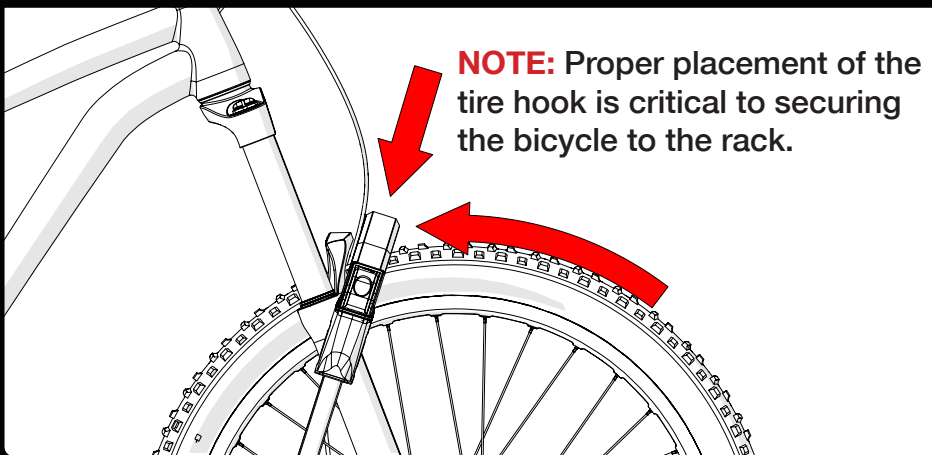
Loading bicycles:

STEP 1. Rotate the tire hook outward. Press the button and extend the hook.

NOTE: When not in use keep the tire hook rotated inward to avoid damage.

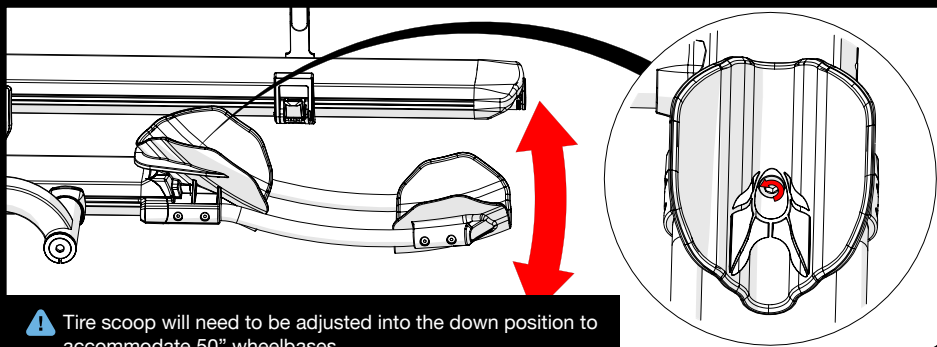


STEP 2. Set the bicycle on the rack and place the hook as close to the bicycle's front fork as possible, then ratchet the hook down onto the tire.



NOTE: To adjust for bicycle fit issues loosen the front cradle bolt with an 8mm Allen wrench (Do not fully remove the bolt). Once loose, move the cradle to one of three positions; up, center, or down. Tighten the bolt to secure the cradle in position.

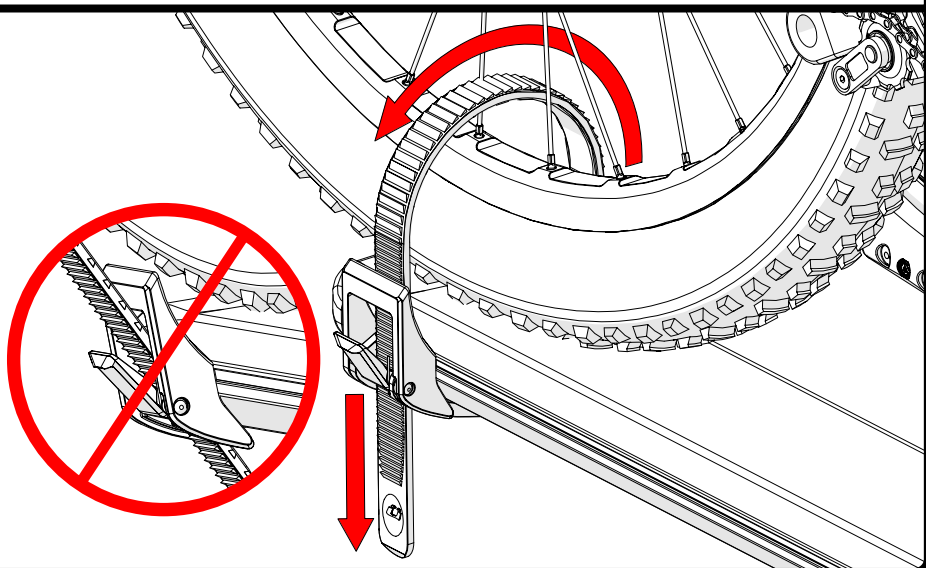
Failure to re-tighten bolt can lead to loss of bike.



! Tire scoop will need to be adjusted into the down position to accommodate 50" wheelbases.

STEP 3. Feed the rear tire strap through the rear tire and behind the tire retention tab, then pull through the ratchet pawl until the rear tire is secure.

NOTE: Failure to properly feed and tighten the strap can lead to loss of bike.

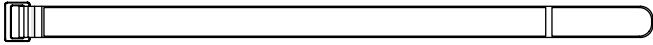


NOTE: Front Tire Safety Strap must be used when driving over rough terrain or with bicycles 35 lbs or heavier.

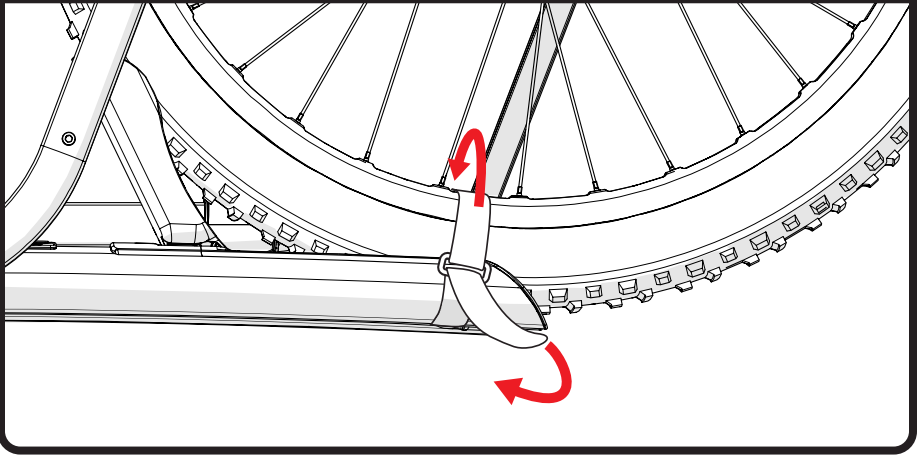
AVISO: Frente Correa de seguridad del neumático debe ser utilizado cuando se conduce por terrenos accidentados o con las bicicletas 15,9 kgs o más pesados .

AVIS: Front Tire Sangle de sécurité doit être utilisé lors de la conduite sur un terrain accidenté ou avec des bicyclettes 15,9 kg ou plus lourds .

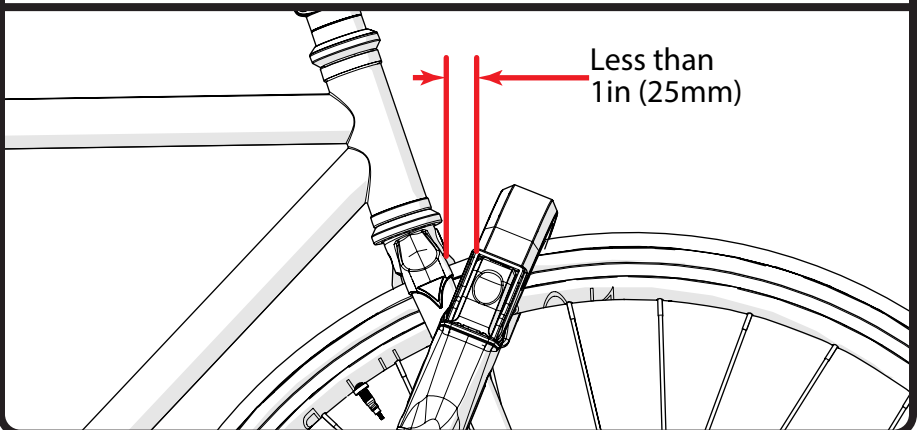
PARTS NEEDED :



x1 Front Tire Safety Strap

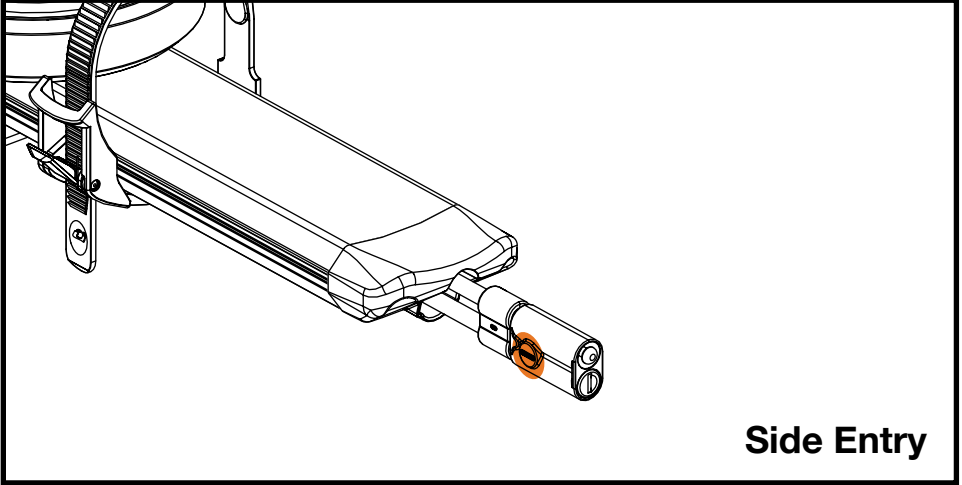


NOTE: If you wish to place the tire hook up to 1" (25mm) away from the fork, you must use the Front Tire Safety Strap. Caution must always be taken to ensure each bicycle is secured on the rack before any travel.

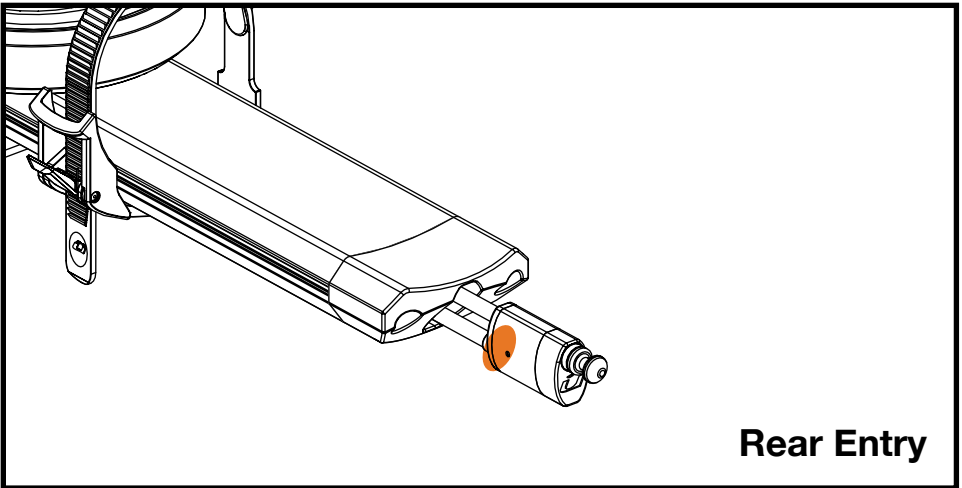


Using the NV Bike Lock

! If your NV 2.0 uses the side-entry cable lock system, follow **Section 1** to ensure proper lock mechanism usage.

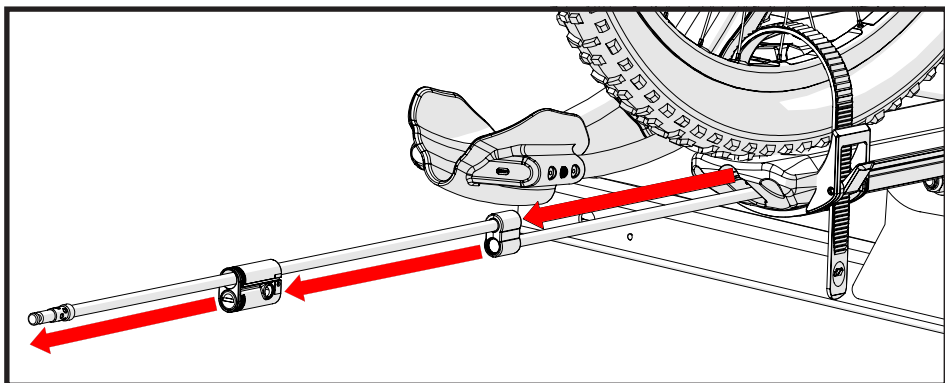


! If your NV 2.0 uses the rear-entry cable lock system, follow **Section 2** to ensure proper lock mechanism usage.



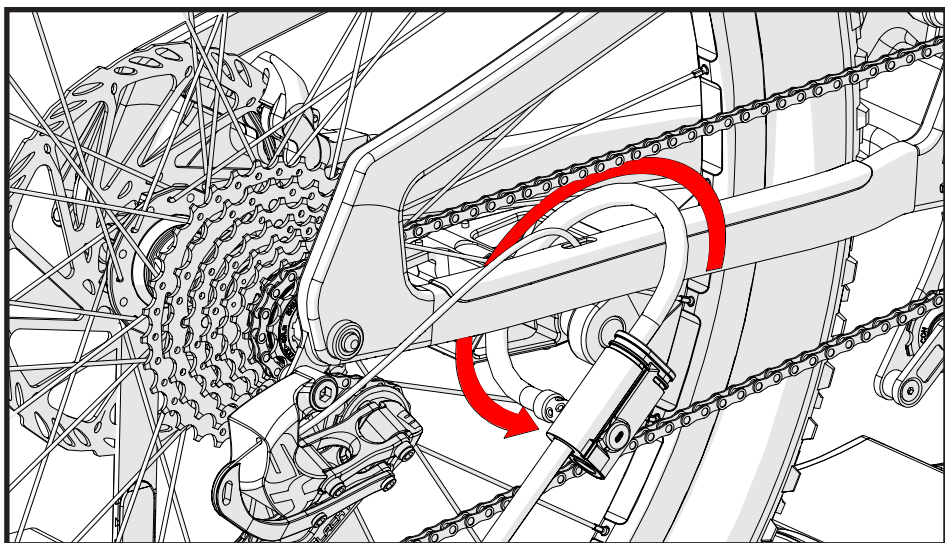
- 1 Pull the lock and cable out from the rear tire tray.

NOTE: When re-inserting the lock cable into the rack there should be a positive engage between the cable and the magnet in the back of the tray.



- 2 Loop the cable through the rear triangle and insert the lock tip into the lock found on the cable.

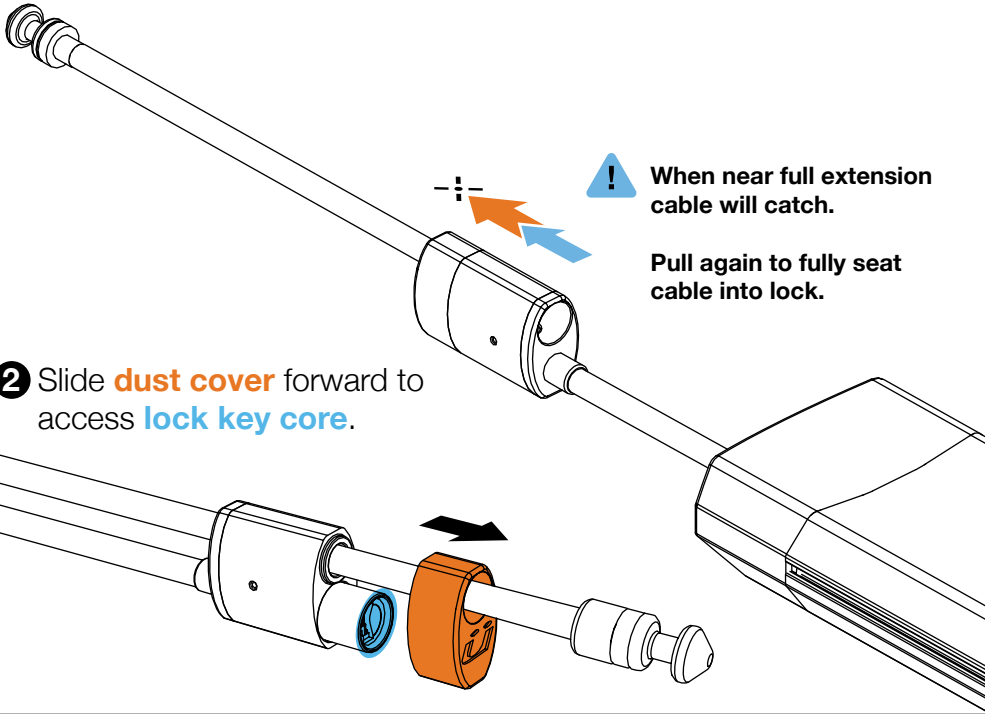
NOTE: Each lock cable is designed to lock a single bicycle. Do not lock the two cables together.



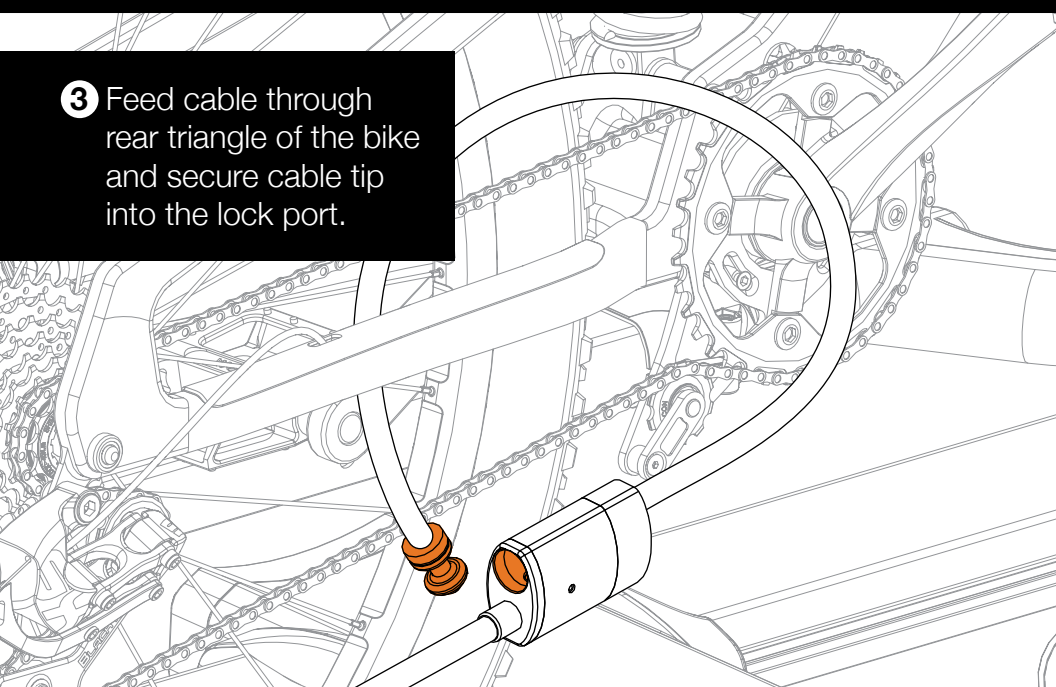
Section 2

Using the Rear-Entry NV Lock

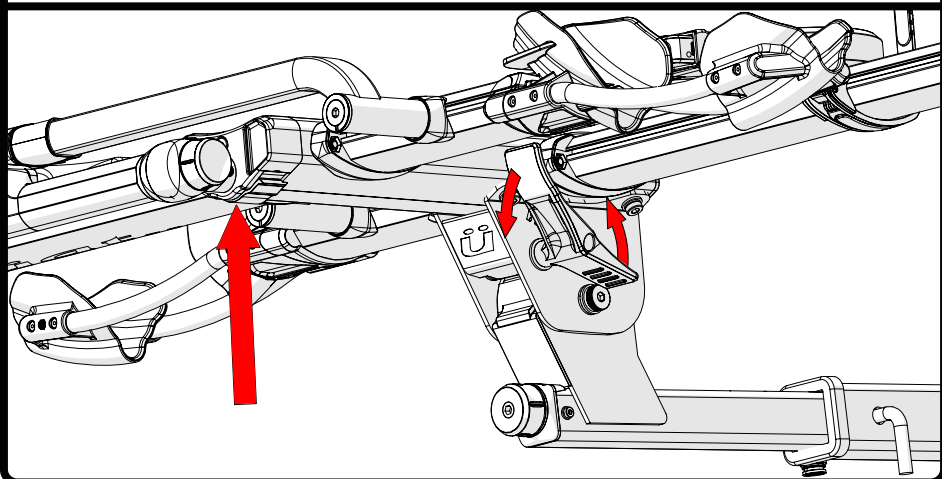
- 1 Slide lock assembly out of tray until cable is fully extended.



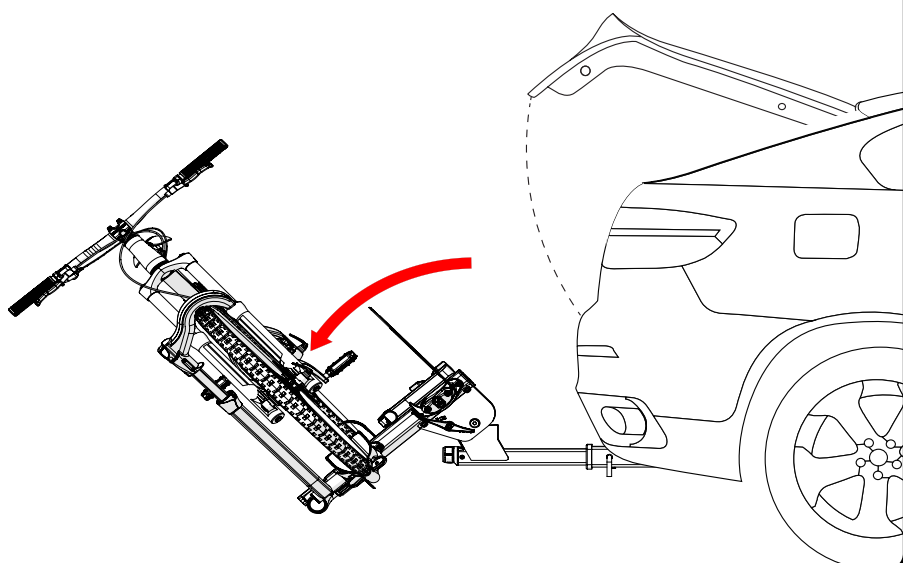
- 3 Feed cable through rear triangle of the bike and secure cable tip into the lock port.



When adjusting the pivot position, always support the end of the rack before engaging the pivot lever. This will assist with the release of the pivot lever and prevent the rack from falling.

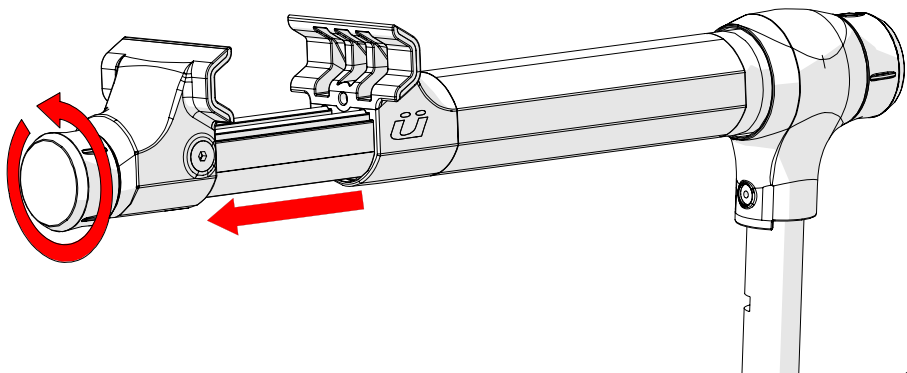


NOTE: The rack can tilt down for access to the rear hatch of the vehicle. Use caution when opening the rear hatch as this may not clear all hatches.

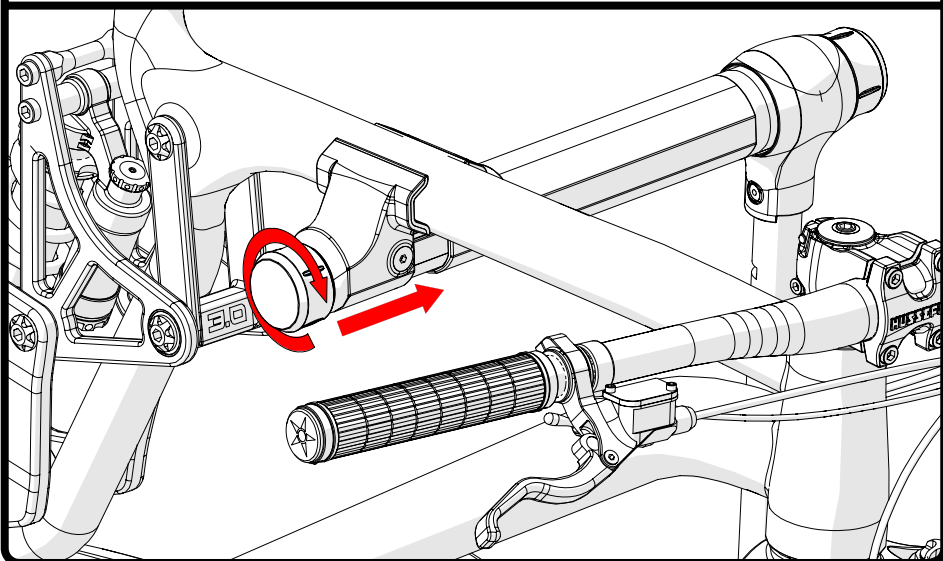


Operating the Trail Doc™:

STEP 1. Open the Trail Doc™ clamp by rotating the knob counterclockwise until the clamp springs open.

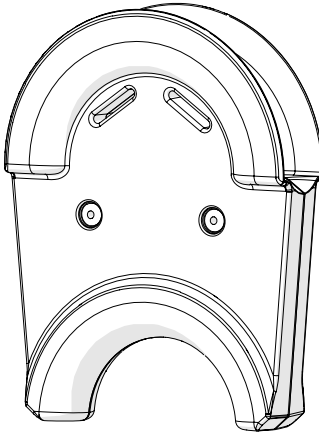


STEP 2. While holding the bicycle in place rotate the knob 1/4 of a turn clockwise, to engage the ratcheting mechanism, and close the clamp. Once the clamp is closed continue to rotate the knob clockwise until the bicycle is secured.

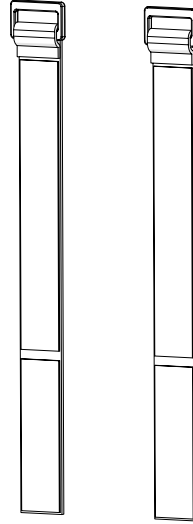


Additional Notes:

NOTE: When loading bicycles with 20"-24" front tires an adapter must be used. Please contact Küat Racks directly by calling toll free 1(877)822-5828, or by emailing us at info@kuatracks.com and a 20"-24" adapter kit will be provided.



20"-24" Adapter Kit



Tips and Tricks

- Periodically check all nuts and bolts for proper tightness. Not doing so can lead to premature wear or rack failure.
- Lubricate the lock mechanisms using a light oil. Keep the cover on the hitch pin lock at all times.
- The 8mm Allen wrench can be stored in the rear end cap for easy access.
- The 8mm Allen wrench can be used to tighten and loosen the cam system.
- Keeping your rack clean will help prevent corrosion and keep the rack working correctly for years.
- The pivot handle is also designed to be used as a foot pedal when lowering the trays.
- Make sure the bicycles' tires are properly inflated and free of leaks. Bicycles can become loose if a tire deflates while in the rack.

Küat Rack Warnings

NV™ 2.0

Number Of Bikes

2

3 with
1 Bike Add On
4 with
2 Bike Add On

Weight Per Bike

60 lb

27.2 kg

50lbs with
1 Bike Add On
40lbs with
2 Bike Add On

Max Wheelbase

50 in

1270 mm

Max Tire Width

5 in

127 mm

WARNINGS

- Follow instructions for proper assembly, installation, and use.
- Check tightness of all bolts and screws periodically
- Make sure rack and vehicle receiver are in working condition before each use.
- Only use Küat hitch extenders with this product.
- Place front tire ratchet arm as close to front fork as possible
- Do not use front tire bicycle fenders with this product.
- Do not exceed the bicycle or weight limits intended for this rack
- Do not use rack Off-Road*. (*Rough, washed out, boulder-and-rut-strewn backroads)
-Smooth gravel roads are not considered off-road
- Do not use tarps, rain covers, or wind covers with this product.
- Do not install this product on campers, recreational vehicles or trailers.
- Do not take through automatic car wash.
- Drive responsibly.

If you have questions or problems, please contact Küat Racks directly by calling toll free 1(877)822-KUAT, or by email: info@kuatracks.com

ADVERTENCIAS

- Siga las instrucciones para un montaje, instalación y uso adecuados.
- Compruebe periódicamente la estanqueidad de todos los pernos y tornillos
- Asegúrese de que el estante y el receptor del vehículo estén funcionando antes de cada uso.
- Utilice únicamente extensores de enganche Küat con este producto
- Coloque el brazo de trinquete del neumático delantero lo más cerca posible de la horquilla delantera.
- No utilice guardabarros delanteros para bicicletas con este producto.
- No exceda los límites de bicicleta o peso destinados a esta parrilla.
- No utilice el bastidor Off-Road *. (* Caminos en bruto, deslavados, llenos de rocas y surcos)
-Los caminos de grava lisa no se consideran fuera de carretera.
- No use lonas, cubiertas para la lluvia o cubiertas para el viento con este producto.
- No instale este producto en autocaravanas, vehículos recreativos o remolques.
- No realice el lavado automático de automóviles.
- Conduzca responsablemente.

AVERTISSEMENTS

- Suivez les instructions pour un assemblage, une installation et une utilisation appropriés.
- Vérifiez régulièrement le serrage de tous les boulons et vis
- Assurez-vous que le support et le récepteur du véhicule sont en état de marche avant chaque utilisation.
- Utilisez uniquement des rallonges d'attelage Küat avec ce produit.
- Placer le bras de cliquet du pneu avant le plus près possible de la fourche avant.
- N'utilisez pas d'ailes de vélo avant avec ce produit.
- Ne dépassez pas les limites de vélo ou de poids prévues pour ce support.
- N'utilisez pas le rack Off-Road *. (* Routes rugueuses, délavées, parsemées de rochers et d'ornières)
-Les routes de gravier lisses ne sont pas considérées comme hors route.
- N'utilisez pas de bâches, de housses de pluie ou de vent avec ce produit
- N'installez pas ce produit sur des camping-cars, des véhicules récréatifs ou des remorques.
- Ne passez pas au lave-auto automatique.
- Conduisez de manière responsable.

Küat Racks Limited Lifetime Warranty

Küat honors the warranty on all Küat brand products for original owners of the product. Warranty is not transferable.

If a Küat rack that is covered by the terms of this warranty and is determined by Küat, to be defective, Küat will repair or replace the defective parts. Küat may choose in some cases to offer the owner a refund of up to the original purchase price of the product in lieu of repairing or replacing the product.

The Küat warranty does not cover any conditions that are beyond Küat's control. This includes, but is not limited to, the following: excessive loading, improper assembly, improper installation, theft, or any use that is not consistent with the user guide that is included with the product.

The Küat Warranty does not cover normal wear and tear, scratches, cosmetic oxidation, accidents, or damage due to unauthorized repairs or modifications.

If you are the original owner of a defective Küat product, please contact Küat at 1(877)822-5828. A Küat representative will work to quickly resolve the problem. If repairs are necessary, the owner will be responsible for the cost of returning the product to Küat for repair. No product should be returned to Küat without prior authorization from Küat staff.

LIMIT OF LIABILITY

THIS WARRANTY ONLY COVERS REPAIR, REPLACEMENT OR REFUND FOR THE COVERED KÜAT PRODUCT. ANY DAMAGE TO VEHICLE OR PROPERTY IS NOT COVERED BY THIS WARRANTY. PERSONAL INJURY IS NOT COVERED BY THIS WARRANTY.

LIMITATION OR EXCLUSION OF INCIDENTAL DAMAGE IS NOT ALLOWED IN ALL STATES SO THE ABOVE LIMITATIONS MAY NOT APPLY.

Küat respeta la garantía de todos los portabicicletas Küat mientras el comprador original sea el propietario de dicho producto. Si el comprador original vende o de alguna otra manera cede el producto a otra persona, la garantía será revocada.

Si un portabicicletas Küat que esté cubierto por los términos de esta garantía está defectuoso, Küat reparará o reemplazará las partes defectuosas a su propio criterio. Küat puede optar en algunos casos por ofrecer el reembolso del precio de compra del product en lugar de repararlo o de reemplazar las piezas defectuosas.

La garantía Küat no cubre ninguna condición que esté más allá del control de Küat. Esto incluye, más no limita, carga excesiva, ensamblaje impropio, montaje impropio, robo o cualquier uso que no sea consistente con las instrucciones que están incluidas con el producto o que están disponibles para el usuario.

La garantía Küat no cubre el uso y desgaste natural, raspaduras, oxidación cosmética, accidentes, operación ilegal del vehículo o modificaciones o reparaciones no autorizadas.

Si usted es el propietario original de un producto Küat defectuoso, por favor contacte a Küat al 1(877) 822-5828. . Un representante de Küat le atenderá para resolver su problema. Si son necesarias reparaciones, el propietario será responsable por el costo del envío del producto a Küat para su reparación. Ningún producto deberá ser enviado a Küat sin previa autorización de un agente de Küat.

LIMITE DE RESPONSABILIDAD

ESTA GARANTIA SOLO CUBRE REPARACIONES, REEMPLAZOS O REEMBOLSOS PARA EL PRODUCTO DE KÜAT CUBIERTO. CUALQUIER DAÑO AL VEHICULO O PROPIEDAD O LESION NO ESTA CUBIERTA POR ESTA GARANTIA.

LIMITANTES O EXCLUSIONES DE DAÑO ACCIDENTAL NO ESTAN PERMITIDAS EN TODOS LOS ESTADOS, POR LO TANTO ESTAS LIMITANTES PODRIAN NO APLICAR.

Küat honore la garantie de toute sa gamme du support de la marque Küat tant qu'il demeure la propriété du propriétaire original. La garantie prend fin lorsque le propriétaire original se départit du produit en le vendant ou en le transférant à une autre personne.

Si un article Küat fait défaut alors qu'il est sous garantie, Küat réparera ou remplacera, à sa discrétion, la ou les pièces défectueuses. Küat pourrait choisir dans certains cas d'offrir un remboursement du prix à l'achat au lieu de réparer ou de remplacer la pièce défectueuse.

La garantie Küat ne couvre pas les conditions hors du control de Küat. Celles-ci incluent mais ne sont pas limitées à un chargement excessive, un assemblage erroné, un mauvais montage, le vol ou tout usage qui n'est pas conforme aux instructions (incluses avec le produit) accessibles à l'utilisateur.

La garantie Küat ne couvre pas l'usure normale, les égratignures, l'oxydation, les accidents, l'usage illégal d'un véhicule ou les réparations ou modifications non-autorisées.

Si vous êtes le propriétaire original d'un produit Küat défectueux, prière de contacter Küat au 1-877-822-5828. Un représentant Küat travaillera à la résolution du problème. Si des réparations sont nécessaires, l'acheteur doit assumer les frais d'envoi pour faire parvenir le produit Küat à l'entreprise. Ne retourner pas un produit Küat tant que vous n'obtenez pas l'autorisation d'un représentant de Küat.

LIMITE DE RESPONSABILITÉS

LA GARANTIE COUVRE SEULEMENT LA RÉPARATION , LE REMPLACEMENT OU LE REMBOURSEMENT D'UN PRODUIT KÜAT SOUS GARANTIE. LA GARANTIE NE COUVRE PAS LES DOMMAGES AU VÉHICULE, LES DOMMAGES À LA PROPRIÉTÉ NI LES BLESSURES.

LES RESTRICTIONS OU LES EXCLUSIONS CONCERNANT LES DOMMAGES ACCIDENTELLES NE SONT PAS ADMISES DANS TOUS LES ÉTATS OU CES RESTRICTIONS PEUVENT NE PAS S'APPLIQUER.

