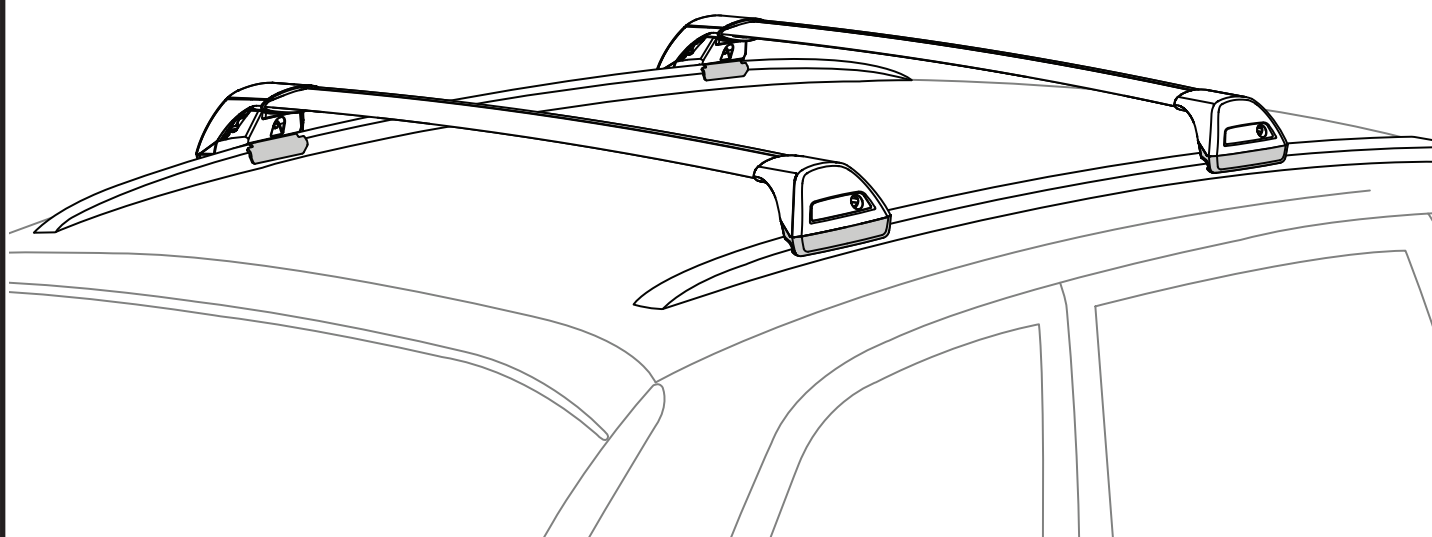








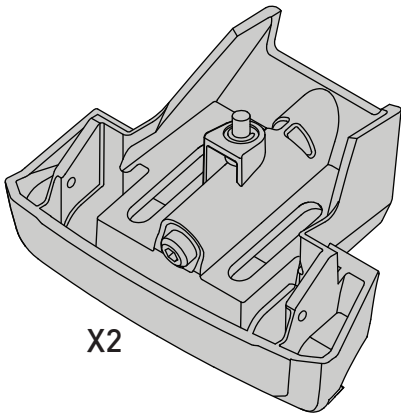
K667

Fitting Kit

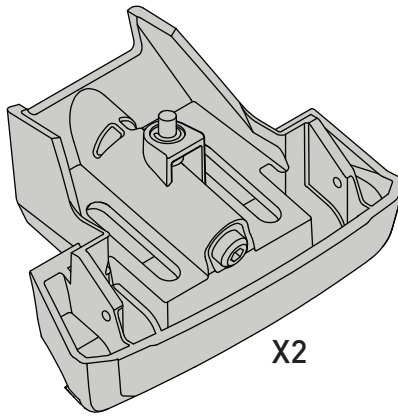


MAX kg (lb)					
					
Peugeot 508 EW Jun 2011+	NZ				
Peugeot 508 EW 2011+	EU				
Peugeot 508 EW Jul 2011+	AU				
Peugeot 508 SW 5dr Estate 2011+	NZ, EU				
Peugeot 508 Touring 5dr Estate 2011+	AU				

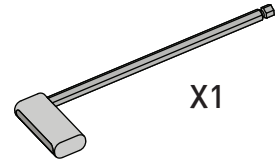
CONTENTS • CONTENUTO • CONTENIDO • INHALT • CONTENUTI



X2



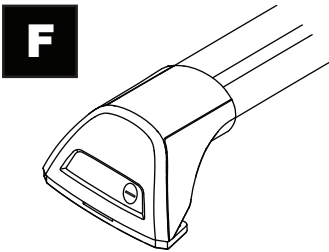
X2



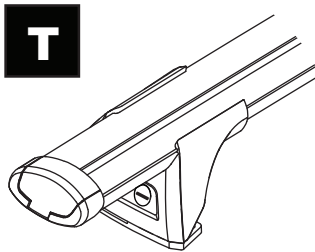
X1



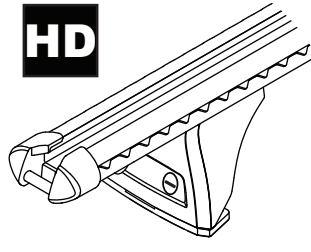
X8



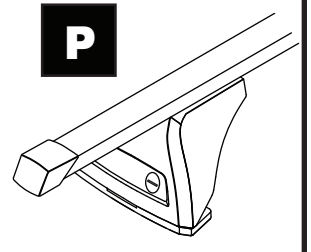
Flush Bar (F)



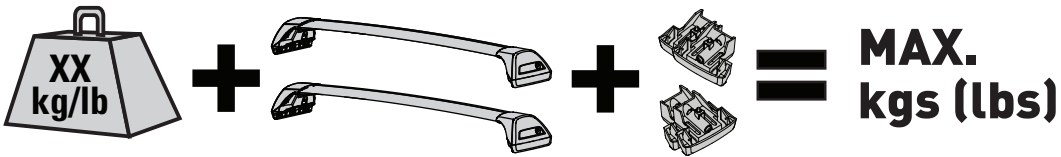
Through Bar (T)



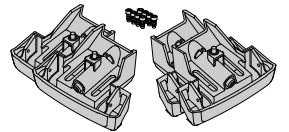
Heavy Duty Bar (HD)



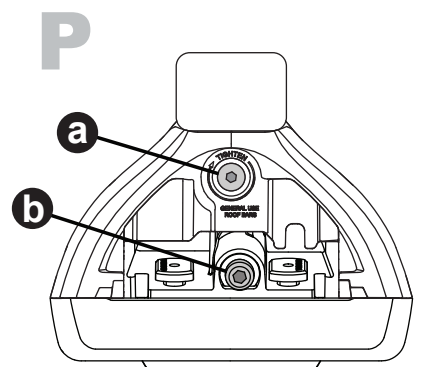
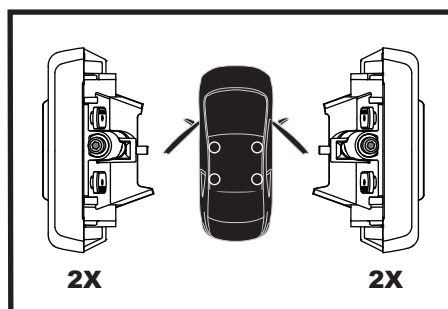
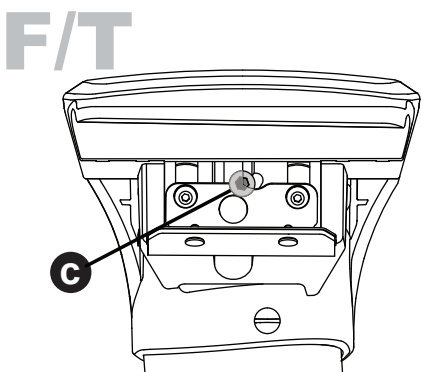
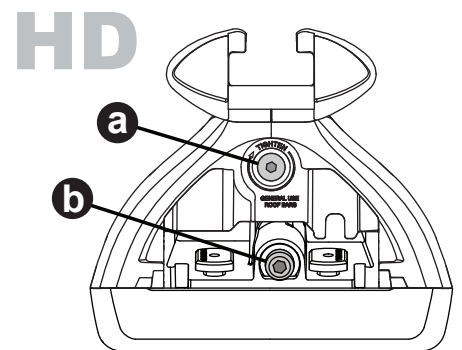
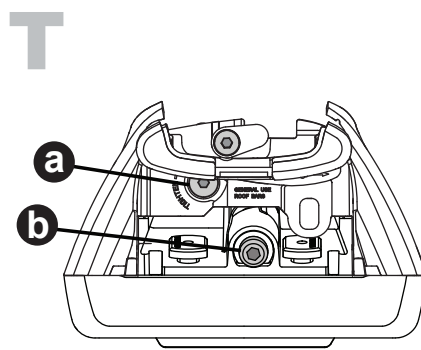
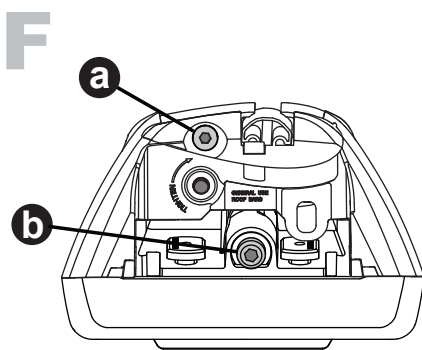
Square Bar/P-Bar (P)

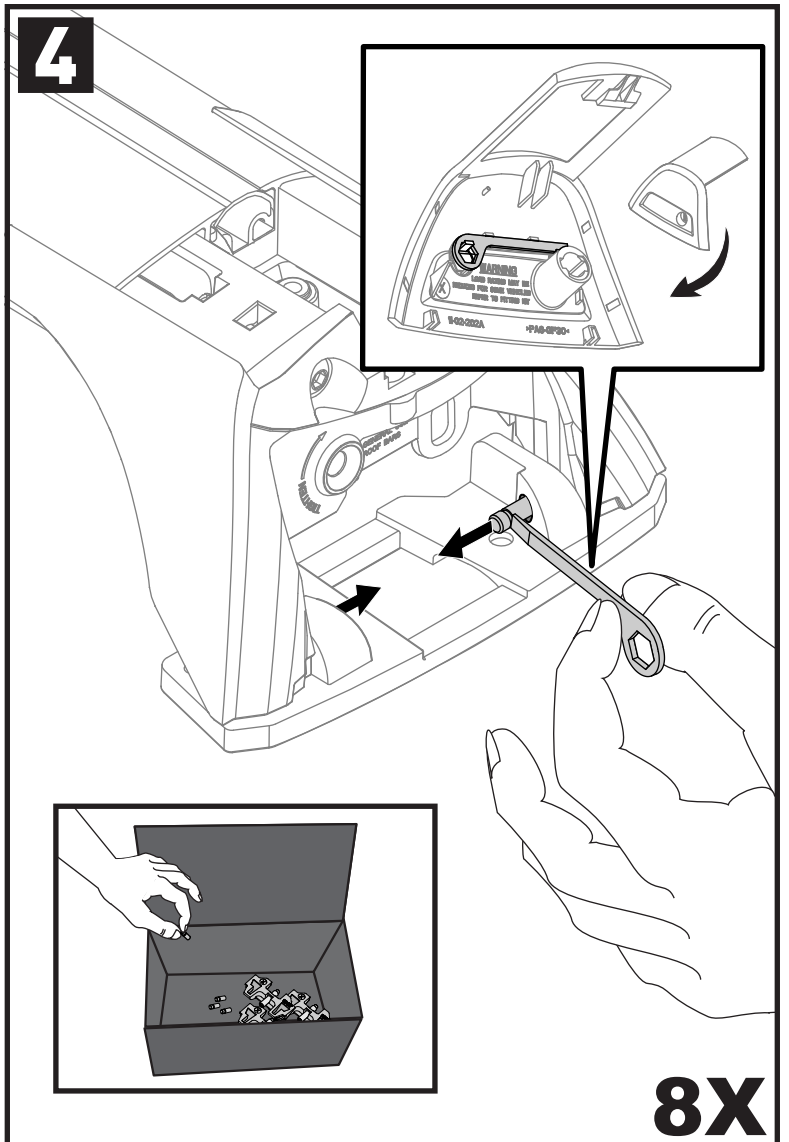
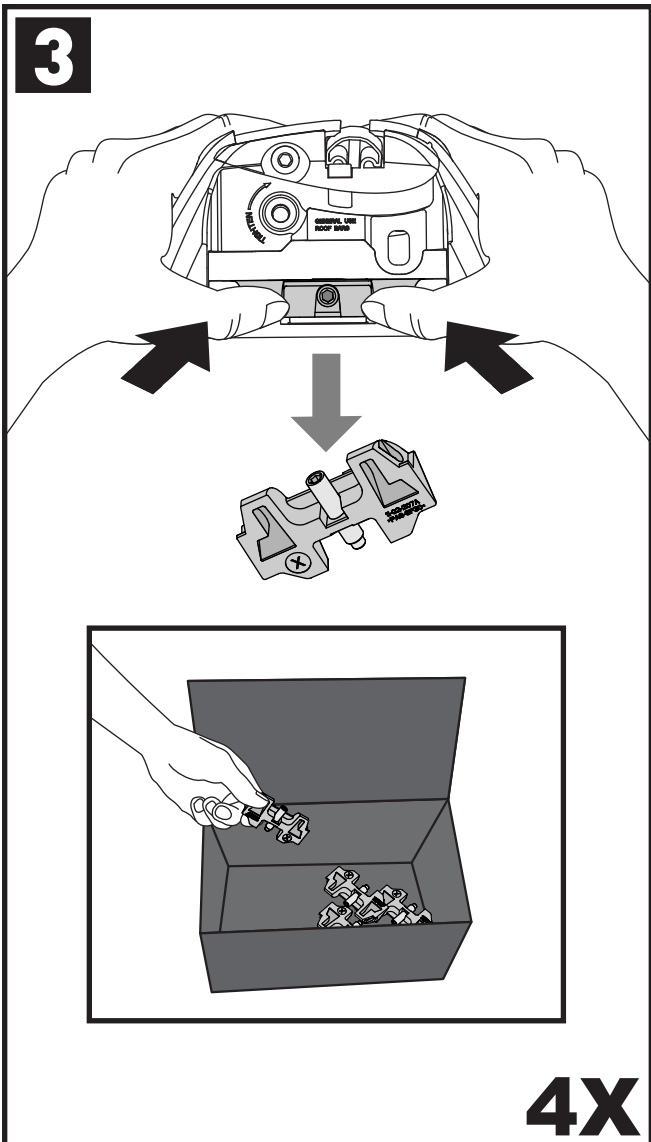
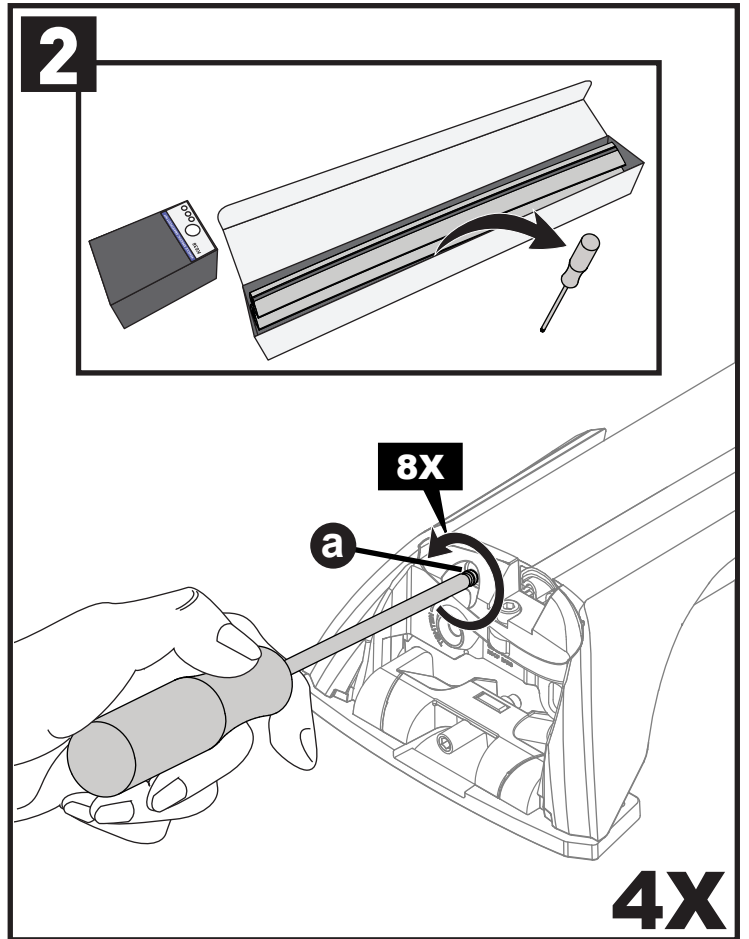
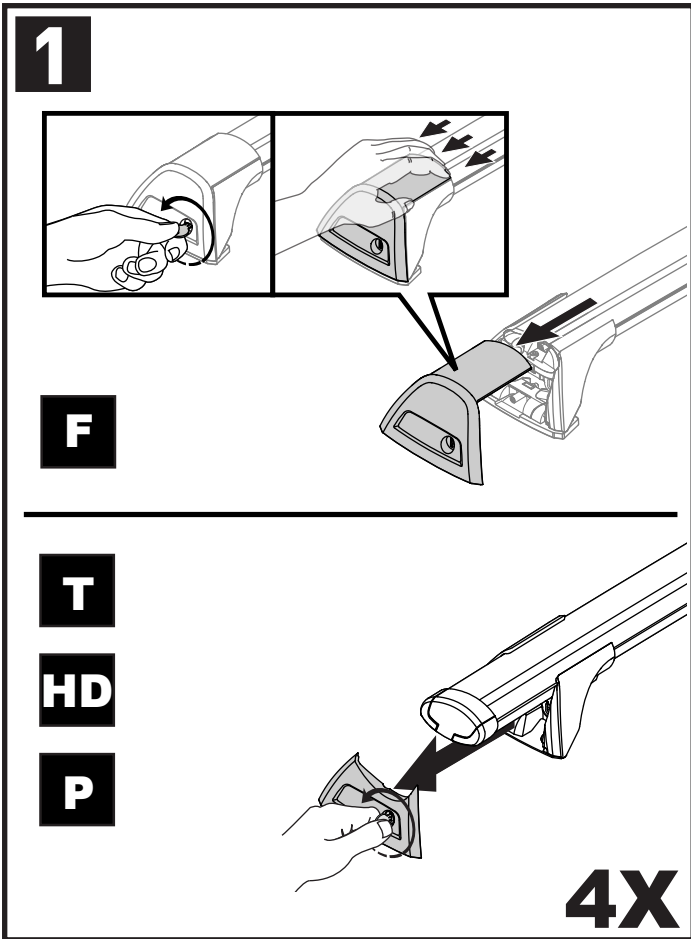


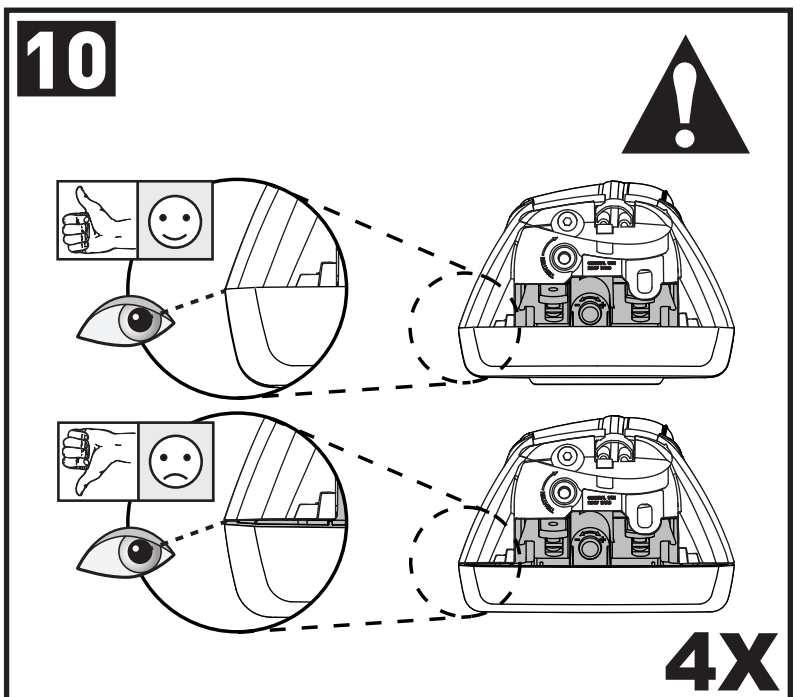
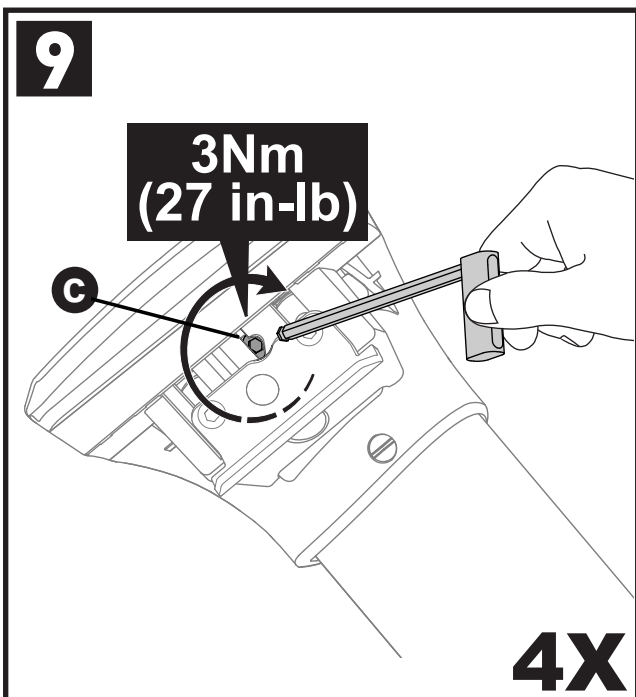
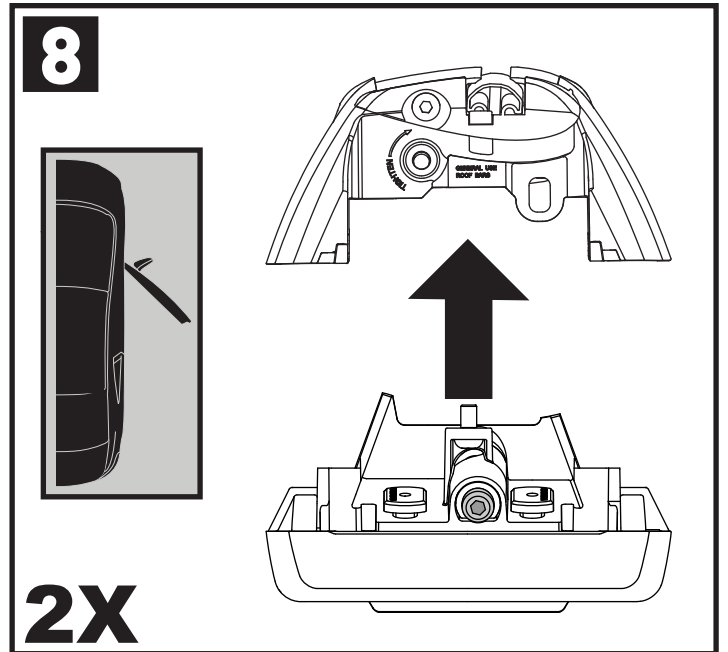
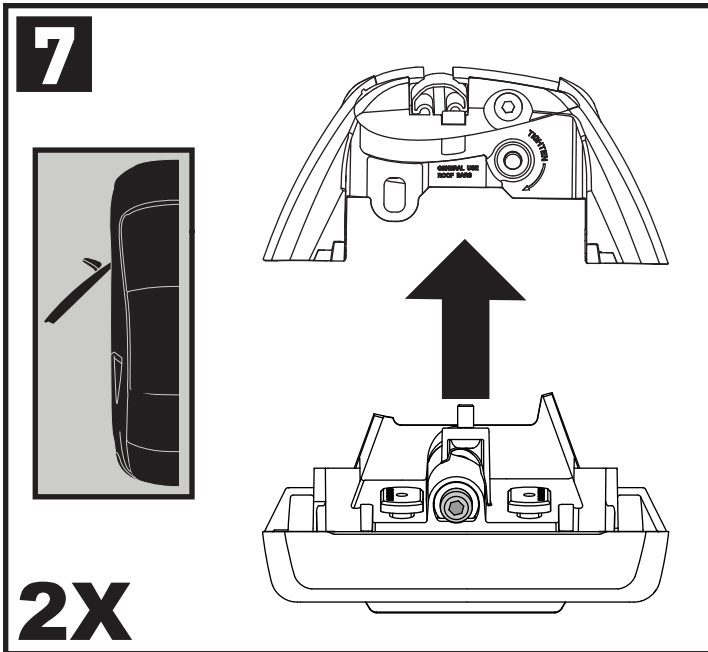
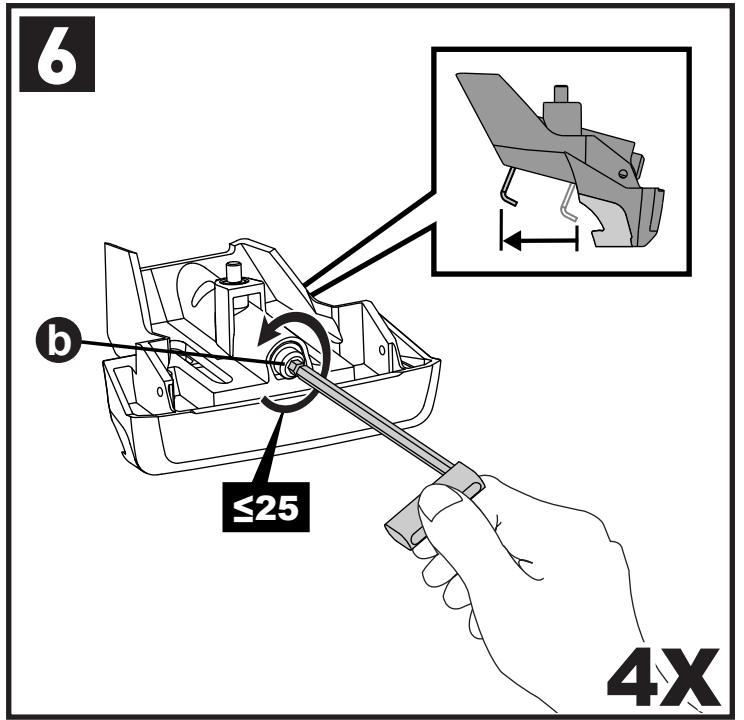
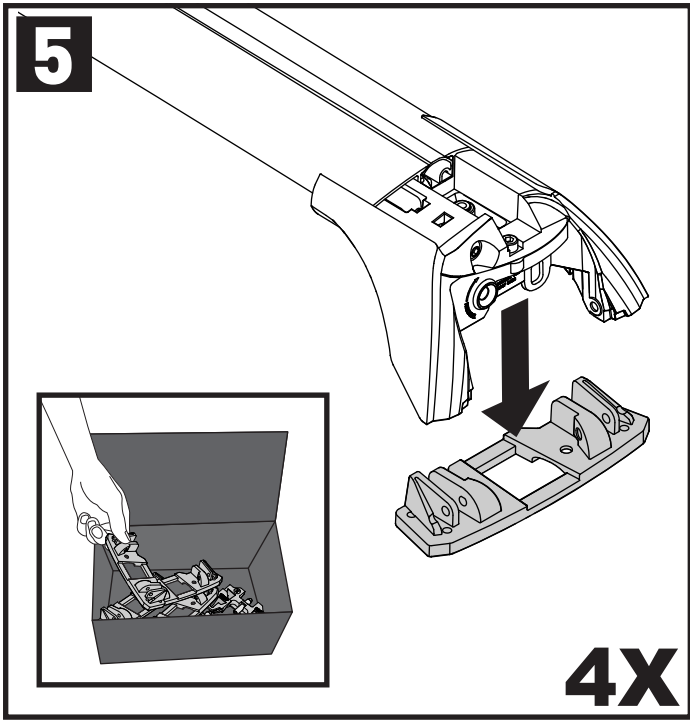
K667

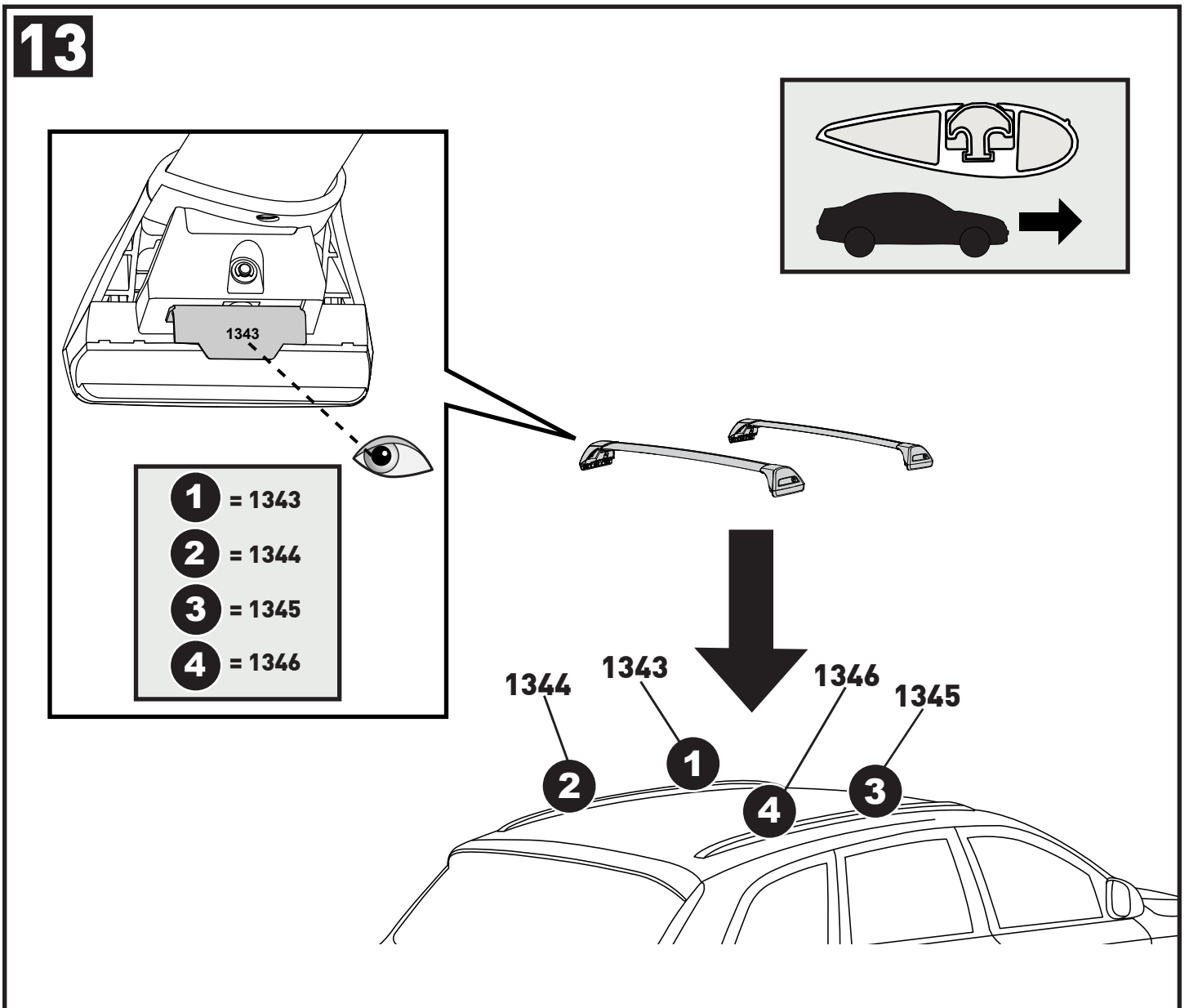
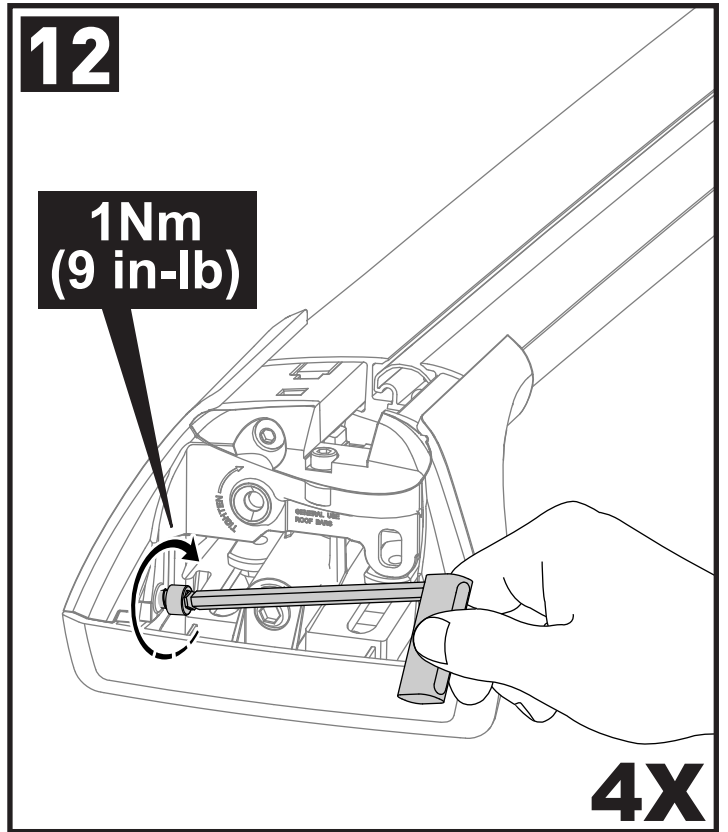
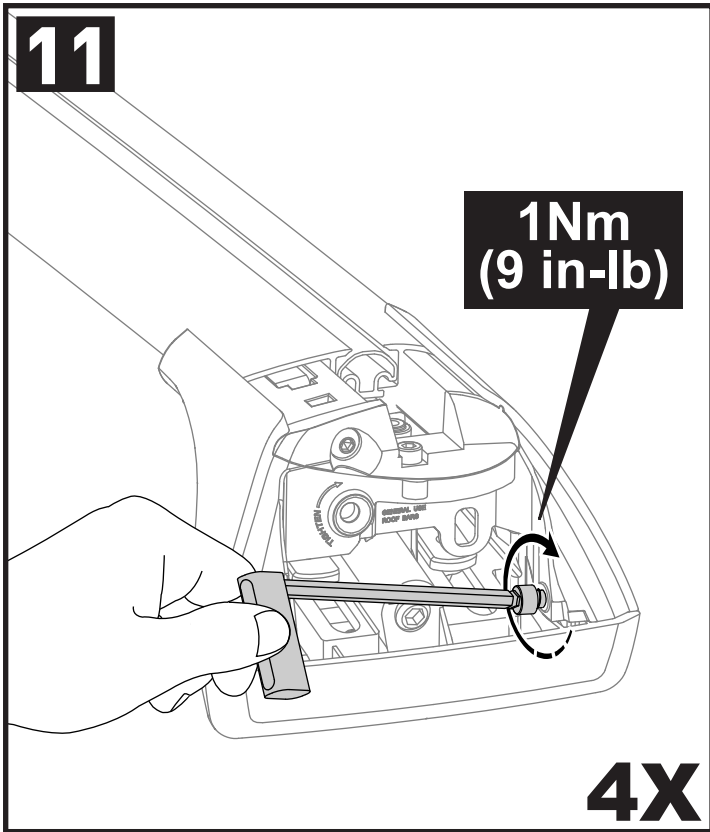


1.1 kg (2.5 lbs.)

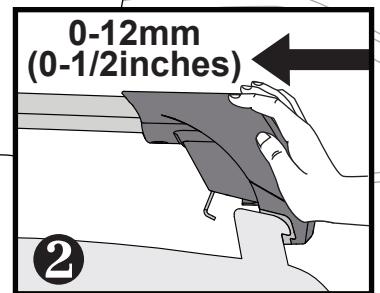
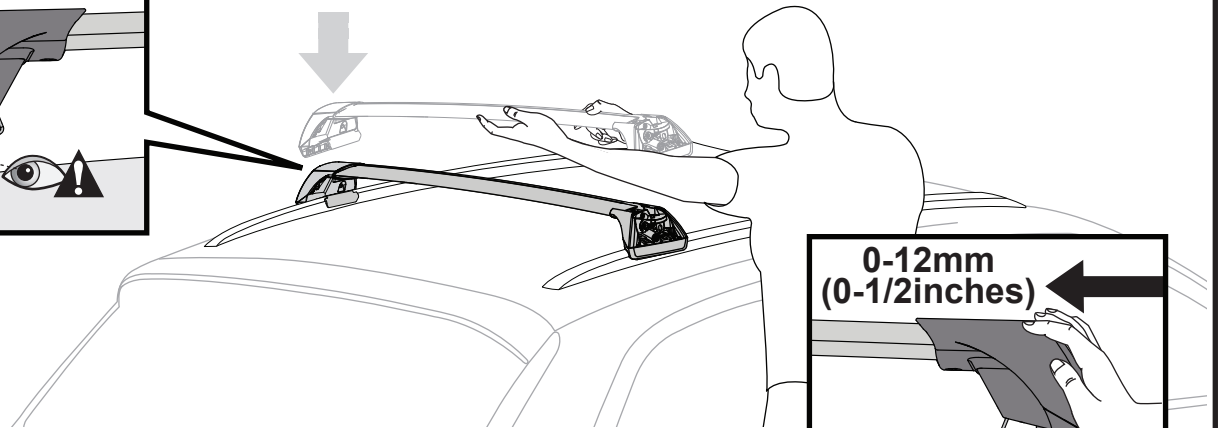
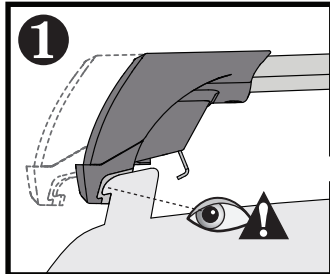
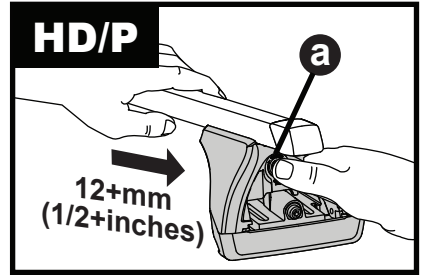
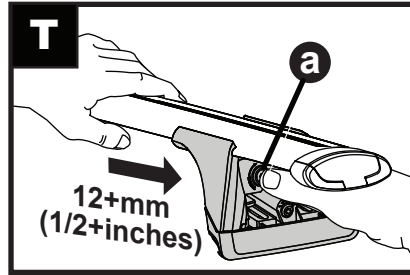
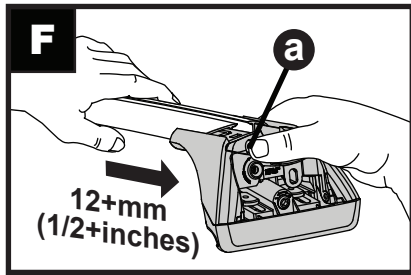






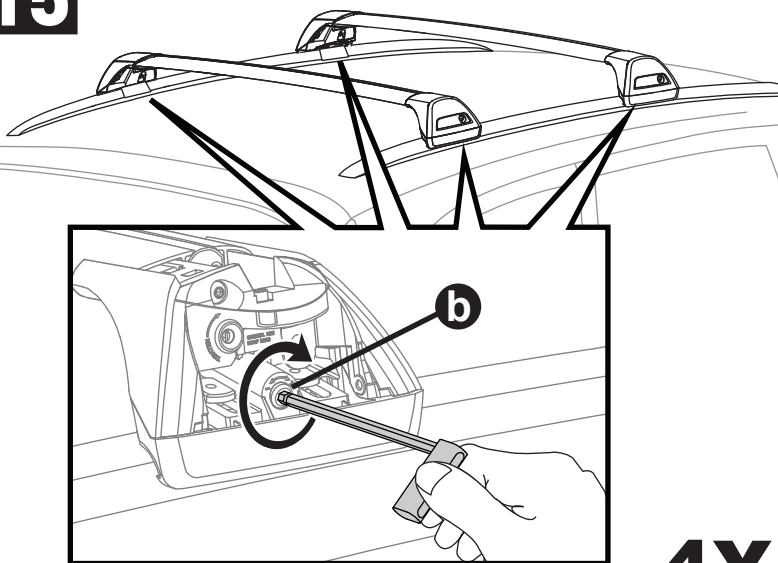


14



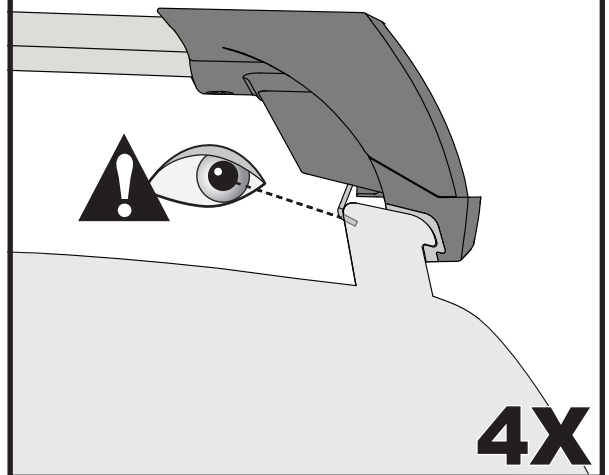
2X

15



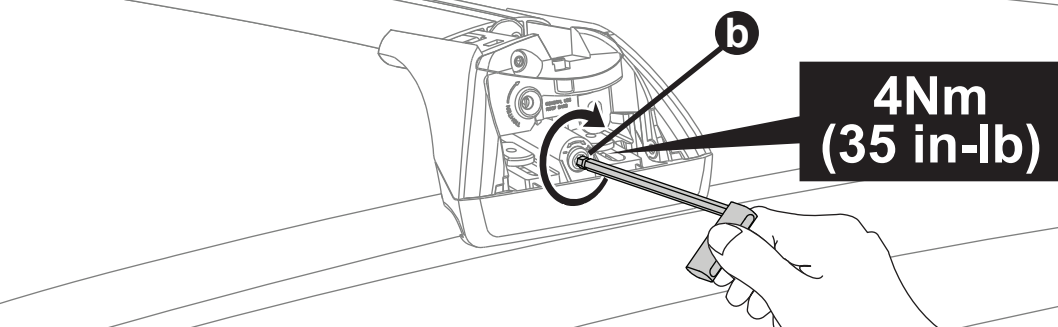
4X

16



4X

17

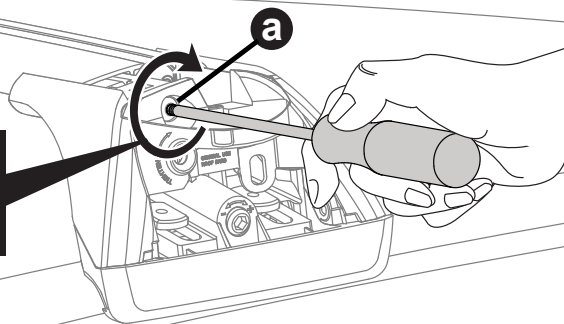


4X

18



3Nm
(27 in-lb)



4X

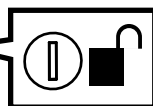
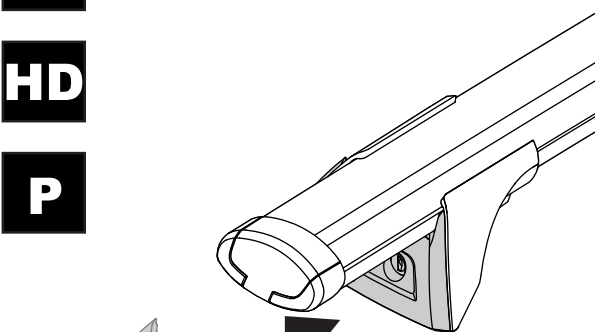
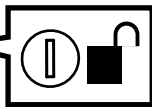
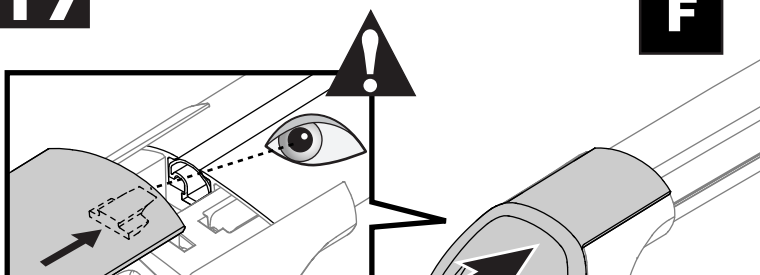
19

F

T

HD

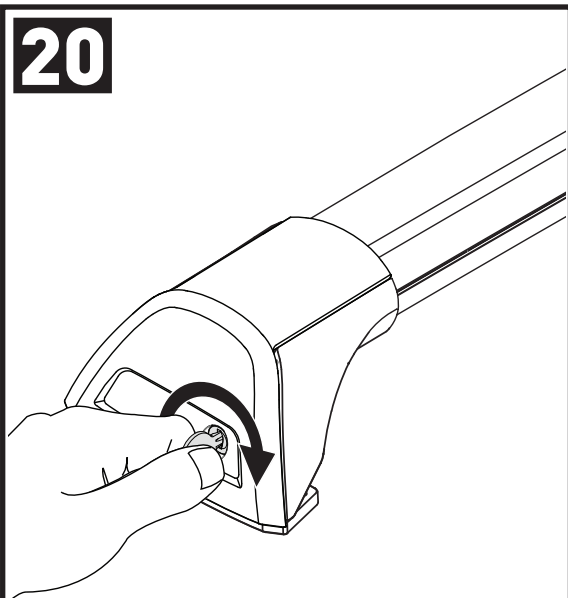
P



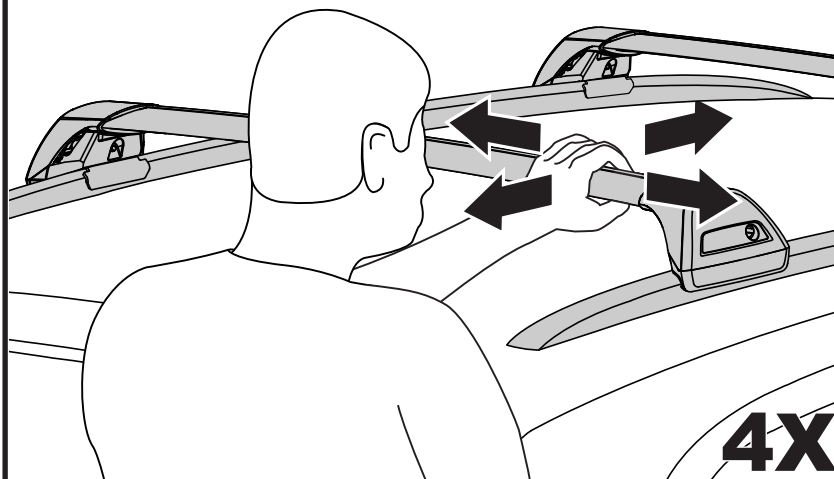
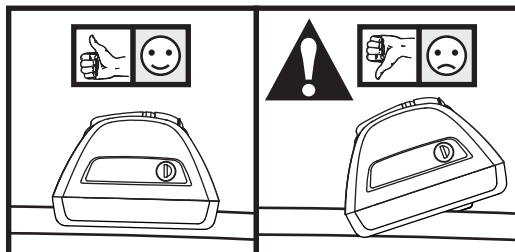
4X

20

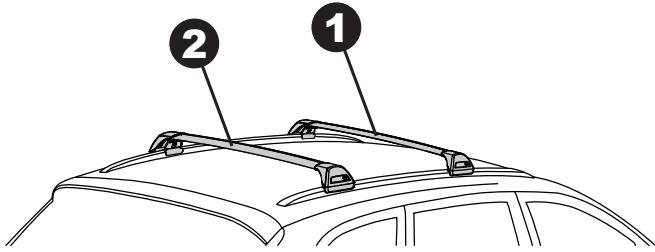
21



4X

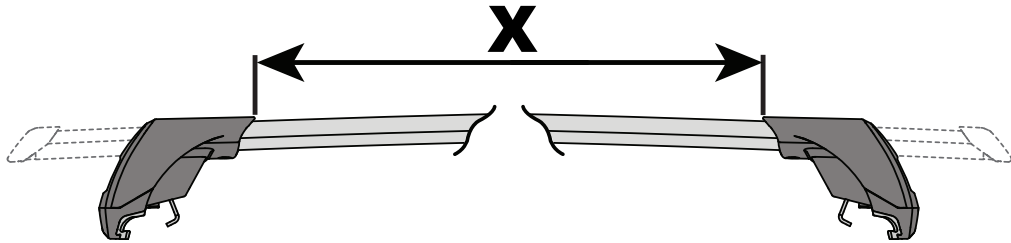


4X



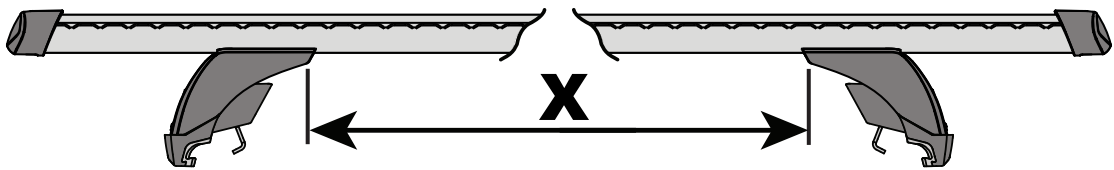
K667	X₁	X₂
508 EW	875mm/34 7/16"	830mm/34 11/16"
508 SW	885mm/34 7/8"	825mm/32 1/2"
508 Touring	885mm/34 7/8"	825mm/32 1/2"

F

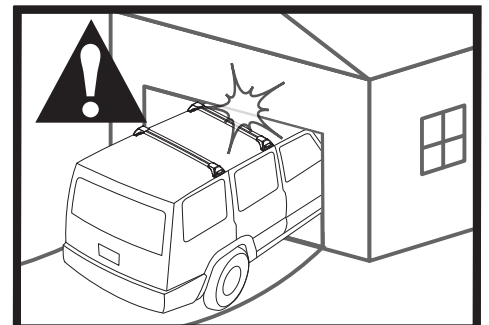
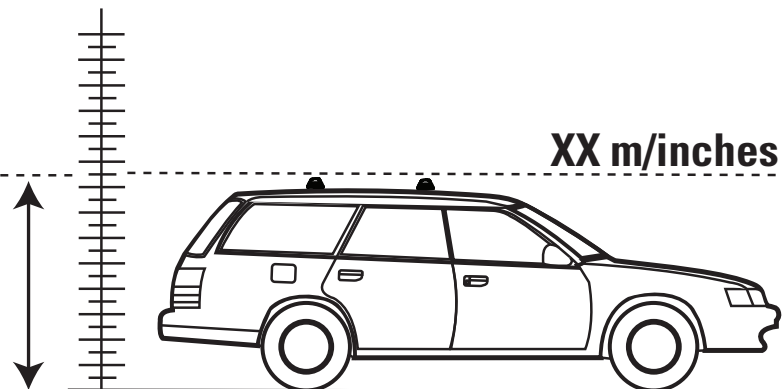
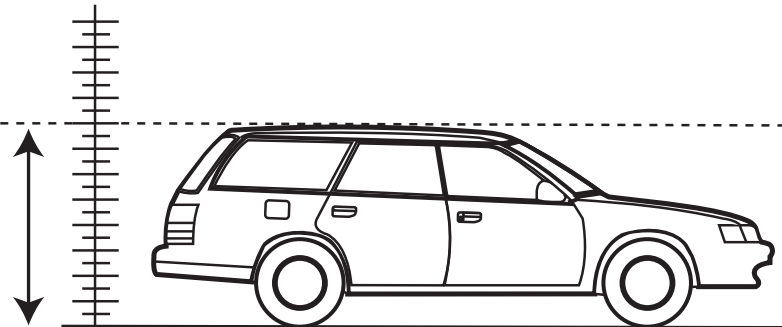
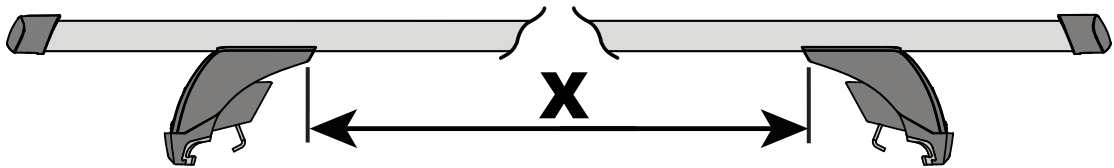


T

HD



P



**Record Height Here.
 Noter la hauteur ici.
 Escriba aquí la altura.
 Hier Größe eintragen.
 Annotate qui l'altezza.**