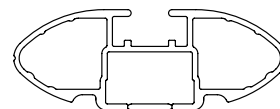
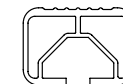




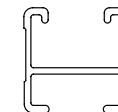
**CROSSBAR IDENTIFICATION**



**VA crossbar**



**EURO crossbar**



**HD crossbar**

Vehicle	Date	Crossbar	FRONT CROSSBAR					REAR CROSSBAR						
			Front Right Pad/Clamp	Front Left Pad/Clamp	Measurement strip length per side	Measurement strip length per side	Measurement Distance ( x )	Foot plate arrow direction	Rear Right Pad/Clamp	Rear Left Pad/Clamp	Measurement strip length per side	Measurement strip length per side	Measurement Distance ( x )	Foot plate arrow direction
KIA Picanto Gen 2 5dr Hatch	2011-	1180mm	M368 SUB0371	M368 SUB0371	162mm	107mm	892mm / 35,1/8"	OUT	M368 SUB0371	M368 SUB0371	141mm	86mm	850mm / 33,15/32"	OUT
			Pad Arrow OUT						Pad Arrow OUT					



# Rhino Rack 2500 Series - DK466 instruction

**CONTROLLED**

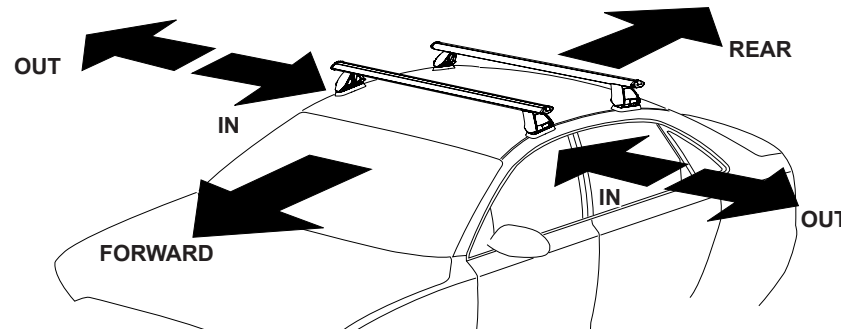
**Measurement A:** CENTRE of door jamb to CENTRE arrow of leg foot plate.

**Measurement B:** CENTRE of Front leg foot plate arrow to CENTRE of Rear leg foot plate arrow.

**Carrying capacity:** Roof rack is rated up to 75kg. Please refer to manufacturers handbook for your vehicles maximum roof load capacity. Always use the lower of the two figures.

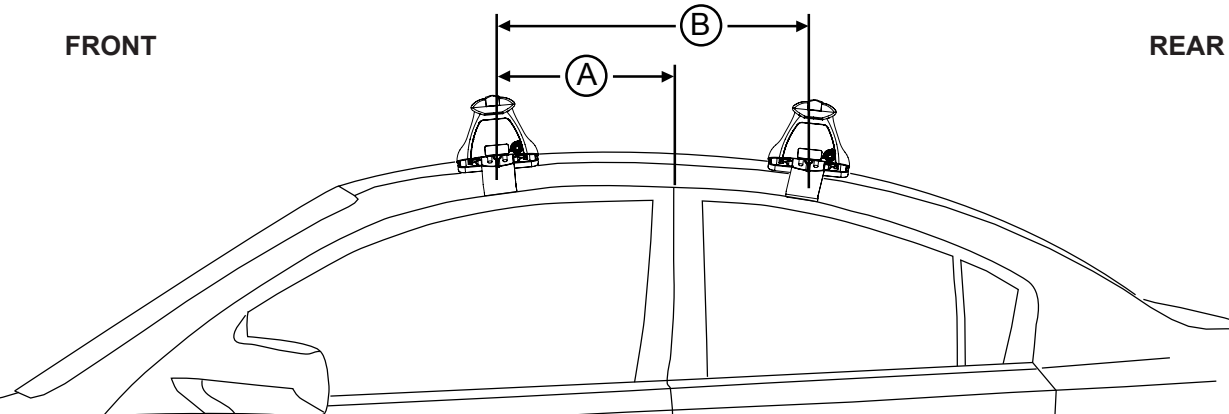
If your vehicle is not listed on this fitting instruction please refer to your countries Rhino-Rack web site for the latest information.

## Direction of Pad Arrow and Foot Plate Arrow



FRONT

REAR



VEHICLE	Date	Measurement A	Measurement B	Load Rating up to (includes racks 5kg/ 11lbs)
KIA Picanto Gen 2 5dr Hatch	2011 -	250mm / 9,27/32"	650mm / 25,19/32"	75kg / 165lbs