

FIRST TIME INSTALLATION

- Please read instructions carefully before installation.
- Check the contents of the kit. Contact your Prorack dealer if any parts appear missing or damaged.
- Clean your roof thoroughly prior to fitting the Prorack Heavy Duty Track and Crossbar System.

IMPORTANT WARNING!

IT IS CRITICAL THAT ALL PRORACK RACKS AND ACCESSORIES BE PROPERLY AND SECURELY ATTACHED TO YOUR VEHICLE. IMPROPER ATTACHMENT COULD RESULT IN AN AUTOMOBILE ACCIDENT, AND COULD CAUSE SERIOUS BODILY INJURY OR DEATH TO YOU OR TO OTHERS. YOU ARE RESPONSIBLE FOR SECURING THE RACKS AND ACCESSORIES TO YOUR CAR, CHECKING THE ATTACHMENTS PRIOR TO USE, AND PERIODICALLY INSPECTING THE PRODUCTS FOR ADJUSTMENT, WEAR, AND DAMAGE. THEREFORE, YOU MUST READ AND UNDERSTAND ALL OF THE INSTRUCTIONS AND CAUTIONS SUPPLIED WITH YOUR PRORACK PRODUCT PRIOR TO INSTALLATION OR USE. IF YOU DO NOT UNDERSTAND ALL OF THE INSTRUCTIONS AND CAUTIONS, OR IF YOU HAVE NO MECHANICAL EXPERIENCE AND ARE NOT THOROUGHLY FAMILIAR WITH THE INSTALLATION PROCEDURES, YOU SHOULD HAVE THE PRODUCT INSTALLED BY A PROFESSIONAL INSTALLER SUCH AS A ROOF RACK SPECIALIST.

TOOLS AND COMPONENTS REQUIRED

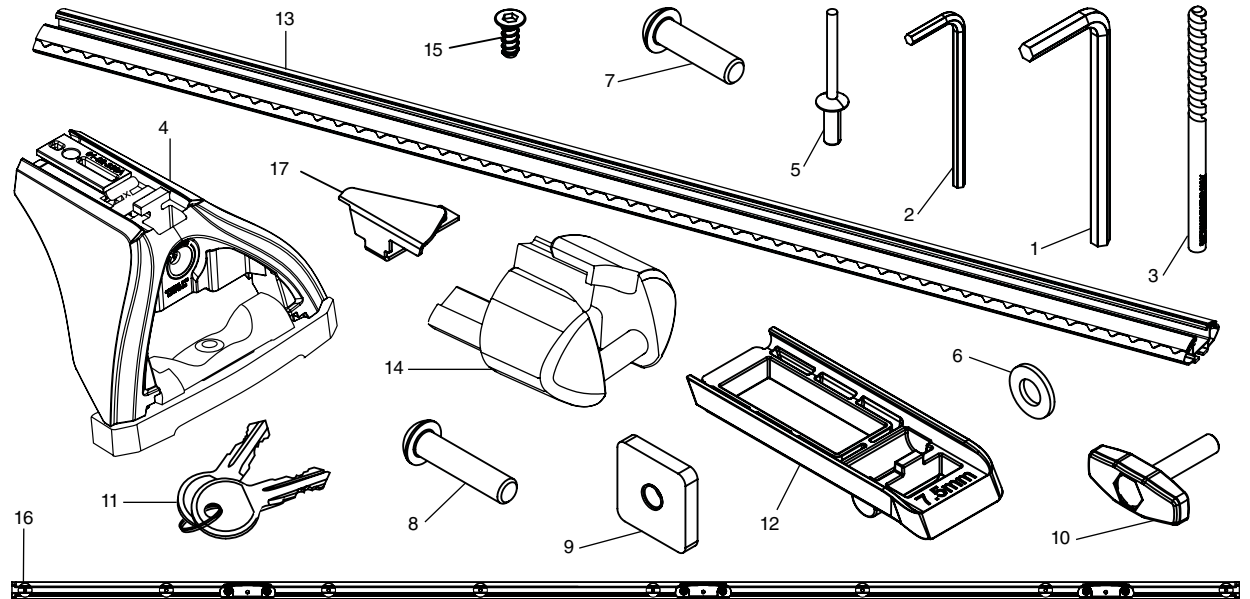
- Allen Key (provided)
- Wrench
- Vacuum Cleaner
- Rivet Gun
- Rivets (provided)
- Zinc Rich Cold Galvanizing Coating
- Mastic Silicone Sealant
- Ø4mm or Ø5mm Pin Punch
- Drill Stop
- Saw
- Soft Pencil

ABBREVIATIONS

Abbreviation	Corresponding Text
LHS	Left Hand Side
RHS	Right Hand Side

KIT CONTENTS

Item	Component	Qty
1	Allen Key 5mm	1
2	Allen Key 3mm	1
3	Drill Bit 4.9mm	1
4	Leg Assembly	6
5	Rivet ø4.8 x 13.5mm Sealed	18
6	Washer M8 x 16.8 x 1.7mm	6
7	Capscrew Button Head M8 x 30	2
8	Capscrew Button Head M8 x 35	2
9	Nut Square M8 28 x 28 x 5	4
10	Knob 2 Lobe with M6 x 30 Hex Bolt	6
11	Key (set of 2)	1
12	Trades Height Packer P3	6
13	Prorack HD Bar & Strip Assembly 1500mm	3
14	Prorack HD Endcap	2
15	Endcap Screw Self Tap Ø4 x 10.4mm M	6
16	Track Assembly Hyundai iLoad	2
17	Track End Cap Hyundai iLoad	6



TRACK INSTALLATION GUIDE FOR HYUNDAI ILOAD

1 BEFORE BEGINNING INSTALLATION

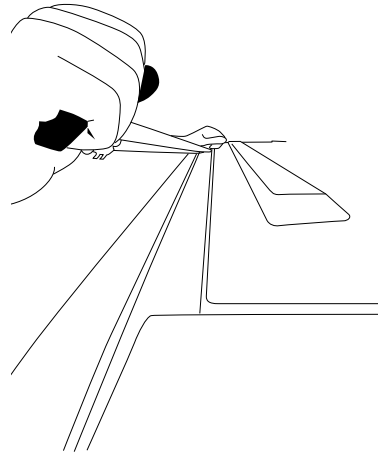
Clean roof thoroughly and allow to dry before beginning installation.

REMOVE ROOF CHANNEL TRIM

To begin, carefully lift leading edge of trim and gradually unhook plastic clips by gently twisting trim in an outward direction. Repeat on other side of vehicle.

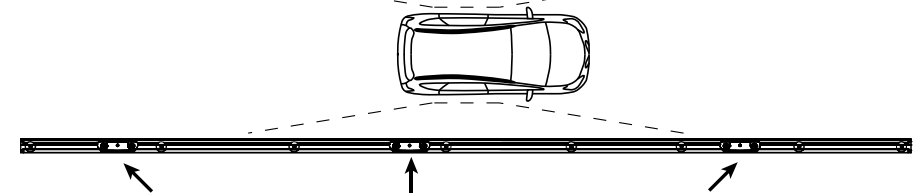
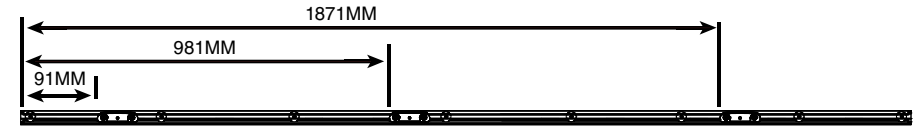
Store channel trim in a safe location for use in *Step 15: Cut Roof Channel Trim to Size and Refit*.

The roof channel must be free of any debris before installation begins. Clean well and allow to completely dry before proceeding with track installation.



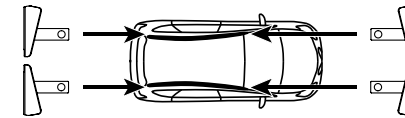
2 TRACK AND ENDCAP POSITIONING

TRACK POSITION



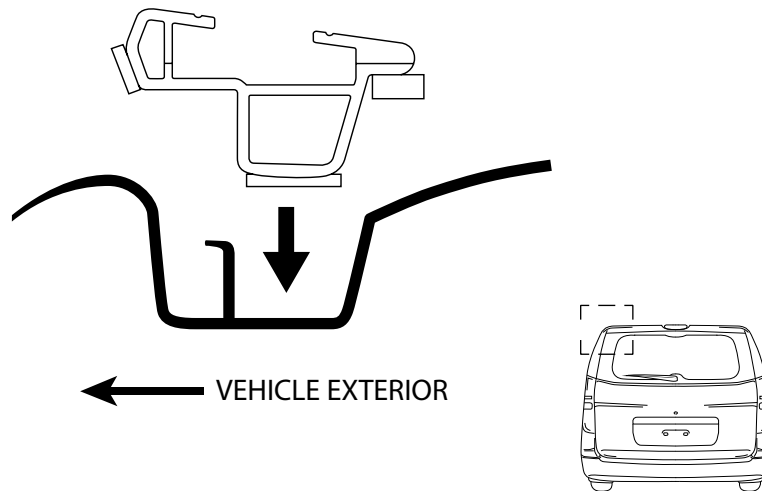
Mounting assembly pads are pre-installed in the recommended locations and do not require adjustment. These pads may be re-positioned if required. For assistance, contact your local Prorack dealer.

ENDCAP POSITION



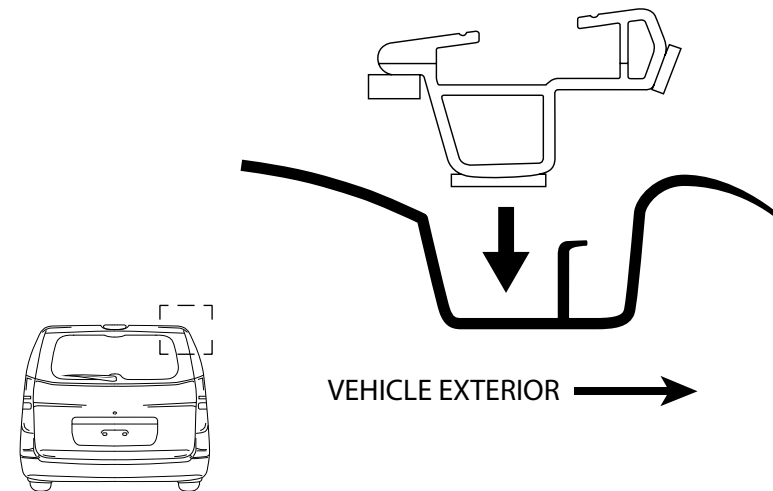
3 TRACK ORIENTATION (LHS)

NOTE: Image depicts LEFT track extrusion as viewed from rear of vehicle.



4 TRACK ORIENTATION (RHS)

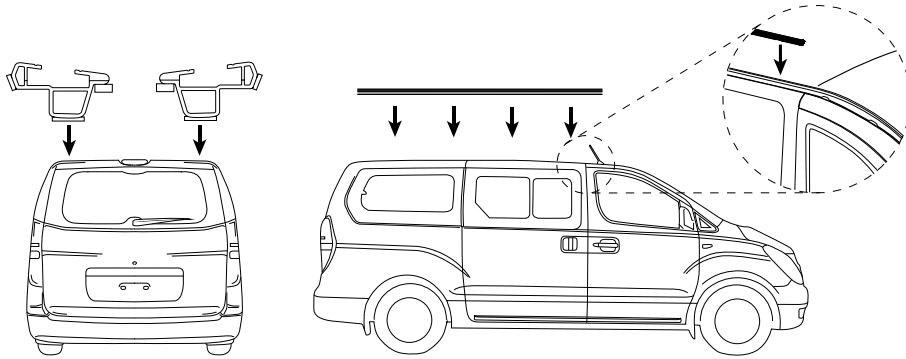
NOTE: Image depicts RIGHT track extrusion as viewed from rear of vehicle.



5 PLACE TRACKS INTO ROOF CHANNEL

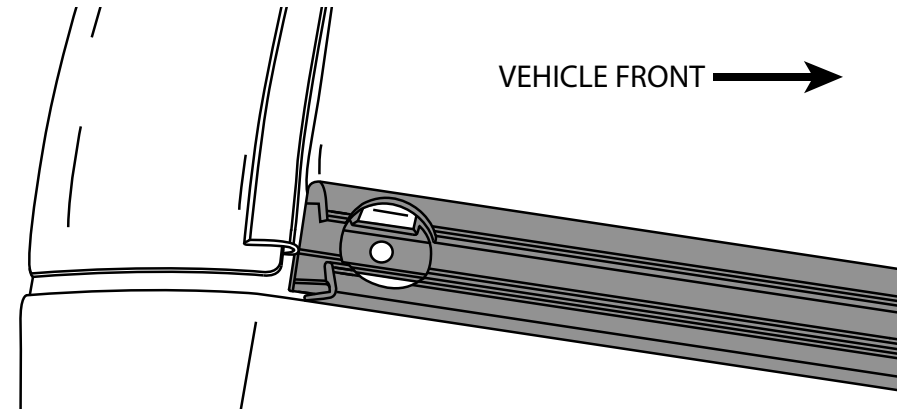
Temporarily remove door seal rubber above sliding door for easy track installation. Be careful not to damage. Alternatively once tracks are positioned, door seal rubber can be depressed with fingertips to establish tracks within roof channel.

Position tracks into roof channel, as shown below, taking note of track orientation.



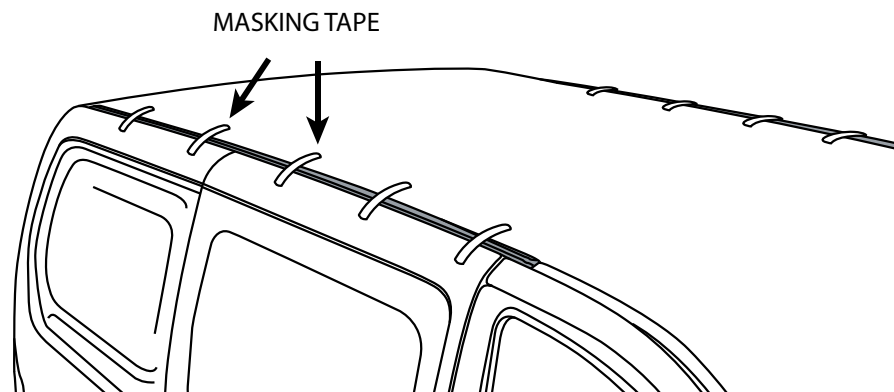
6 ALIGN TRACKS

Adjust the tracks to ensure the rear track end is aligned with the end of the roof channel.



7 FIRMLY SECURE TRACKS PRIOR TO DRILLING

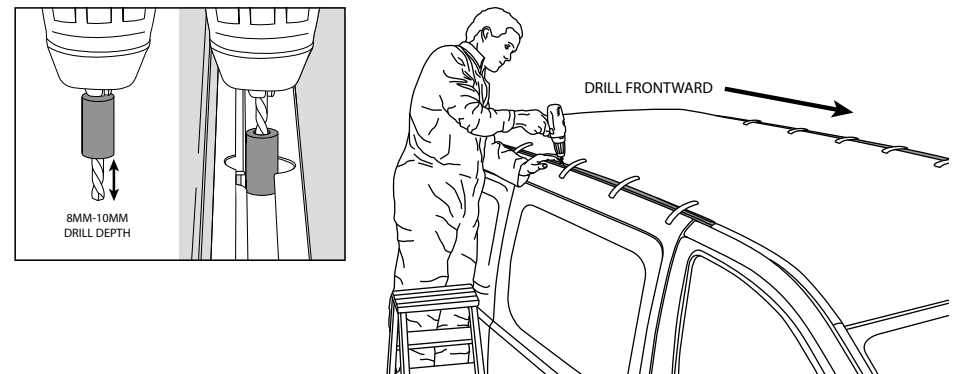
Apply sufficient masking tape to the tracks to eliminate movement within the roof channel during spot drilling. Alternatively, seek assistance from a suitably qualified assistant.



8 DRILL ROOF CHANNEL

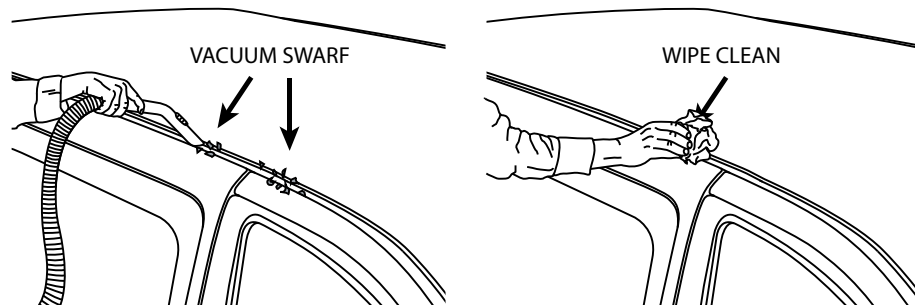
Using a 4.9mm drill bit, drill each track hole **starting from the rear of the vehicle working consecutively frontward**. Ensure the track does not move during this process and that a drilling angle perpendicular to the track base is maintained. Once complete, remove tracks taking care not to scratch the vehicle.

NOTE: Depending on vehicle variants, a second roof skin may require drilling. To avoid drilling into roof lining, use a drill stop which allows 8-10mm drill depth.



9 REMOVE SWARF

Avoid scratching the vehicle and pushing swarf into the newly drilled holes by removing swarf with a vacuum cleaner. Once all vacuumable swarf has been removed, gently wipe down the roof channel with a clean damp cloth. Allow to dry completely.

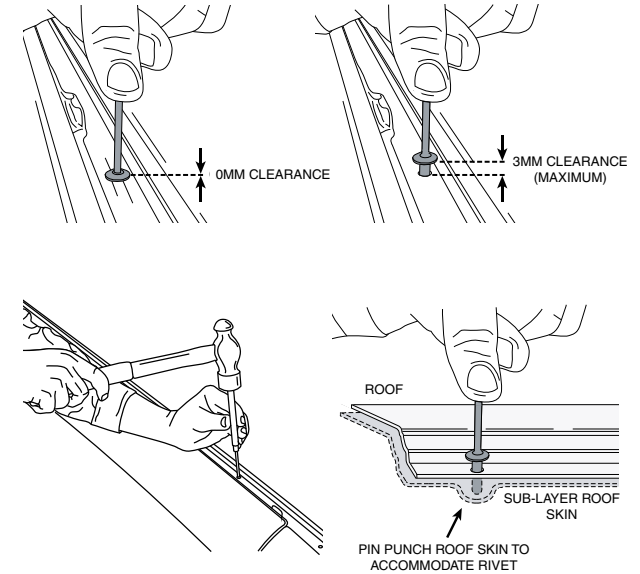


10 RIVET CLEARANCE

Check there is adequate rivet clearance by placing the rivet shop head into each drilled roof channel hole.

Ensure the distance between the rivet shop head and roof channel is between 0mm - 3mm as shown right.

If the distance between these components is greater than 3mm, the sub-layer roof skin will require modification with a Pin Punch tool to accommodate the rivet. Using the Ø4mm or Ø5mm Pin Punch tool, carefully dent the metal skin sufficiently, as



11 APPLY PROTECTIVE SEALANTS

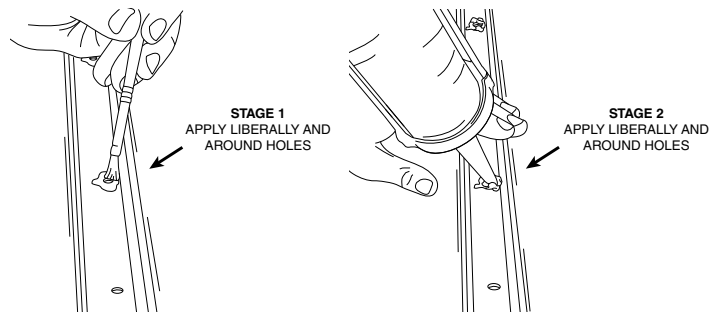
Protect roof channel by applying liberal amounts of protective sealants, as described.

Stage 1

Apply a zinc rich cold galvanising compound to the inside surface and surrounds of each drilled hole. Ensure the solution has adequate time to become touch dry before proceeding with Stage 2 (approximately 10 minutes depending on product used).

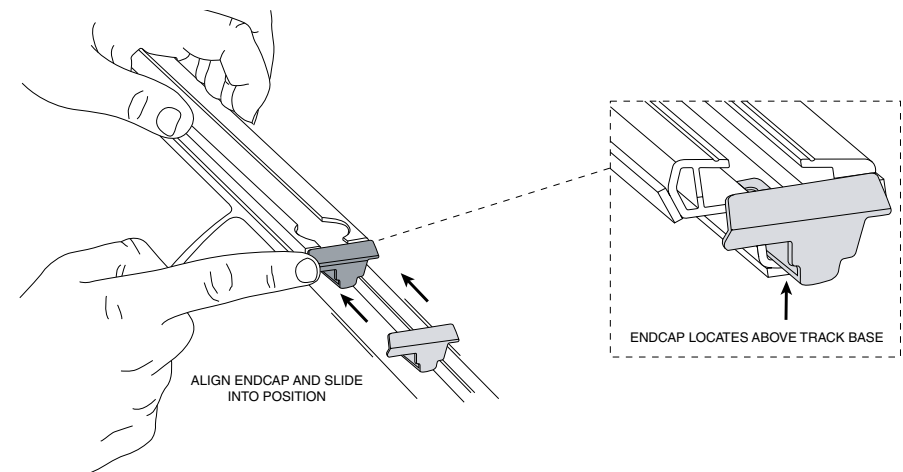
Stage 2

Apply a mastic silicone sealant to the inside surface and surrounds of each hole.



12 TRACK AND ENDCAP FITMENT

Place tracks back into roof channel. Assemble endcaps within tracks as shown. Refer to *Step 2: Track and Endcap Positioning* for orientation.

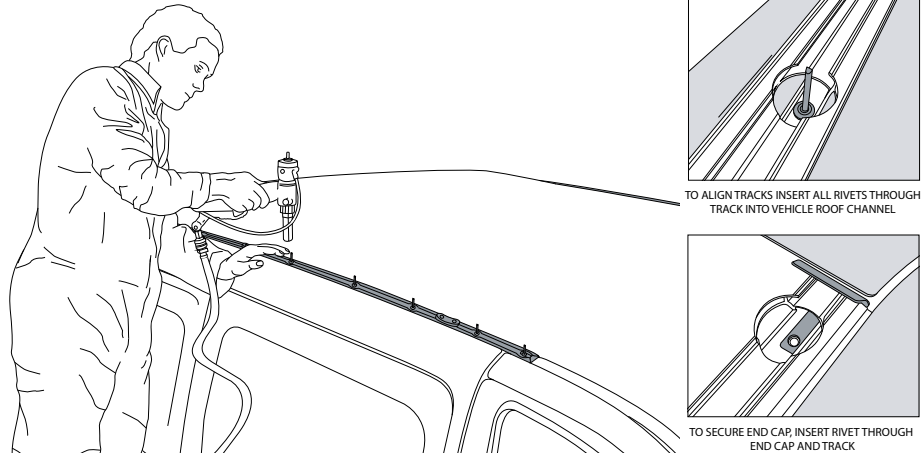


NOTE: If door seal rubber was not removed in *Step 5: Place Tracks into Roof Channel*, depress rubber with fingertips to locate in channel.

13 TRACK INSTALLATION

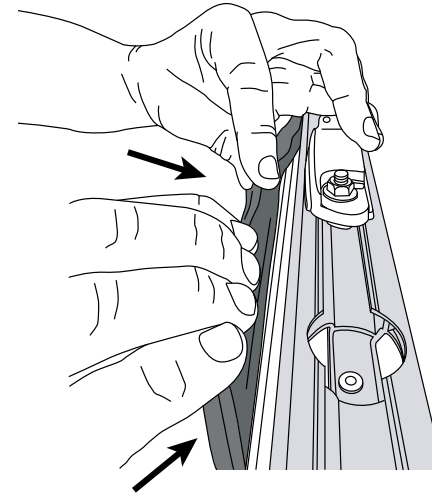
Align tracks and secure endcaps by inserting **all rivets**.

Using a Rivet Gun, punch each rivet **starting from the rear of the vehicle working consecutively forward**.



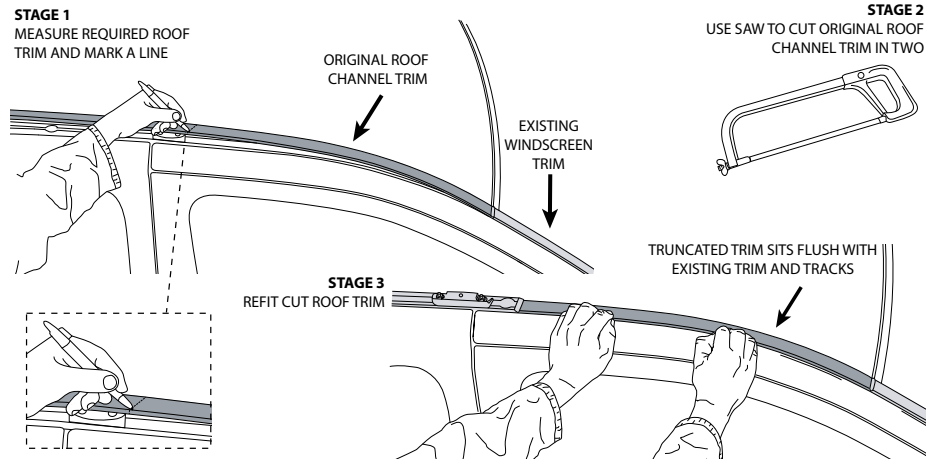
14 REFIT DOOR SEAL RUBBER (IF REMOVED)

Refit door seal rubber above sliding door if removed in *Step 5: Place Tracks Into Roof Channel*.



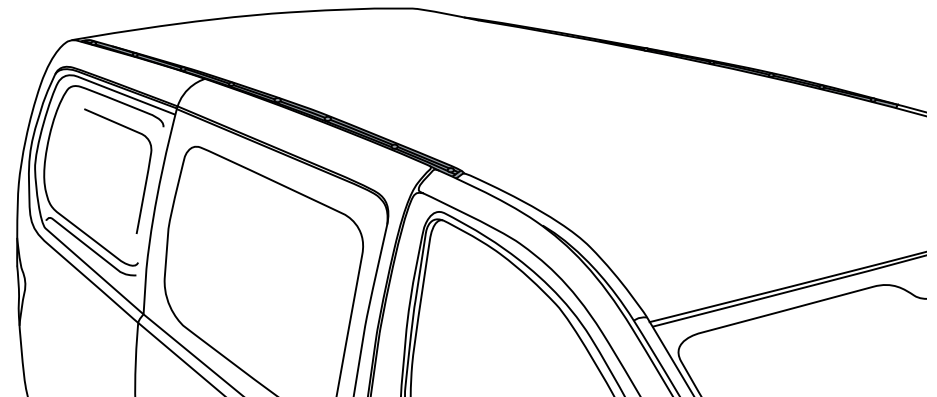
15 CUT ROOF CHANNEL TRIM TO SIZE AND REFIT

To conceal exposed roof channel, cut to length the original roof trim. Measure out the required length by positioning the trim along the roof channel as shown. Once aligned use a pencil to mark a reference line. Remove trim from vehicle and cut to length using a saw. Refit trim piece.



16 TRACK INSTALLATION COMPLETE

Check both tracks are secured to the vehicle as per these installation instructions. For assistance contact your local Prorack dealer.

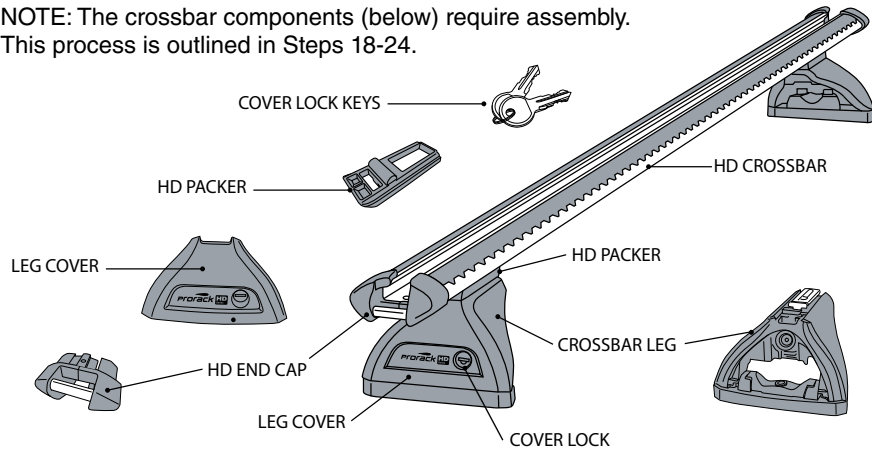


HEAVY DUTY CROSSBAR ASSEMBLY GUIDE FOR HYUNDAI ILOAD

17 PRORACK HEAVY DUTY (HD) CROSSBARS

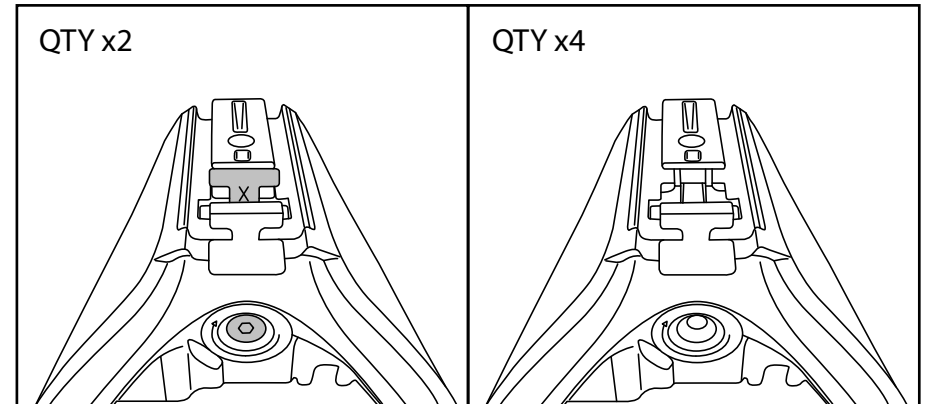
The Prorack HD crossbar components are illustrated below.

NOTE: The crossbar components (below) require assembly. This process is outlined in Steps 18-24.



18 ATTENTION! TWO DIFFERENT LEG ASSEMBLIES

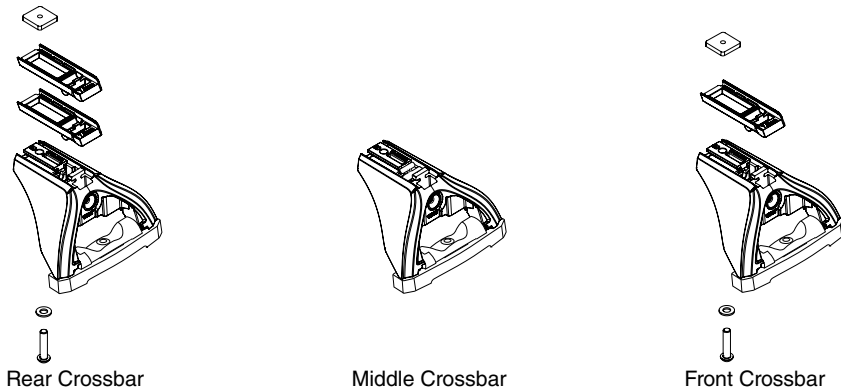
The CVS002 Prorack Heavy Duty Track and Crossbar System for Hyundai iLoad / iMax 2008+ includes two different crossbar leg assemblies. Note the differences below.



NOTE: HD height packers can only be assembled onto this leg configuration.

19 THREE BAR SYSTEM HD HEIGHT PACKERS

HD height packers are used to level the crossbars on the vehicle roof. The required number of HD height packers are two for the rear bar, none for the middle bar and one for the front bar.



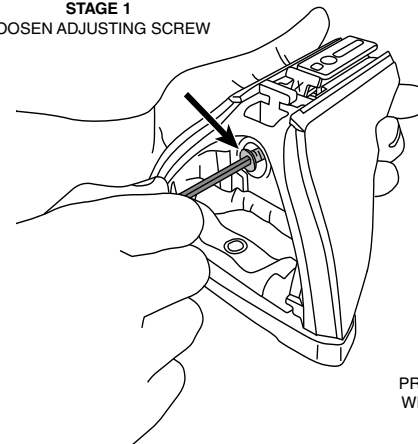
NOTE: Use the longer supplied capscrew for the rear bar assembly.

20 CROSSBAR ASSEMBLY (WITHOUT HD HEIGHT PACKERS)

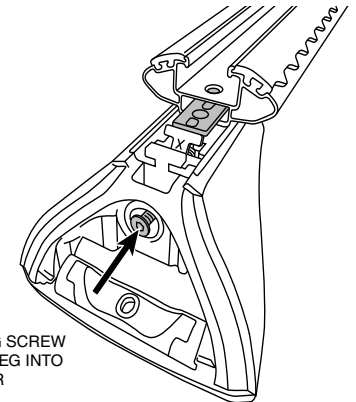
Loosen the adjusting screw with the Allen key, approximately 10 turns.

To assemble, press in the adjusting screw and slide the leg into the bottom slot of the crossbar as shown. Repeat process for remaining leg assembly.

STAGE 1
LOOSEN ADJUSTING SCREW

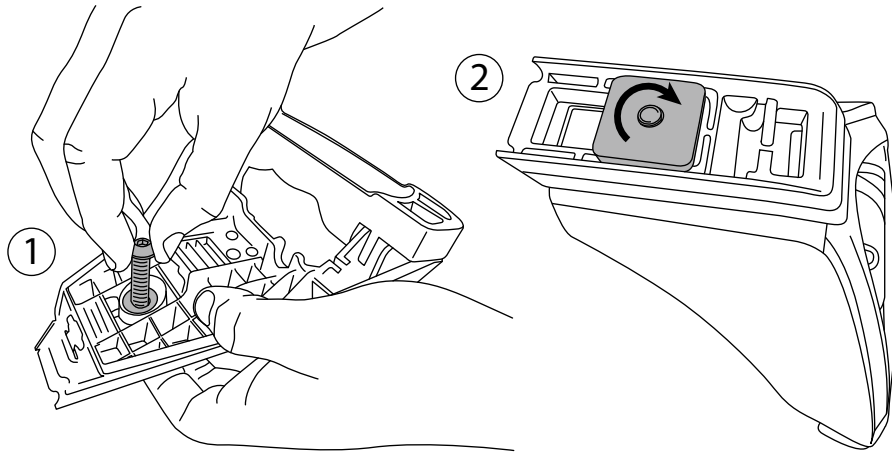


STAGE 2
PRESS ADJUSTING SCREW
WHILST SLIDING LEG INTO
CROSSBAR



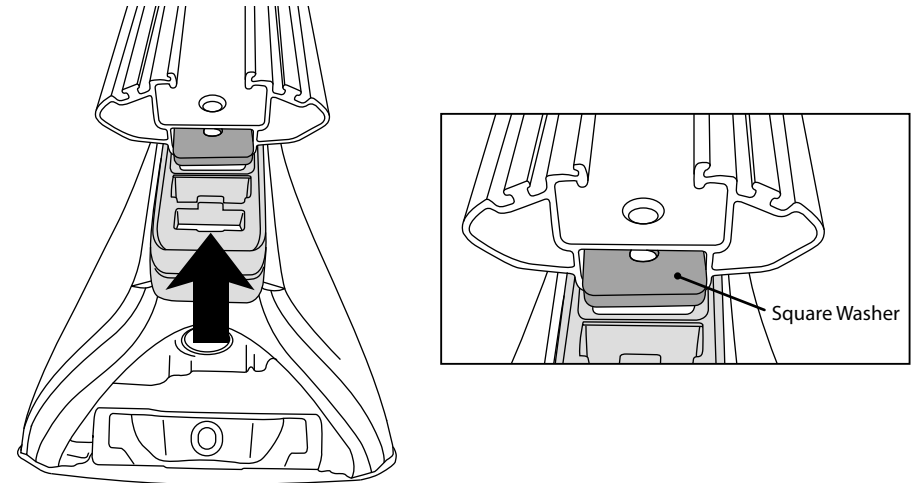
21 LEG ASSEMBLY (WITH HD HEIGHT PACKERS)

Insert the capscrew and square washer together through the back of the crossbar leg. Assemble the nut onto the capscrew. **Do NOT tighten fully.**



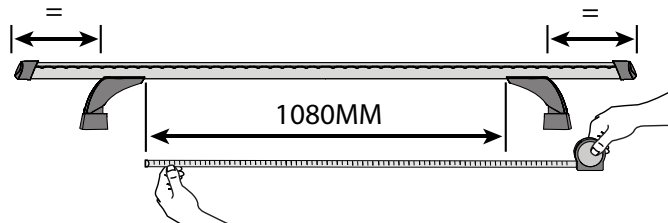
22 CROSSBAR ASSEMBLY (WITH HD HEIGHT PACKERS)

Place the leg assembly onto the crossbar. Ensure the nut goes into the bottom slot of the crossbar as shown. Repeat process for remaining leg assemblies.



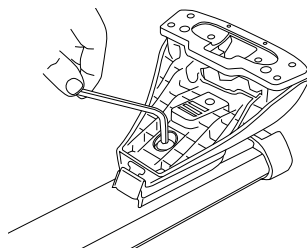
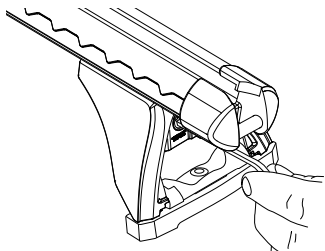
23 SET LEG TO LEG MEASUREMENT AND SECURE

Adjust the crossbar legs as shown. Ensure even crossbar overhand on each side.



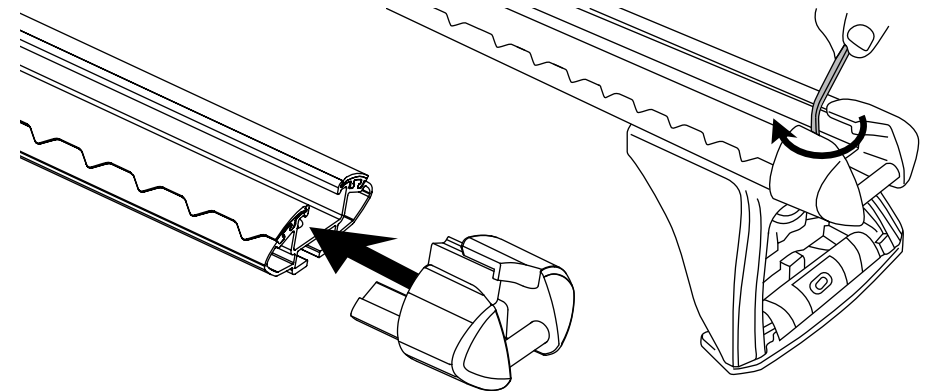
For leg assemblies **without HD height packers**, tighten adjusting screw to 2 Nm.

For leg assemblies **with HD height packers**, tighten capscrew to 5 Nm.



24 CROSSBAR ENDCAPS

Insert the crossbar endcap as shown. Use the hex key and endcap screw to secure the endcaps to the crossbar. Repeat for all crossbars.

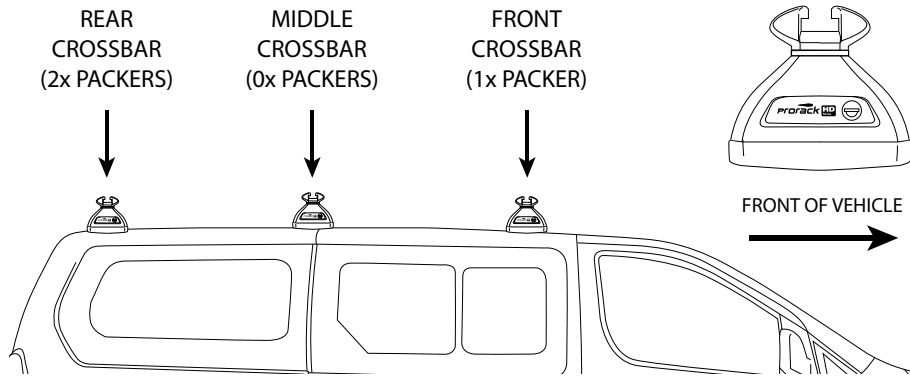


HEAVY DUTY CROSSBAR INSTALLATION GUIDE FOR HYUNDAI ILOAD

25 CROSSBAR ORIENTATION AND POSITION

When installing crossbars ensure:

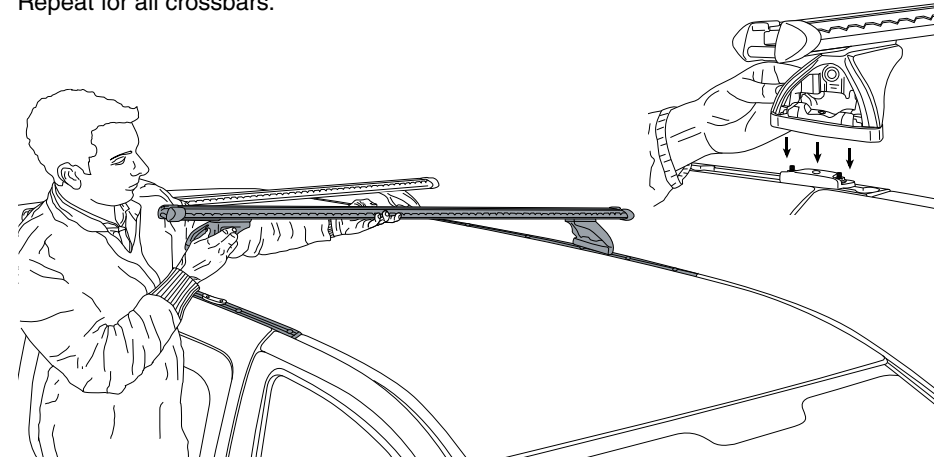
1. Cover locks are positioned towards the front of the vehicle. To identify direction, temporarily fit (then remove) cover.
2. Take note of the height of each crossbar and ensure correct placement.



26 CROSSBAR FITMENT

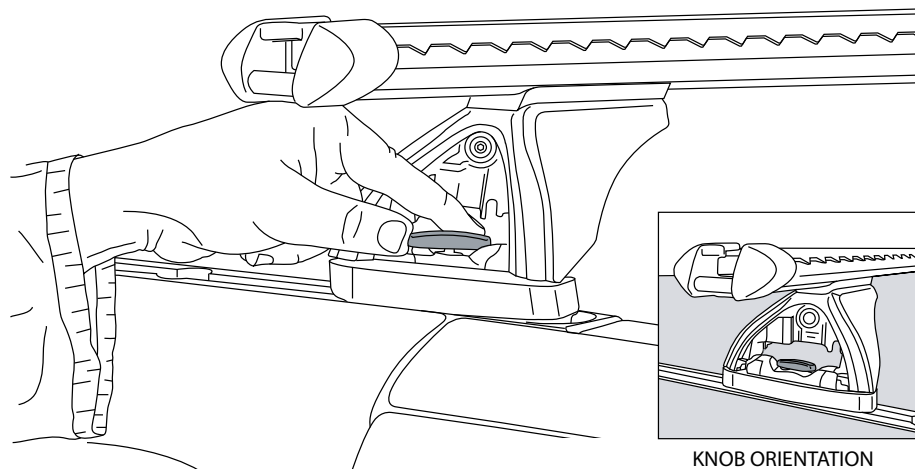
Carefully place the left hand crossbar leg over the left hand track mounting assembly pad. **Take care not to damage the vehicle.** Once positioned, pull the right hand crossbar leg towards you and locate within the associated mounting assembly pad.

Repeat for all crossbars.



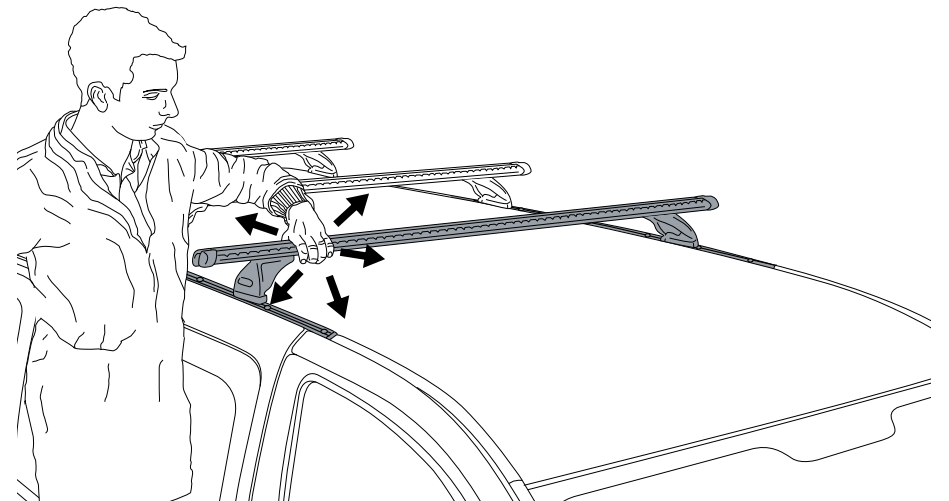
27 SECURE CROSSBARS TO TRACKS

Using the plastic knobs provided, secure each crossbar leg as shown, (hand tight). Ensure all plastic knobs are aligned as highlighted.



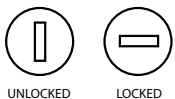
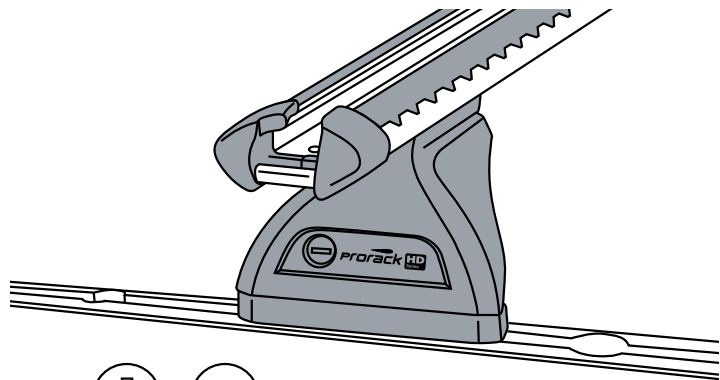
28 CHECK CROSSBARS LEGS ARE SECURE

Check all six crossbar legs are secure.



29 FIT COVERS

Using the keys and covers supplied, fit and relock all six crossbar covers.




30 CROSSBAR KEYS

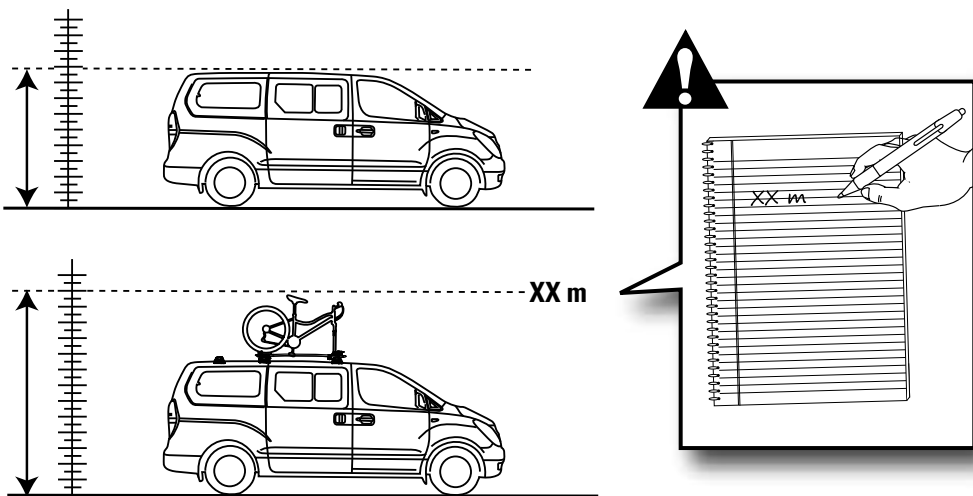
Place one key on the vehicle key ring and put the other away safely, or store with the spare vehicle key.

Write the key number (which is stamped on the key) in the box provided. Replacement keys are available from registered locksmiths by quoting this key number.

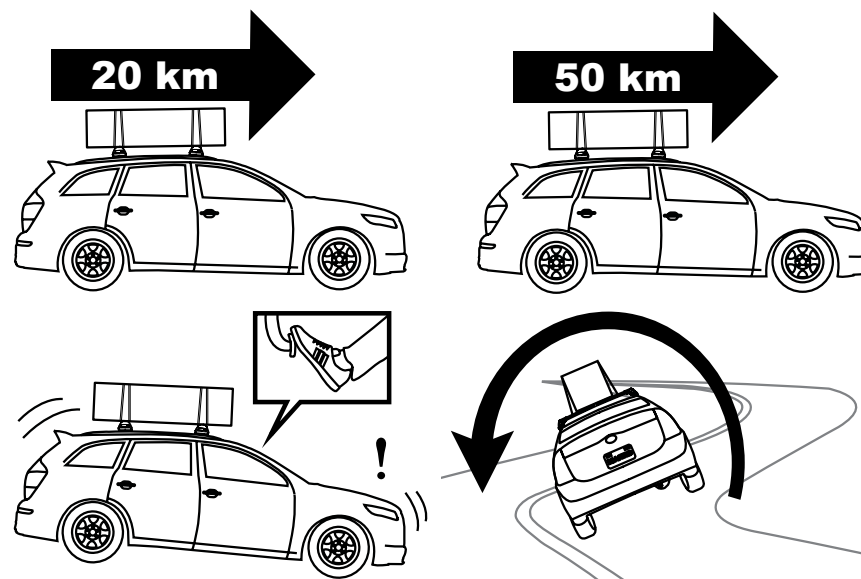
Key Number:

 Please place Prorack Heavy Duty Track and Crossbar System Installation Instructions in vehicle glove box once complete.

31 CAUTION WHEN ENTERING HEIGHT RESTRICTED ZONES



32 REGULARLY STOP AND CHECK ITEMS ARE SECURE



RECOMMENDATIONS

- Check accessory is securely attached whenever you refit it to the vehicle. If the unit feels loose, refer to the fitting instructions and readjust.
- Regularly check all fasteners. This includes all attached accessories and roof racks.
- Ensure that all loads are distributed evenly across the roof racks and are fastened securely.
- Fit the accessory on passenger side of the vehicle when it is practical to do so.

CAUTION

- A loaded roof rack system can alter the performance of your vehicle. Be especially aware of the effects of side winds, changing of direction, and braking performance. Avoid rapid acceleration and deceleration. Drive Carefully.
- Make sure all loads are securely fastened with non-elastic straps. Check regularly during longer journeys.
- Never drive into a car wash with the roof rack system fitted.
- Do not exceed the vehicle manufacturer's roof load rating. Total load equals weight of roof racks + accessories + cargo/equipment.

WARRANTY & DISCLAIMER

Yakima Australia Pty Ltd ABN 58 154 440 221

17 Hinkler Court, Brendale QLD 4500

Tel: 0800 4776 722 (NZ) or 1800 143 548 (AU)

Email: warranty@yakima.co.nz or warranty@yakima.com.au

1. Where the product is supplied to the customer for other than business purposes within the meaning of section 43 of the New Zealand Consumer Guarantees Act 1993, the provisions of that Act shall apply. It is important that anyone who fits or uses this product does so in accordance with the manufacturer's instructions.
2. Where the product is supplied to the customer for business purposes within the meaning of section 43 of the New Zealand Consumer Guarantees Act 1993, the provisions of that Act and all other representations or terms (including any conditions or warranty expressed or implied by law, statute or otherwise) not expressly included in this leaflet are hereby expressly excluded shall have no effect and the clauses (a) and (b) shall apply.
3. Subject to the **Additional Information (Australia)**, where the product is supplied and purchased in Australia, the following shall apply:
 - (a). THE SUPPLIER WARRANTS the product to be free from defects in materials and/or workmanship for a period of three (3) years from the date of original purchase (the warranty period). Proof of purchase is required. Subject to the limitations and exclusions set out below, the Supplier hereby agrees to remedy any defects in materials or workmanship becoming apparent during the warranty period, by replacing or repairing any defective product or component (at its option) free of charge to the purchaser in respect of replacement parts or labour. Any defective product or component must be notified and where practicable, returned at the purchaser's expense to the Supplier immediately upon discovery of the alleged defect and no attempt made on the part of the purchaser to repair it.
 - (b). EXCEPTIONS, EXCLUSIONS AND LIMITATIONS TO WARRANTY. The product and/or its components must be fitted/assembled and loaded in accordance with the Supplier's written instructions and any requirements set out in the car's owner manual. This warranty does not cover defects, loss or damage resulting from circumstances beyond the Supplier's control including, but not limited to misuse, overloading, or failure to assemble and/or fit the product or component in accordance with the Supplier's written instructions. Nor does the warranty cover defects, loss or damage resulting from accidents, unlawful use of the vehicle or defects/inconsistencies in the vehicle on which the product or component is fitted. Liability for direct, indirect, special, punitive, incidental, exemplary, contractual or consequential damage or loss arising from defects, faulty materials or design omissions or negligence or workmanship in the product or its components is hereby expressly excluded subject to the following. Certain Commonwealth legislation, including the Competition and Consumer Act 2010 (Cth), and other State and Territorial legislation confers upon purchasers rights which cannot be excluded from or be restricted or modified by contract. Any conditions, guarantees and/or warranties implied by law and incapable of exclusion are deemed to be expressly incorporated herein. Nothing herein contained is intended nor shall be permitted to be inconsistent with any such conditions, guarantees and/or warranties. To the extent permitted by legislation all conditions, guarantees and/or warranties such as implied warranties which are capable of exclusion are hereby expressly excluded and negated.

ADDITIONAL INFORMATION (AUSTRALIA)

This information should be read in conjunction with clauses (a) and (b).

IMPORTANT LEGAL NOTICE

Our goods come with guarantees that cannot be excluded under the Australian Consumer Law. You are entitled to a replacement or refund for a major failure and for compensation for any other reasonably foreseeable loss or damage. You are also entitled to have the goods repaired or replaced if the goods fail to be of acceptable quality and the failure does not amount to a major failure.

This warranty does not change or take away your rights under the Australian Consumer Law. Your right to claim under this policy for the benefits covered is in addition to other rights and remedies you have under the law in relation to the product.

Where you become aware of defects in materials or of workmanship, and wish to make a claim under this warranty you must do the following for the warranty to be honoured by your Prorack dealer or Yakima Australia Pty Ltd ABN 58 154 440 221 (Yakima):

1. Make a claim as soon as practicable by contacting the Prorack dealer from whom you purchased the product, who will give you instructions on how to proceed.
2. If you are unable to contact the Prorack dealer, or the dealer is not able to remedy the defect, you should contact Yakima as soon as practicable at:

Call: 0800 4776 722 (NZ) or 1800 143 548 (AU)

Email: warranty@yakima.co.nz or warranty@yakima.com.au

Alternately, you can write to Yakima at 17 Hinkler Court, Brendale QLD Australia 4500 in order to make a claim under your warranty.

3. Upon contacting Yakima directly, you should explain as fully as possible the defect. A Yakima representative will provide you with appropriate instructions for returning the product together with a copy of the original purchase invoice or receipt to Yakima.
4. The costs and expenses associated with making a claim under your warranty including the costs of complying with those instructions and of returning the product to Yakima or the Prorack dealer will be borne by you.

Following receipt of the product and purchase invoice or receipt, Yakima or the Prorack dealer must inspect the product to determine whether the claim falls within the warranty. If:

- 4.1 the claim falls within the warranty, Yakima will remedy any defects in materials or workmanship becoming apparent during the warranty period, by replacing or repairing any defective product or component (at its option) free of charge to the purchaser in respect of replacement parts or labour.
- 4.2 the claim does not fall within the warranty, Yakima will return the product to you at your expense.