

MAXIMUM PRODUCT LOAD RATING: 100 kg 

IMPORTANT:

- **LOAD = WEIGHT OF PLATFORM or BARS + MOUNTING SYSTEM + ACCESSORIES + CARGO**
- **PLEASE REFER TO VEHICLE MANUFACTURER SPECIFICATIONS FOR MAX ROOF LOAD CAPACITY OF VEHICLE. THE LOWEST LOAD RATING APPLIES.**
- **OFFROAD RATING: SCAN QR CODE FOR LOCKNLOAD LOAD RATING GUIDE. REDUCTIONS MAY APPLY.**



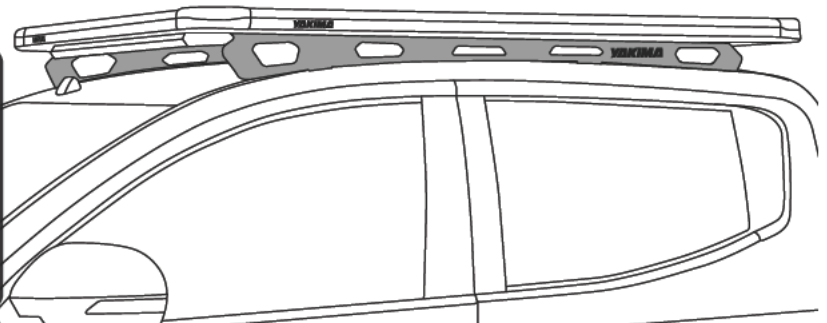
FIRST TIME INSTALLATION

- Please read instructions carefully before installation.
- Check the contents of kit. Each spine has the last four digits of the kit's part number lasered in. Contact your YAKIMA dealer if any parts appear missing, incorrect or damaged.
- Clean your roof thoroughly prior to fitting the LockNLoad RuggedLine.
- Place these instructions in the vehicle's glove box after installation is complete.



TOOLS REQUIRED:

- Measuring Tape
- Cutters/Scissors
- 10 mm Socket Wrench
- 13 mm Spanner
- Flat Head Screwdriver (with tape)

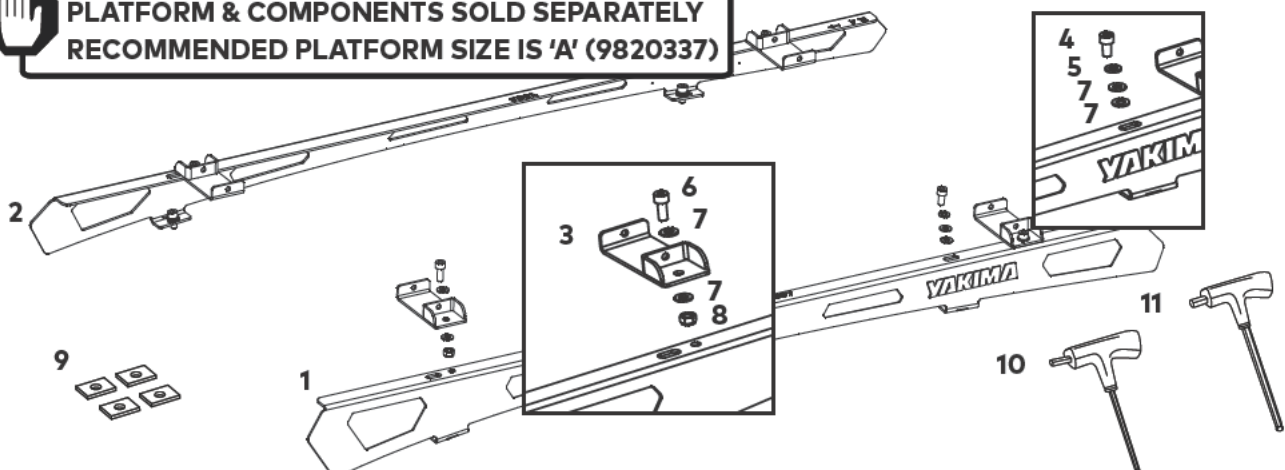


KIT CONTENTS

ITEM	COMPONENT	QTY	ITEM	COMPONENT	QTY
1.	Triton Left Spine 1007	x1	7.	M8 Washer	x16
2.	Triton Right Spine 1007	x1	8.	M8 Nyloc Nut	x4
3.	Pivot Bracket Assembly	x4	9.	Foam Adhesive	x4
4.	M8 Socket Head Capscrew 16 mm	x4	10.	4 mm T Handle Ball End Allen Key	x1
5.	M8 Spring Washer	x4	11.	6 mm T Handle Ball End Allen Key	x1
6.	M8 Socket Head Capscrew 20 mm	x4			



**PLATFORM & COMPONENTS SOLD SEPARATELY
RECOMMENDED PLATFORM SIZE IS 'A' (9820337)**

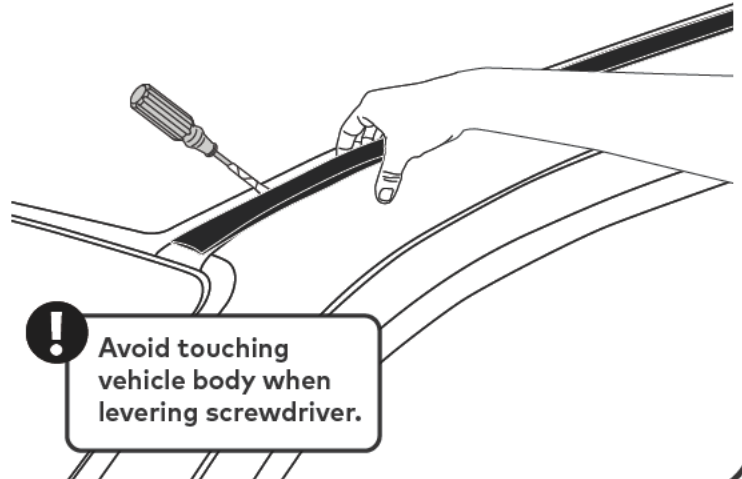


REMOVING AND RE-INSTALLING ROOF TRIM

1 REMOVE RUBBER ROOF TRIM

Gently lever the rubber roof channel trim with a Flat Head Screwdriver (wrap tape around end of Screwdriver to prevent paint scratching). Then using fingertips pull upwards and unhook trim from metal clips in roof channel.

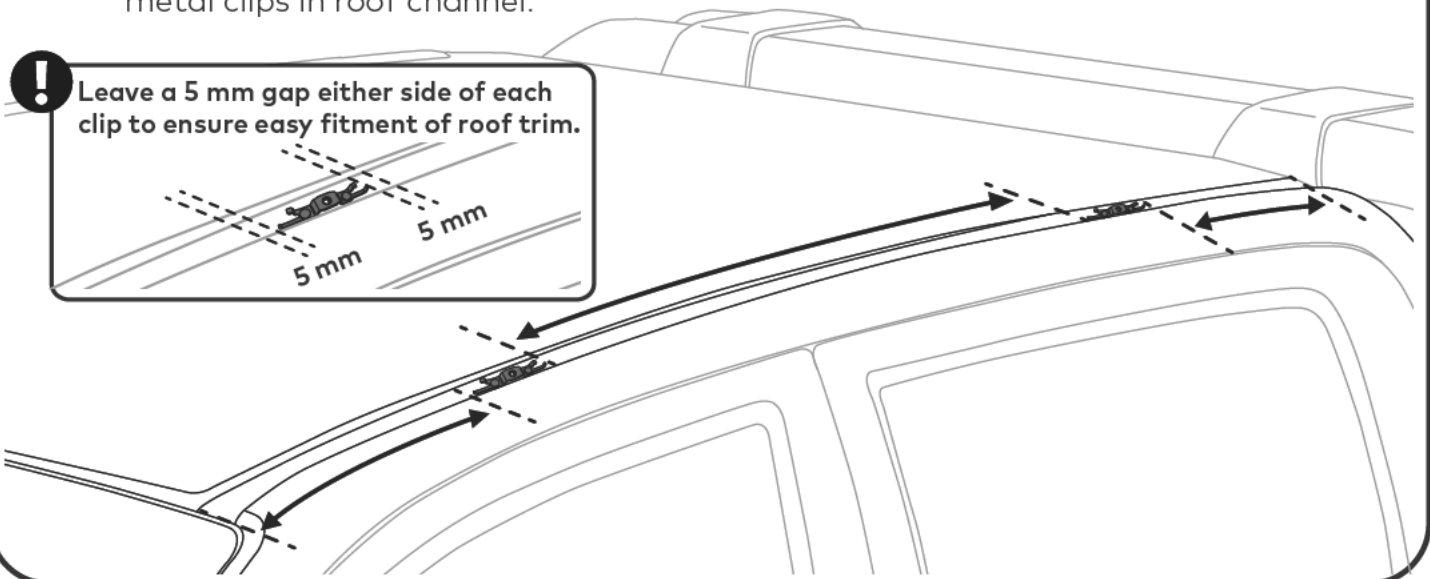
Store channel trim in a safe location for use in Step 3.



2 MEASURE ROOF CHANNEL

Using a Measuring Tape, measure and record the distance between each of the metal clips in roof channel.

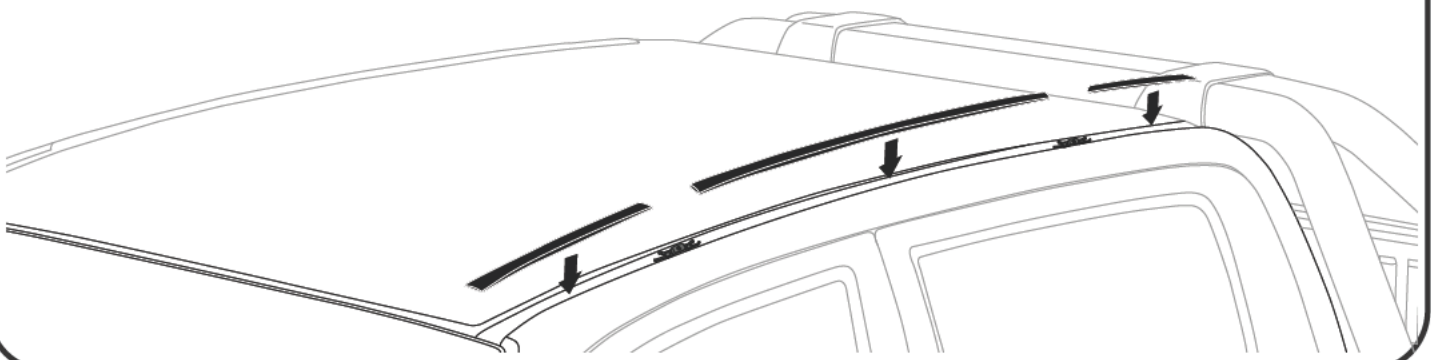
! Leave a 5 mm gap either side of each clip to ensure easy fitment of roof trim.



3 CUT AND REFIT ROOF TRIM

Using the three recorded measurements and a pair of Cutters/Scissors, cut to lengths the roof trim removed in Step 1.

Re-fit trim pieces around metal clips in roof channel.

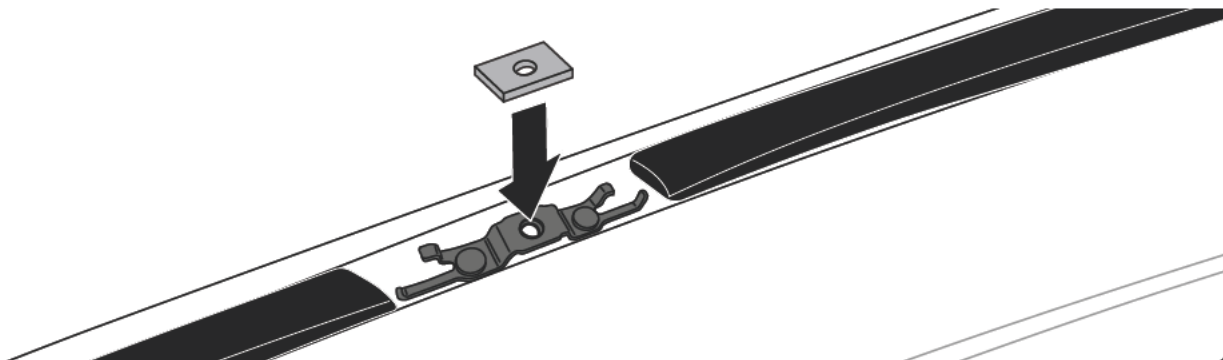


MOUNTING RUGGEDLINE AND LockNLoad PLATFORM

1

AFFIX FOAM ADHESIVE

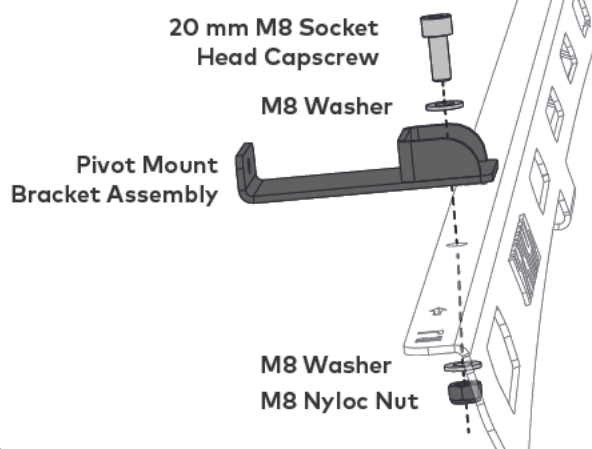
Carefully apply Foam Adhesive over all metal clips in roof channel, lining up holes in foam with the holes in clips. Apply with adhesive side to vehicle.



2

ASSEMBLE PIVOT BRACKET TO RUGGEDLINE

Assemble Pivot Bracket and M8 hardware as pictured. Complete this for the 2 mounting holes on top of the RuggedLine Spine.

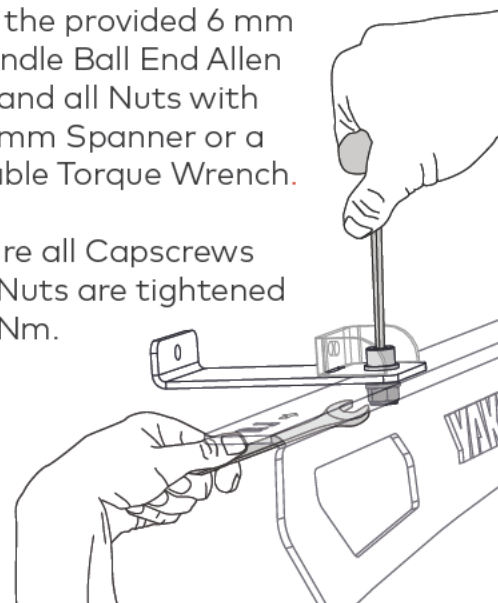


3

SECURE PIVOT BRACKET ASSEMBLIES

Tighten all Capscrews with the provided 6 mm T Handle Ball End Allen Key, and all Nuts with a 13 mm Spanner or a suitable Torque Wrench.

Ensure all Capscrews and Nuts are tightened to 7 Nm.

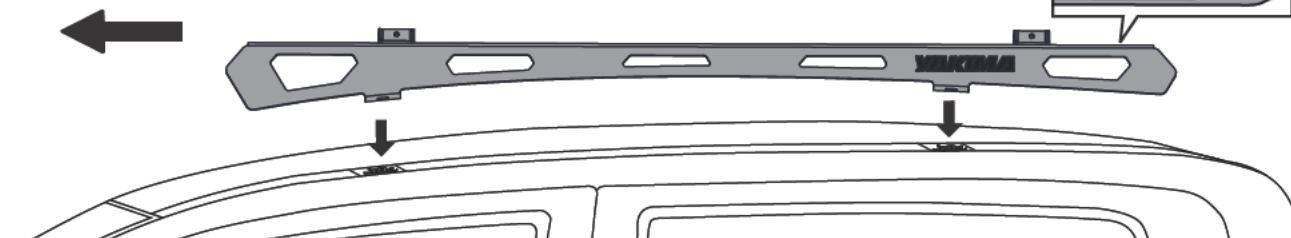


4

POSITION RUGGEDLINE ON VEHICLE ROOF

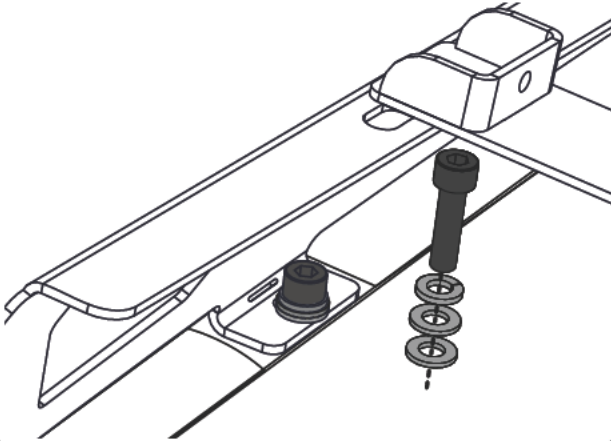
Referring to the left-right orientation on top of each Spine, carefully place one side of the RuggedLine onto vehicle roof as shown. Line up the mounting holes on the bottom tabs to the clips on the roof. The tabs are to face in towards the vehicle.

Front of vehicle



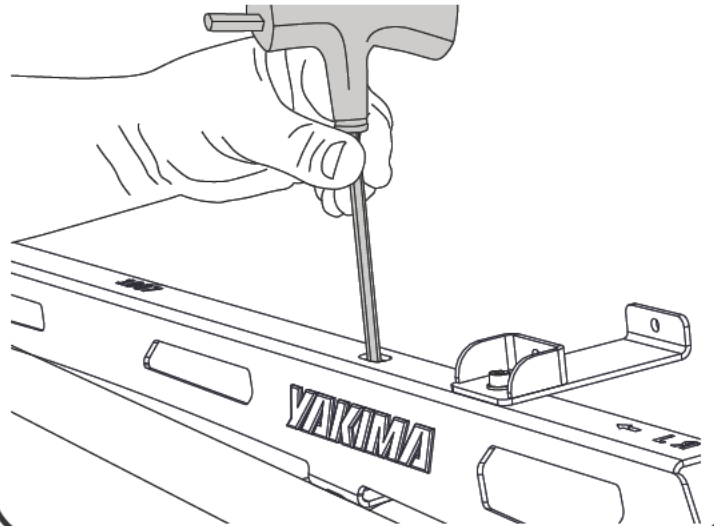
5 ASSEMBLE RUGGEDLINE HARDWARE

Assemble the 16 mm M8 Socket Head Capscrew, M8 Spring Washer and Washers as shown and place into mounting holes on bottom tabs of RuggedLine. Ensure hardware and holes align with the holes in clips.



6 TIGHTEN RUGGEDLINE HARDWARE

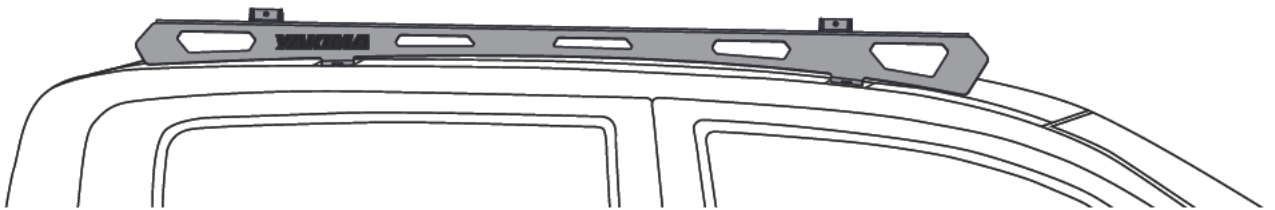
Using the 6 mm T Handle Ball End Allen Key, and avoiding damage to the powder coat, start to carefully secure the RuggedLine by tightening the M8 Socket Head Capscrews to 7 Nm into the mounting holes in roof.



7 REPEAT STEPS TO OPPOSITE SIDE

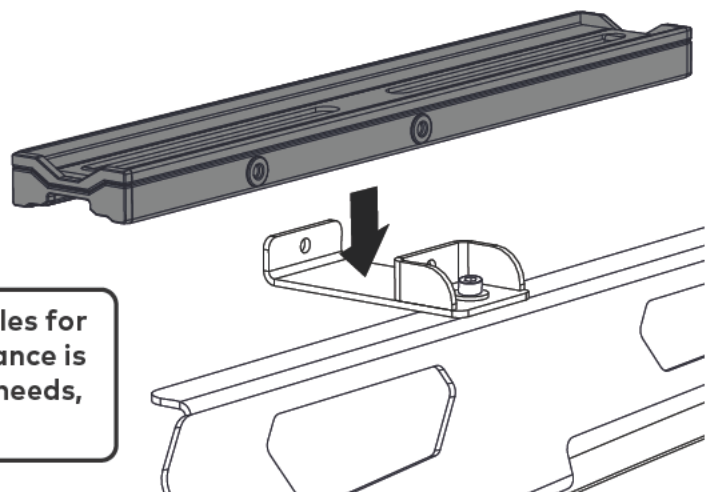
Repeat steps 1-3 on page 2 and steps 1-6 on pages 3 & 4 for securing opposite side of RuggedLine Spine.

Ensure both Spines are securely positioned on vehicle roof. Check each screw is secure before proceeding to install LockNLoad Platform to RuggedLine Spines.



8 INSTALL PLATFORM PIVOT MOUNTS

From the LockNLoad Platform kit (sold separately), position Pivot Mounts into each Pivot Bracket Assembly, lining up the rivnut holes on the Mounts with the holes on the brackets.



! Where possible, always use the centre holes for attaching to Pivot Bracket. If extra clearance is needed due to Platform-to-roof fitment needs, the offset holes can be used.

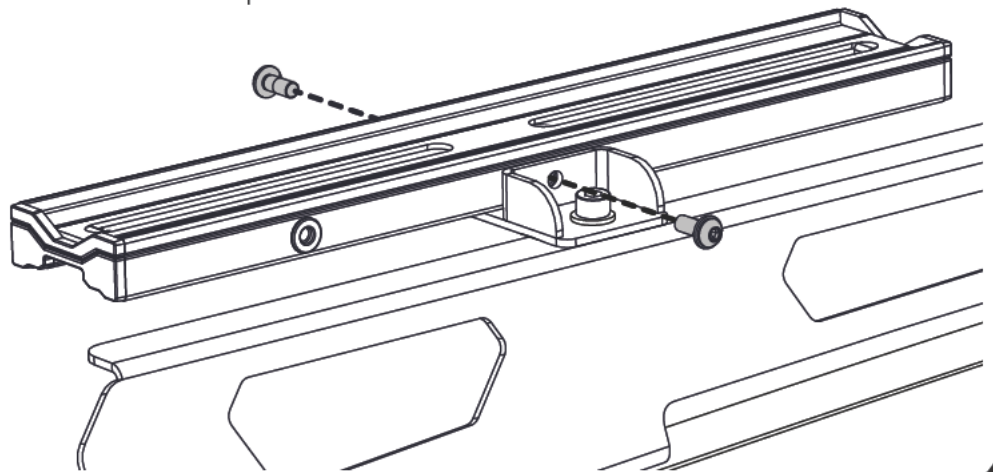
9

SECURE PLATFORM PIVOT MOUNTS

Secure all Platform Pivot Mounts with 2x 16 mm M6 Capscrews with Washer from LockNLoad Platform kit as shown.

Tighten all Capscrews to 4 Nm with the provided 4 mm Ball End Allen Key or a suitable Torque Wrench.

NOTE - The Pivot Mount assembly will still have movement after securing which is intended.



NOW SWITCH TO YOUR LockNLoad PLATFORM INSTRUCTIONS AND CONTINUE FROM THE 'VEHICLE MOUNTING INSTRUCTIONS' PAGE.

YAKIMA

www.yakima.com.au
www.yakima.co.nz
www.yakima.com
www.yakima.eu

YAKIMA AUSTRALIA PTY LTD

17 Hinkler Court
Brendale, QLD 4500
Australia
1800 143 548

YAKIMA PRODUCTS, INC.

4101 Kruse Way
Lake Oswego, OR
97035-2541
USA
888 925 4621

ALL CONTENT SUBJECT TO YAKIMA AUSTRALIA PTY LTD COPYRIGHT © 2021