

MAX VEHICLE ROOF LOAD RATING: 100KG (2 Leg Pairs) 150KG (3 Leg Pairs)
TOTAL LOAD EQUALS WEIGHT OF ROOF RACKS + ACCESSORIES + CARGO

FIRST TIME INSTALLATION

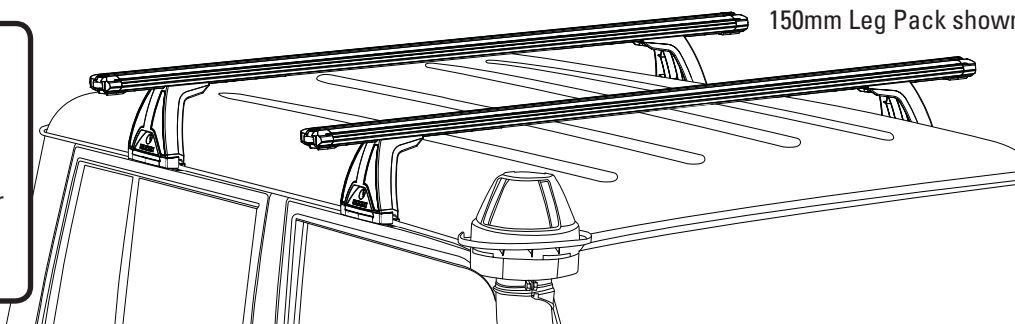
- Please read instructions carefully before installation.
- Check the contents of kit. Contact your YAKIMA dealer if any parts appear missing or damaged.
- Clean your roof thoroughly prior to fitting the LOCKN'LOAD Gutter Mount Heavy Duty Roof Rack System.
- Place these instructions in the vehicle's glove box after installation is complete.

**NOTE - 2x Gutter Mount
150mm Leg Pack shown**



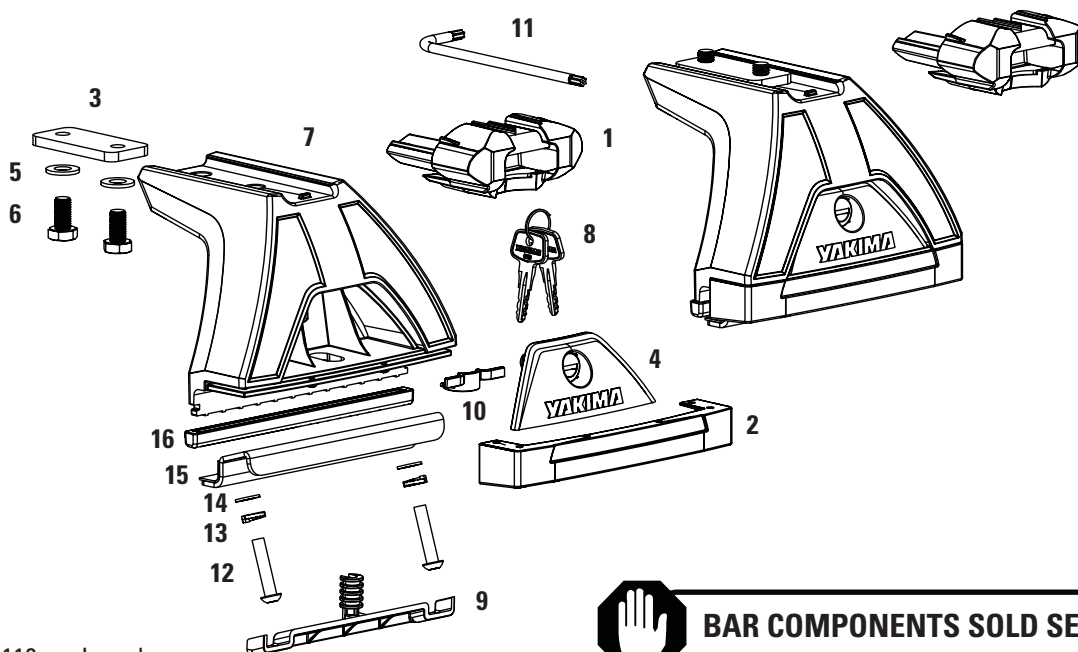
TOOLS REQUIRED:

- Tape Measure
- Scissors
- #2 Phillips Head Screwdriver
- Rubber Mallet (Optional)
- 13mm Socket Wrench



KIT CONTENTS

ITEM	COMPONENT	QTY	ITEM	COMPONENT	QTY
1.	End Cap	x2	9.	Locking Clip Base	x2
2.	Rubber Skirt	x2	10.	Locking Clip	x2
3.	Nut Plate	x2	11.	Tamper Proof Torx Key	x1
4.	Leg Cover	x2	12.	Tamper Proof Torx Button Head Screw	x4
5.	Washer M8	x4	13.	Spring Washer M6	x4
6.	Hex Bolt M8	x4	14.	Washer M6	x4
7.	Gutter Mount Leg 110/150/210mm	x2	15.	Mount Plate	x2
8.	Yakima Key Set	x1	16.	Rubber Foot Grip	x2



NOTE - 110mm Leg shown



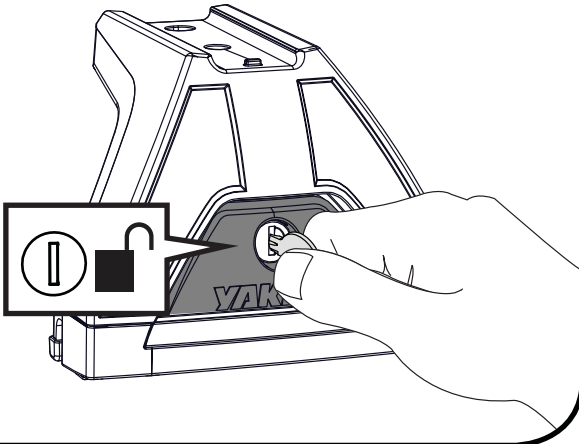
BAR COMPONENTS SOLD SEPARATELY

INSTALLATION TO LOCKN'LOAD CROSSBARS - SEE PAGES 2 - 6

LOCKN'LOAD PLATFORM INSTALLATION TO GUTTER MOUNT LEGS - SEE PAGES 6 - 9

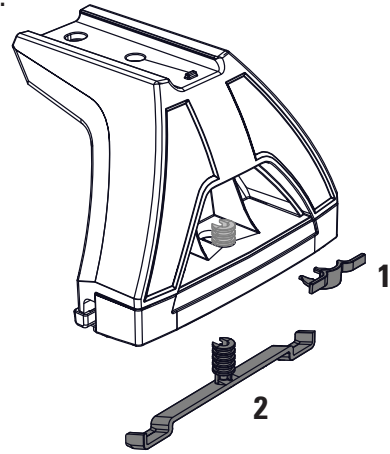
1 REMOVE LEG COVERS

Using the Keys remove all Leg Covers.



2 REMOVE FOOT BASE

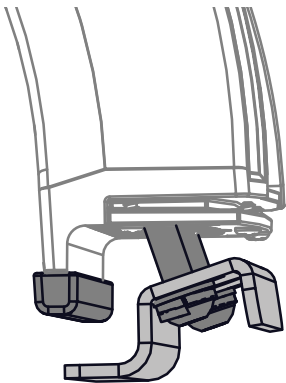
Remove Locking Clip to release Locking Clip Base underneath Rubber Skirt. Keep parts aside.



3 LOOSEN GUTTER MOUNT PLATE

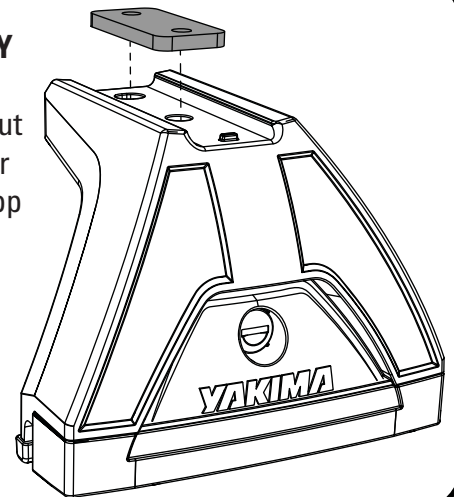
To loosen Gutter Mount Plate, partially unscrew bolt and washer assemblies using the Tamper Proof Torx Key.

Ensure there is a sufficient gap between the Gutter Mount Plate and Foot Grip to insert between vehicle gutter.

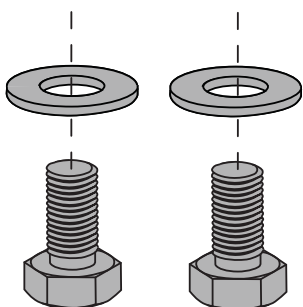


4 LEG ASSEMBLY

Position Nut Plates over holes on top of Legs.

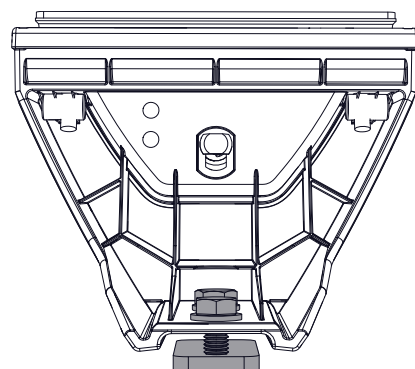


5 Assemble 1 x M8 Washer onto each M8 Hex Bolt in the order shown.



Loosely finger tighten Nut Plates to Legs as shown using the screw assemblies from the previous step.

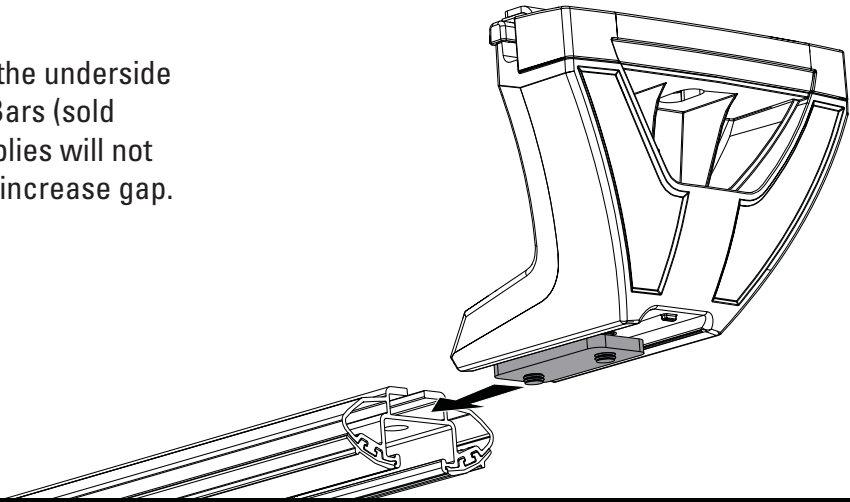
For the next step, ensure there is a sufficient gap between the Nut Plates and Legs.



7

INSERT LEGS

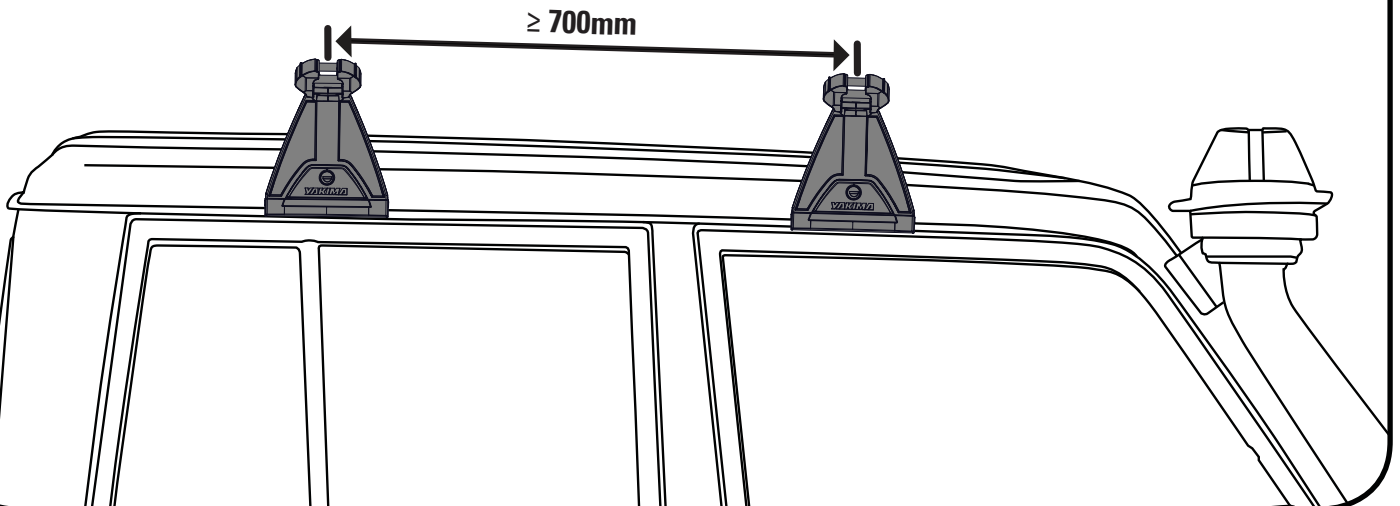
Slide Leg assemblies into the underside channel of LOCKN'LOAD Bars (sold separately). If Leg assemblies will not slide in, loosen Screws to increase gap.



8

BAR LOCATION

IMPORTANT: Before beginning Bar installation, identify where along the gutter you want the front and rear Bars fitted. We recommend a minimum of 700mm between Bars.

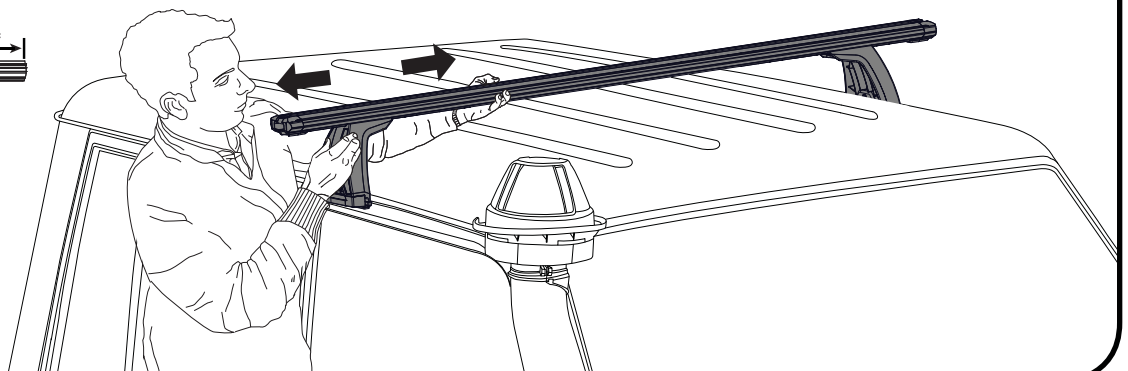


9

BAR PLACEMENT

Carefully place a Bar assembly over vehicle. **Take care not to damage vehicle.** Slide Legs along Bar until both legs are positioned inside the vehicle gutter. Use a Tape Measure to ensure even Bar overhang on each side, re-adjust if required. Finger tighten one Screw on each Leg to secure Leg position along Bar.

Repeat process for remaining Bar assembly then carefully remove Bars from vehicle.

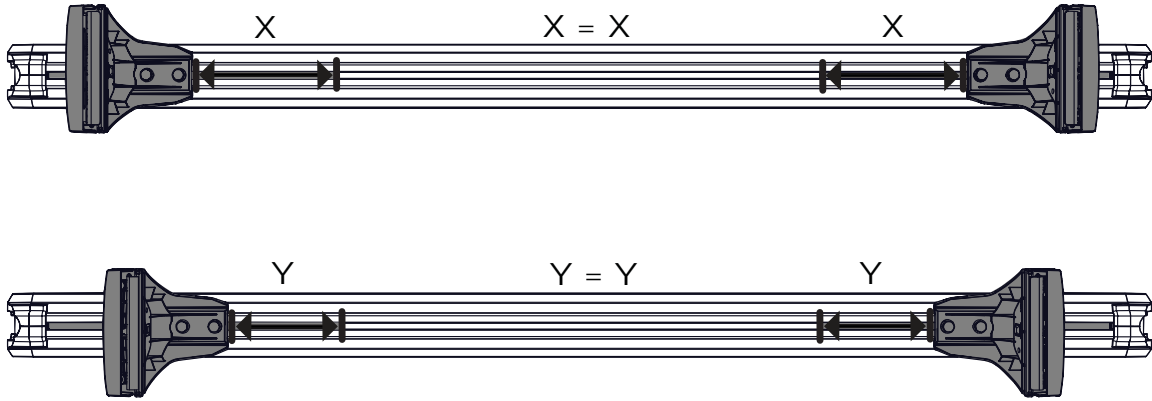


10

CHECK BAR SLOT MEASUREMENTS

Using a Tape Measure, record Leg to underside slot distance of each Bar in the table (right). Ensure measurement is taken from the centre of the Legs as shown. The ends of each bar should be the same measurement respectively, if not, repeat Step 9.

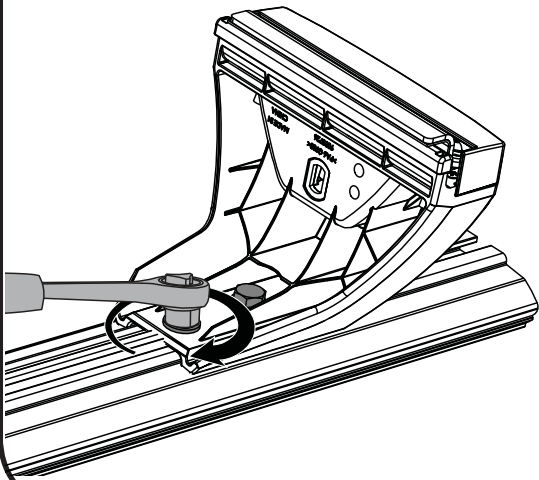
BAR SLOT MEASUREMENTS	
Front Bar (X)	Rear Bar (Y)
_____mm x2	_____mm x2



11

SECURE LEGS TO BARS

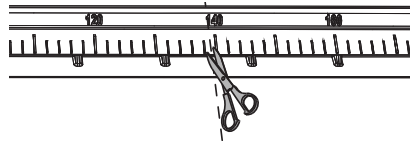
Tighten all M8 Hex Bolts to 7Nm using a 13mm Socket Wrench.



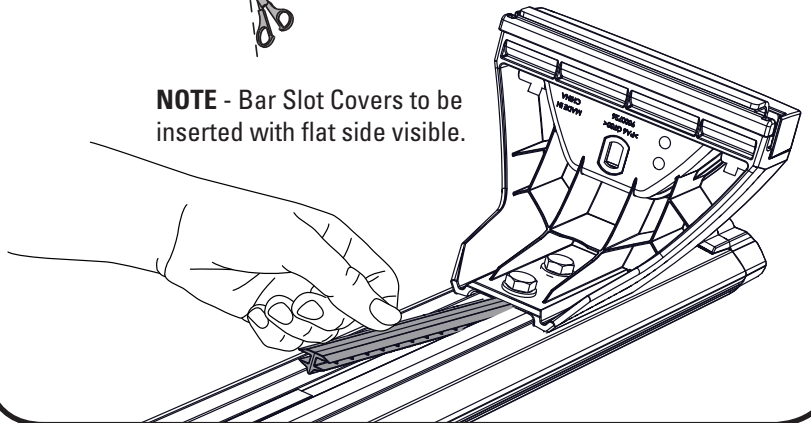
12

BAR SLOT COVERS

Cut Bar Slot Covers as per measurements recorded in the table on Step 10 and push into underside channel of front and rear Bar ends as shown.



NOTE - Bar Slot Covers to be inserted with flat side visible.

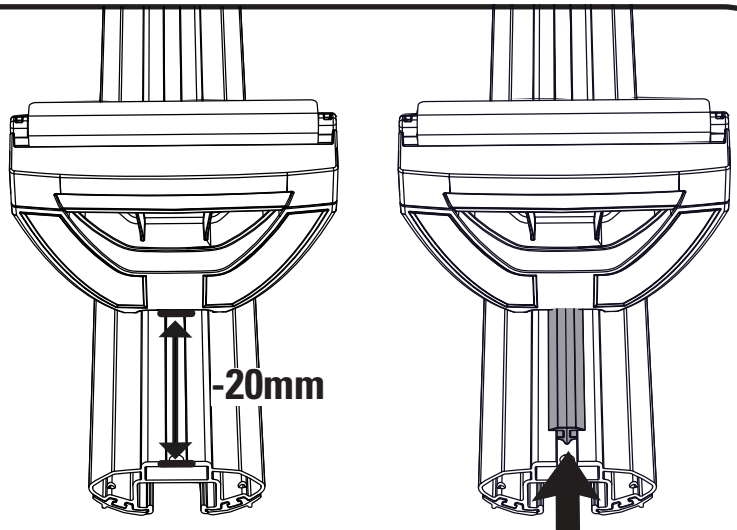


13

BAR SLOT COVERS (OUTSIDE LEG)

Measure the Bar channel outside of the Legs and subtract 20mm from this measurement.

Using the remaining pieces of Slot Cover from Step 12, cut to this length and insert into the underside channel of each Bar end as shown.

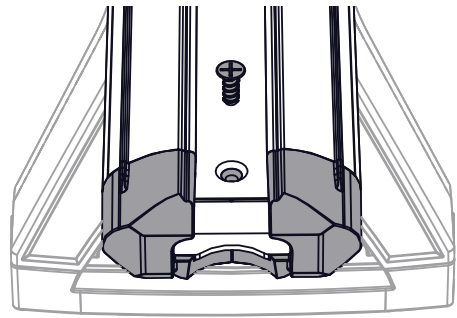
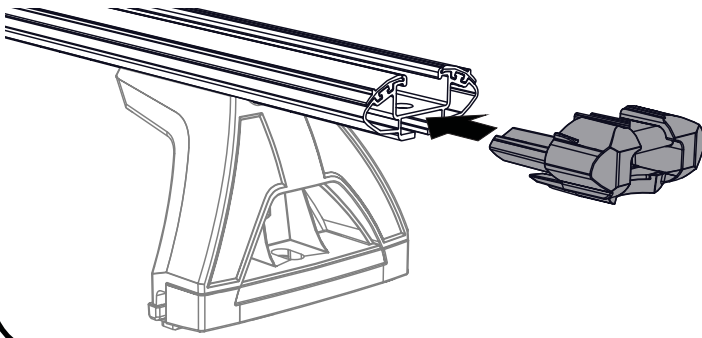


14

SECURE END CAPS TO BARS

Insert the End Caps as shown. A Rubber Mallet can be used to assist installation.

Secure using Plastite Screw. Tighten using a #2 Phillips Head Screwdriver.

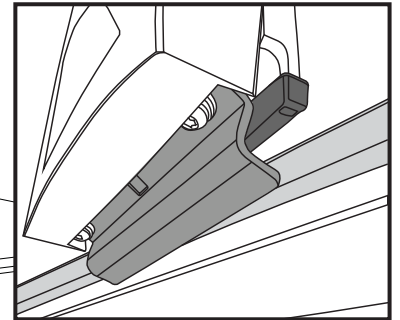
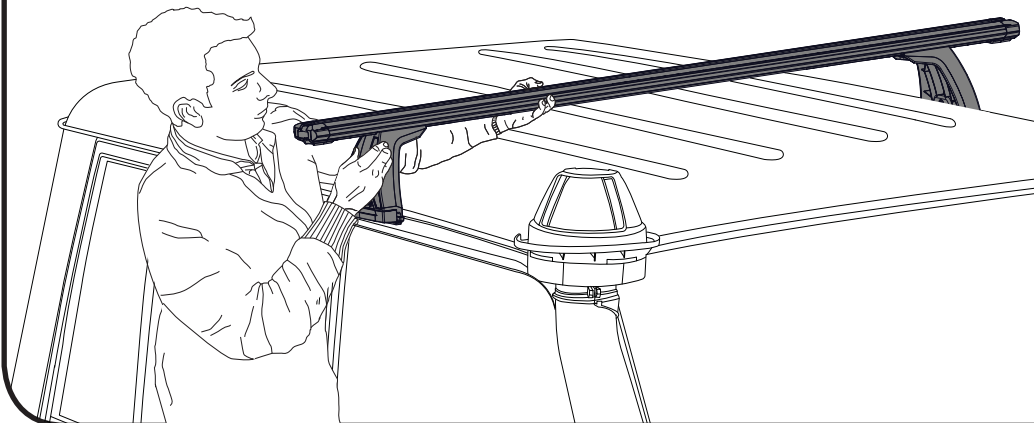


15

BAR FITMENT

Carefully place Bar assembly over vehicle locating the Rubber Foot Grip into the vehicle gutter and the Mount Plate hooking under the gutter. **Take care not to damage vehicle.**

Tighten bolt and washer assemblies to 4Nm using the Tamper Proof Torx Key.



16

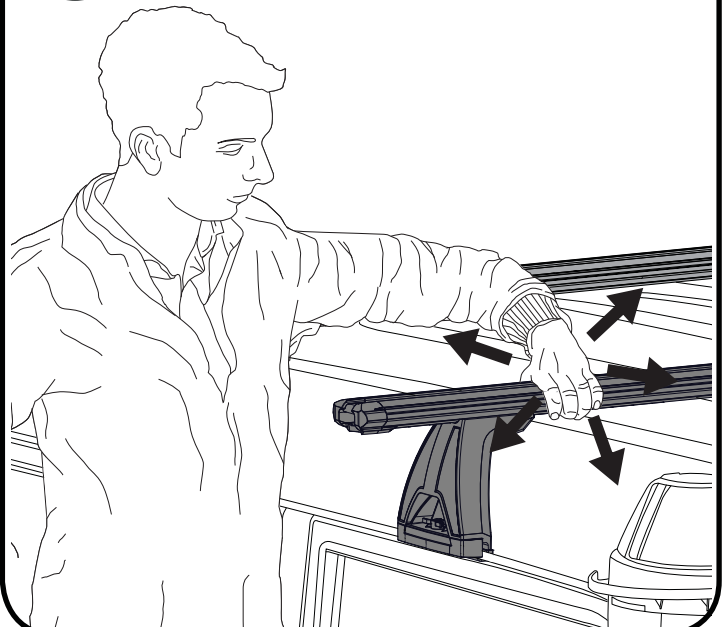
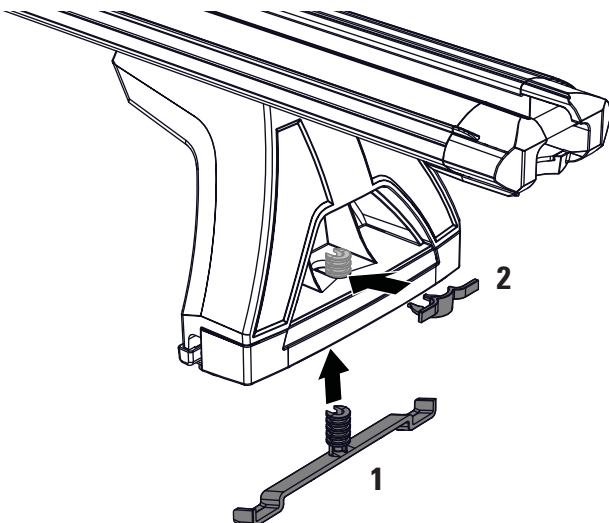
RE-SECURE FOOT BASE

Re-insert Locking Clip Base underneath Rubber Skirt and secure with Locking Clip.

17

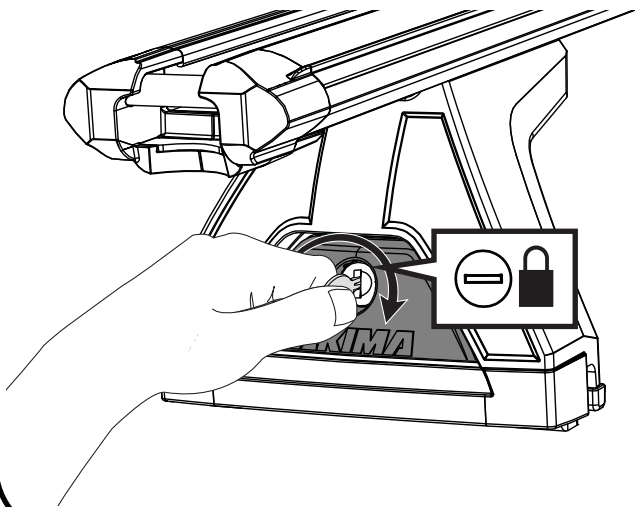
CHECK BAR LEGS ARE SECURE

Check all Bar Legs are secure.



18**FIT LEG COVERS**

Using the Keys and Covers, fit and lock all Leg Covers.

**19****BAR KEYS**

Place one key on the vehicle key ring and put the other away safely, or store with the spare vehicle key.

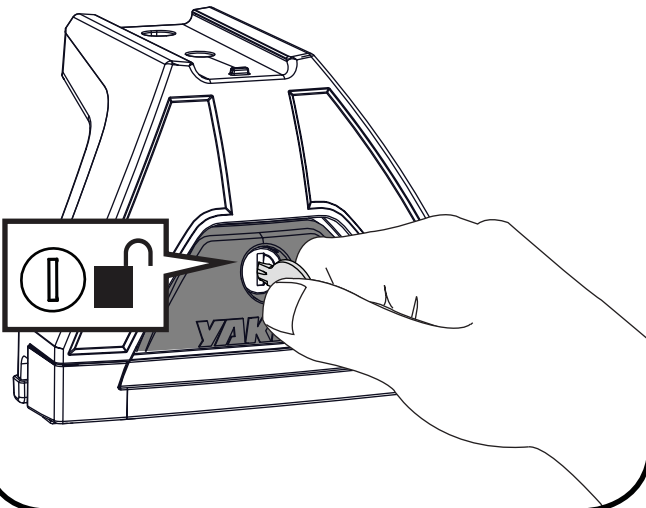
Write the key number (which is stamped on the key) in the box provided. Replacement keys are available from Yakima stockists, visit www.yakima.com.au or www.yakima.co.nz to find your nearest store or contact us directly on 1800 143 548 (AU) or 0800 4776 722 (NZ).

Key Number:

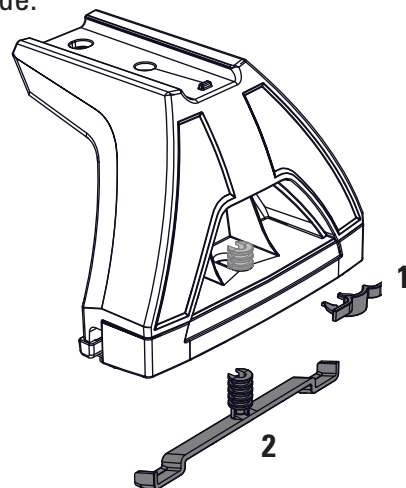
LOCKN'LOAD PLATFORM INSTALLATION TO GUTTER MOUNT LEGS

1**REMOVE LEG COVERS**

Using the Keys remove all Leg Covers.

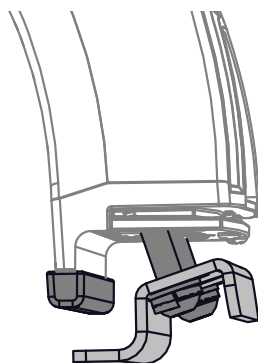
**2****REMOVE FOOT BASE**

Remove Locking Clip to release Locking Clip Base underneath Rubber Skirt. Keep parts aside.

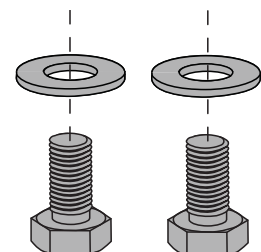
**3****LOOSEN GUTTER MOUNT PLATE**

To loosen Gutter Mount Plate, partially unscrew bolt and washer assemblies using the Tamper Proof Torx Key.

Ensure there is a sufficient gap between the Gutter Mount Plate and Foot Grip to insert between vehicle gutter.

**4****ASSEMBLE SCREWS**

Assemble 1 x M8 Washer onto each M8 Hex Bolt in the order shown.

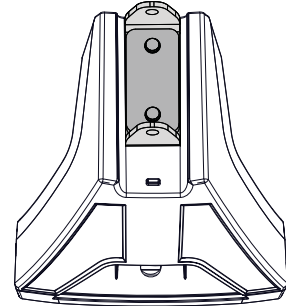
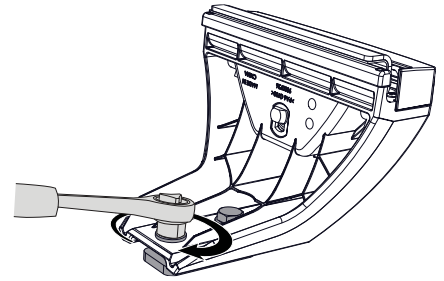
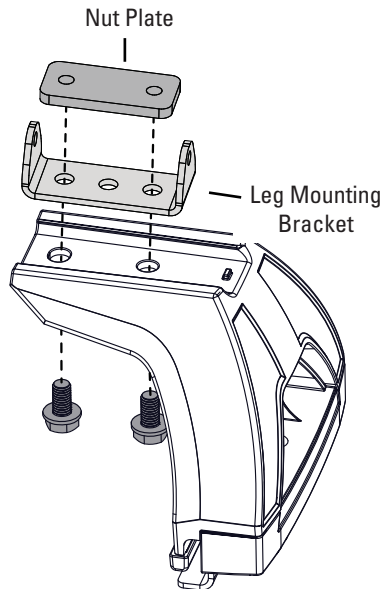


5

ASSEMBLE LEGS

Assemble each Leg as shown using 1 x Leg Mounting Bracket (from **Platform Kit**), 1 x Nut Plate and the two screw assemblies from the previous step.

Tighten all M8 Hex Bolts to 7Nm using a 13mm Socket Wrench or Spanner.



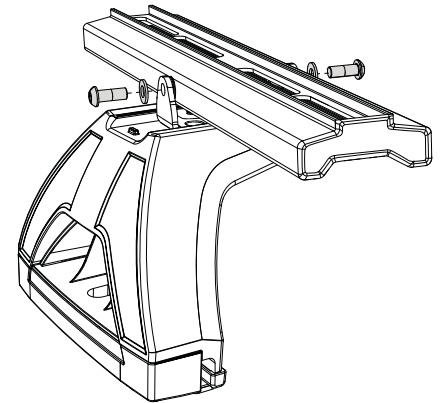
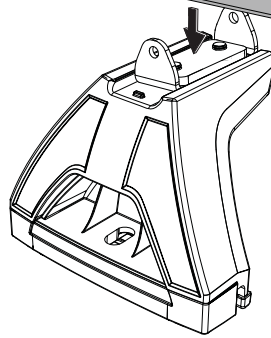
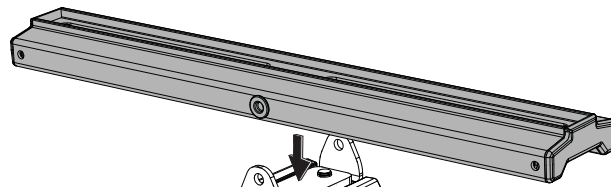
6

INSTALL MOUNTING BLOCKS

Place a Mounting Block (from **Platform Kit**) on top of each Leg assembly, lining up the rivnut holes on Mounting Block with holes on tabs of Leg Mounting Bracket.

Secure with 2x M6 Capscrew 16mm with Washer as shown (from **Platform Kit**).

Tighten all screws to 4Nm with a 4mm Ball End Allen Key or a suitable Torque Wrench.



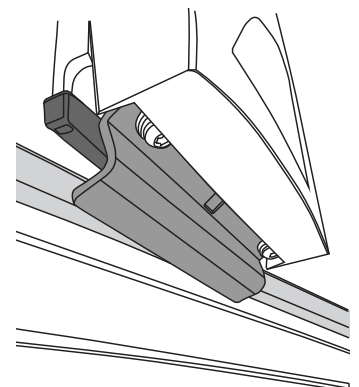
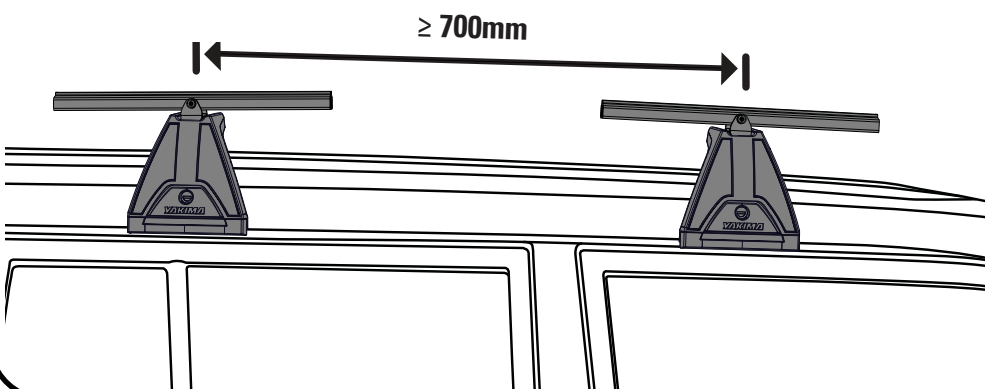
NOTE - The Mounting Block assembly will still have movement after securing which is intended.

7

LEG LOCATION

Place Legs into intended position in vehicle gutter, locating the Rubber Foot Grip into the vehicle gutter and the Mount Plate hooking under the gutter. **Take care not to damage vehicle.**

We recommend spacing between 700mm - 1000mm apart.



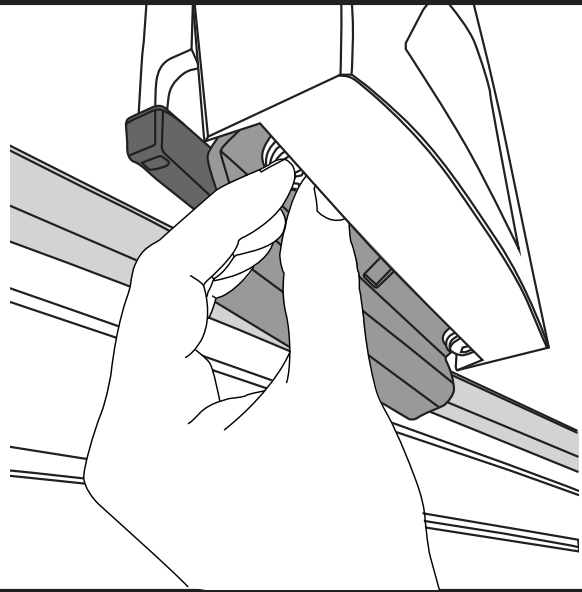
8**SECURE LEGS**

Finger tighten bolt and washer assemblies to hold Legs in place.

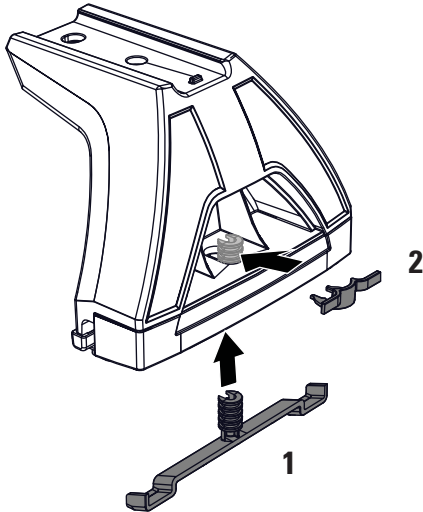
Ensure Legs are square across the vehicle.

When all are aligned, use supplied Tamper Proof Torx Key to tighten into place to 4Nm.

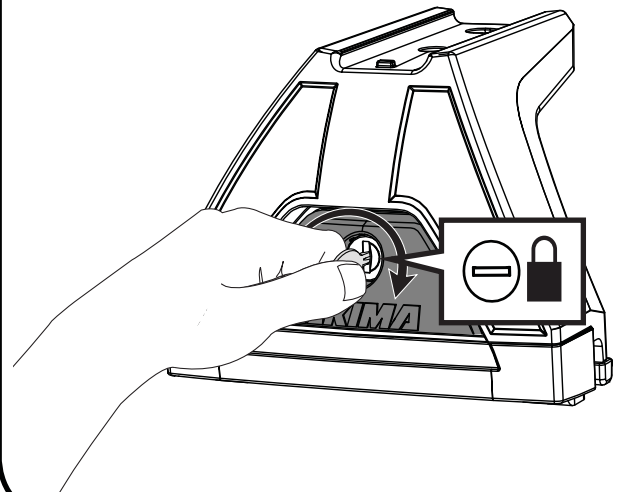
Take care not to damage vehicle.

**9****RE-SECURE FOOT BASE**

Re-insert Locking Clip Base underneath Rubber Skirt and secure with Locking Clip.

**10****FIT LEG COVERS**

Using the Keys and Covers, fit and lock all Leg Covers.

**11****LEG KEYS**

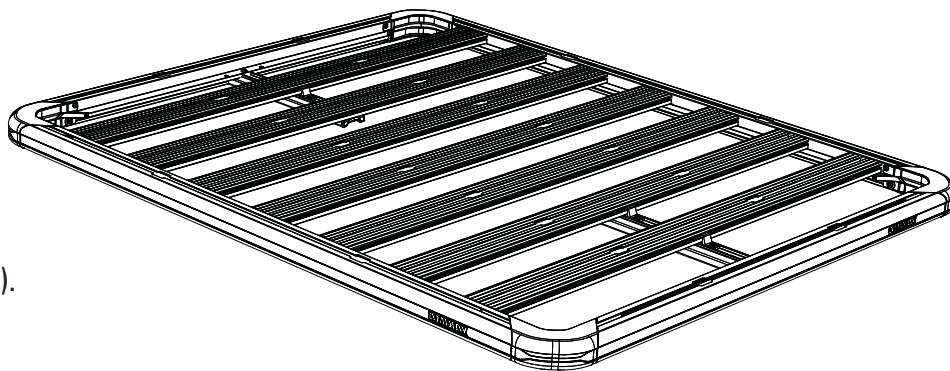
Place one key on the vehicle key ring and put the other away safely, or store with the spare vehicle key.

Write the key number (which is stamped on the key) in the box provided. Replacement keys are available from Yakima stockists, visit www.yakima.com.au or www.yakima.co.nz to find your nearest store or contact us directly on 1800 143 548 (AU) or 0800 4776 722 (NZ).

Key Number:

12 ASSEMBLE LOCKN'LOAD PLATFORM

Assemble Platform according to the LOCKN'LOAD Platform Assembly instructions Steps 1 - 9 (Pages 3 - 6).



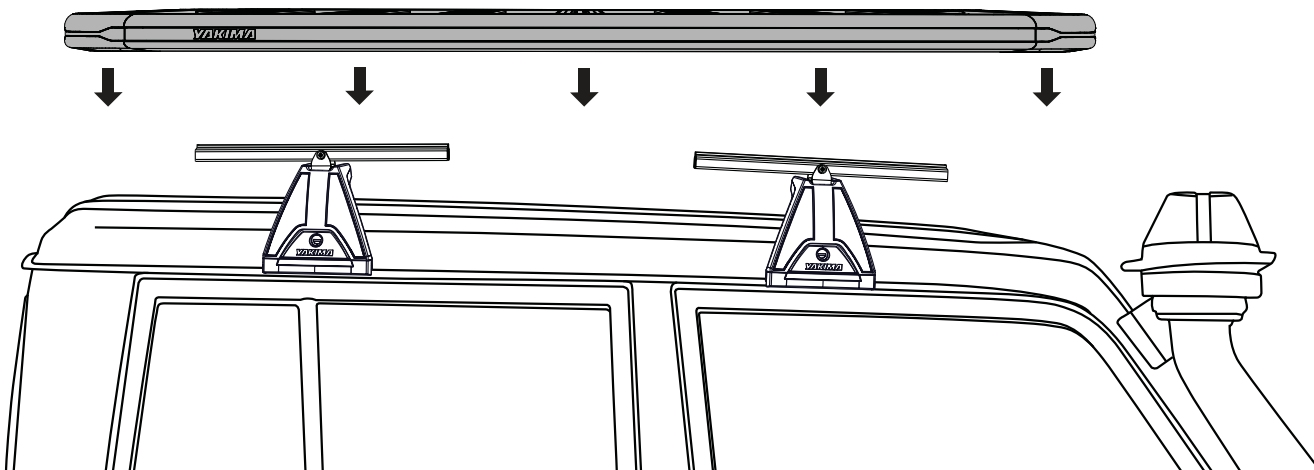
13 LIFT PLATFORM ONTO VEHICLE

With the help of an assistant, carefully lift assembled Platform up and onto Mounting Blocks on vehicle roof. Centre platform evenly on Legs so there is an equal overhang on sides and ideally on the front and rear.

NOTE - Wind Deflector is to be at the front of the vehicle.

NOTE - For hatch vehicles ensure to position the Platform so that there is adequate hatch clearance when fully opened.

Follow LOCKN'LOAD Platform Leg Mounting instructions from Step 7 to complete install.



YAKIMA

www.yakima.com.au

YAKIMA AUSTRALIA PTY. LTD
17 Hinkler Court
Brendale, QLD 4500
Australia
1800 143 548

YAKIMA EUROPE
Twentehaven 7
3433 PT Nieuwegein
The Netherlands
+31 2080 81425

YAKIMA PRODUCTS, INC.
4101 Kruse Way
Lake Oswego, OR
97035-2541
USA
888 925 4621