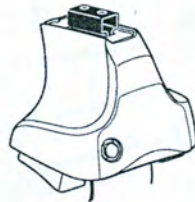
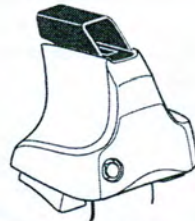
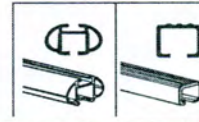


Kit 1688

ISUZU D-Max, 4-dr Crew Cab, 12-



754 Rapid System
480R Rapid Traverse (North America)



480 Traverse (North America)



Max.
75 kg
Max.
165 lbs

km/h
Mph

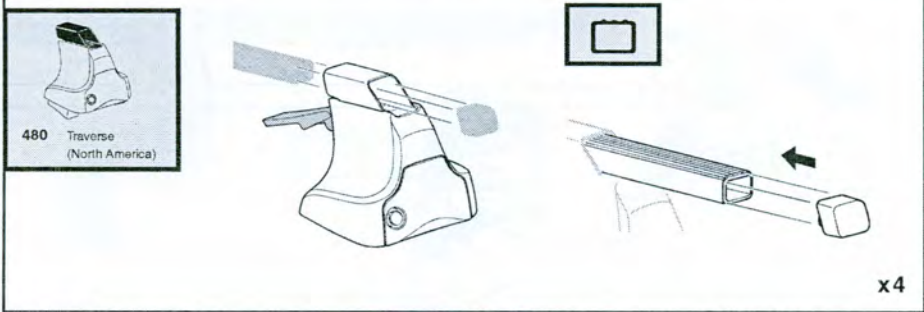
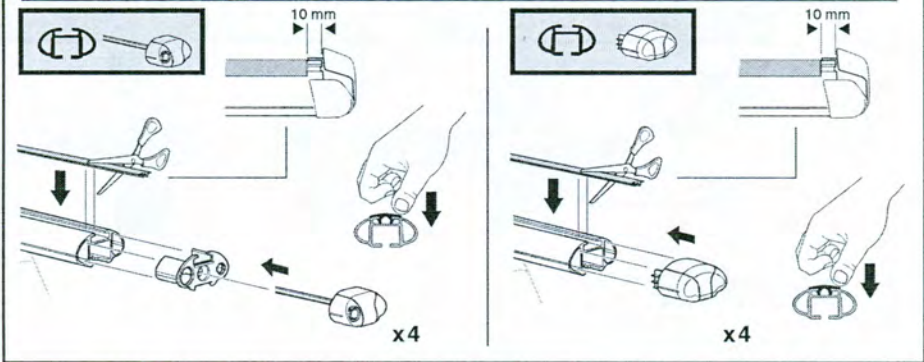
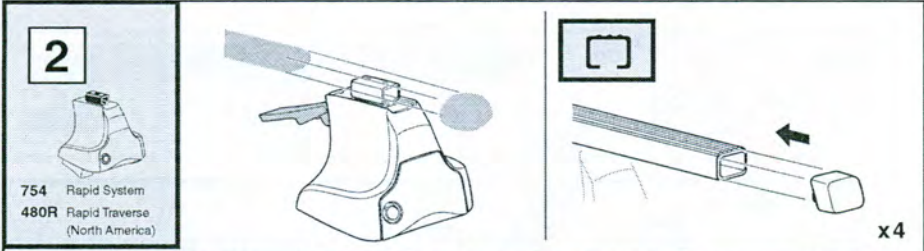
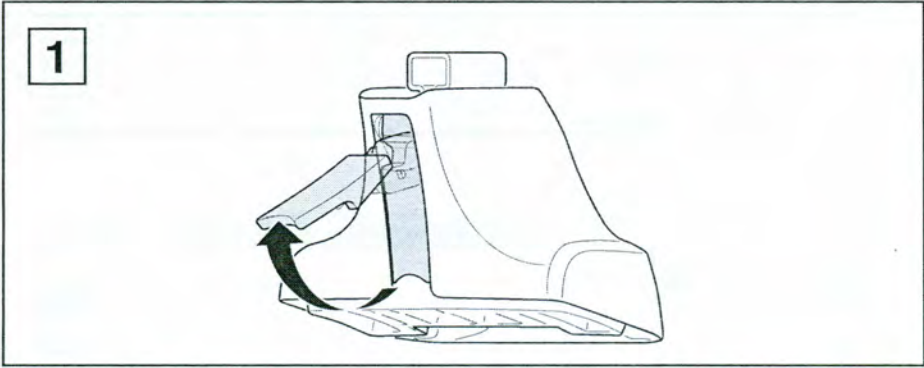
THULE
Kit XXXX
Instructions

x1
754 Rapid System
x4
480R Rapid Traverse (North America)
(North America)
x4
x4

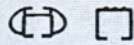
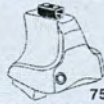
x1
480 Traverse (North America)
x4
x4

x2
x2
23 mm
x2
x2
x4
x4
x1
17 mm
x2
23 mm
x2
x2
x4
(North America)
x2
x2
x2
x2

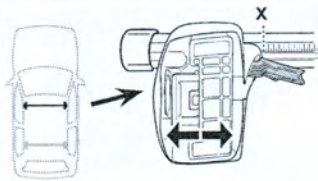
1234 x 4
390 x 2
391 x 1
392 x 1
x1



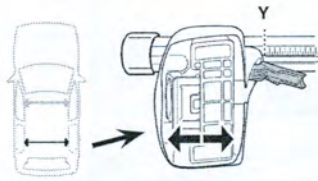
3



754 Rapid System



	X
ISUZU D-Max, 4-dr Crew Cab, 12-	38



	Y
ISUZU D-Max, 4-dr Crew Cab, 12-	35,5

3

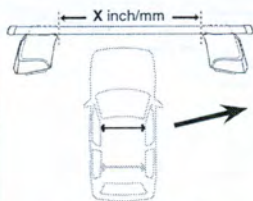


480R Rapid Traverse

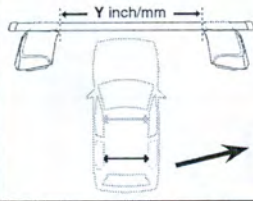


480 Traverse

(North America)

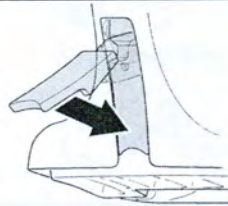


	X inch	X mm
ISUZU D-Max, 4-dr Crew Cab, 12-	40 5/8"	1031 mm



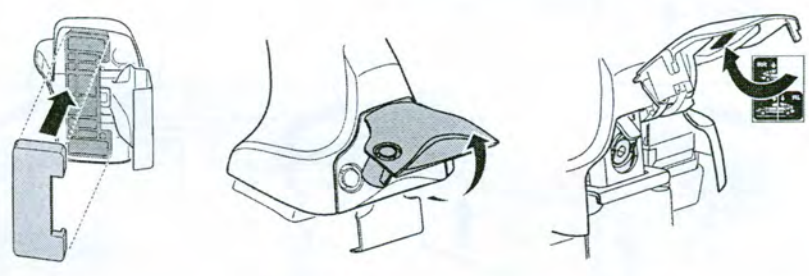
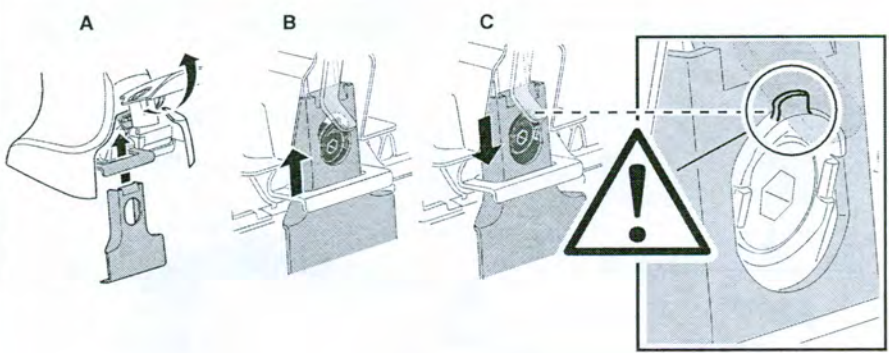
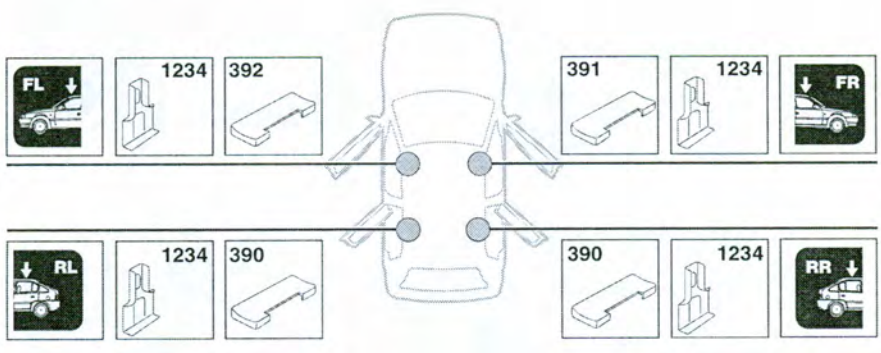
	Y inch	Y mm
ISUZU D-Max, 4-dr Crew Cab, 12-	39 5/8"	1006 mm

4

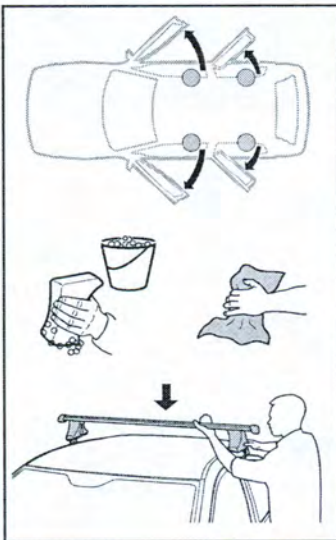


5

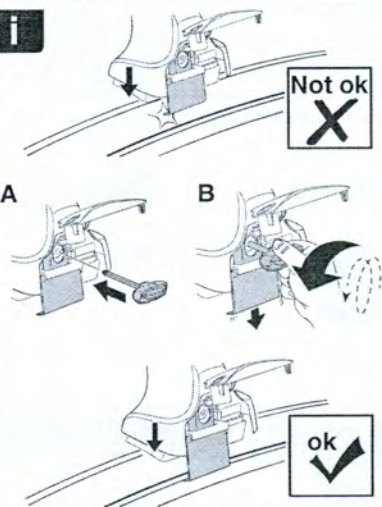
ISUZU D-Max, 4-dr Crew Cab, 12-



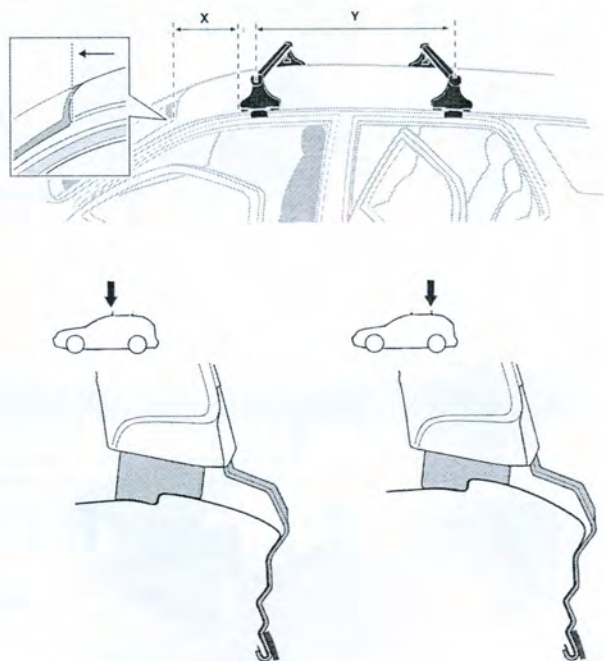
6



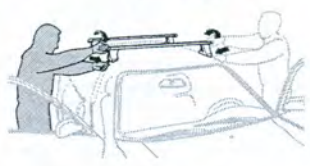
i



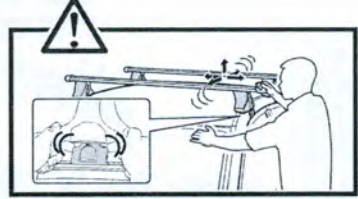
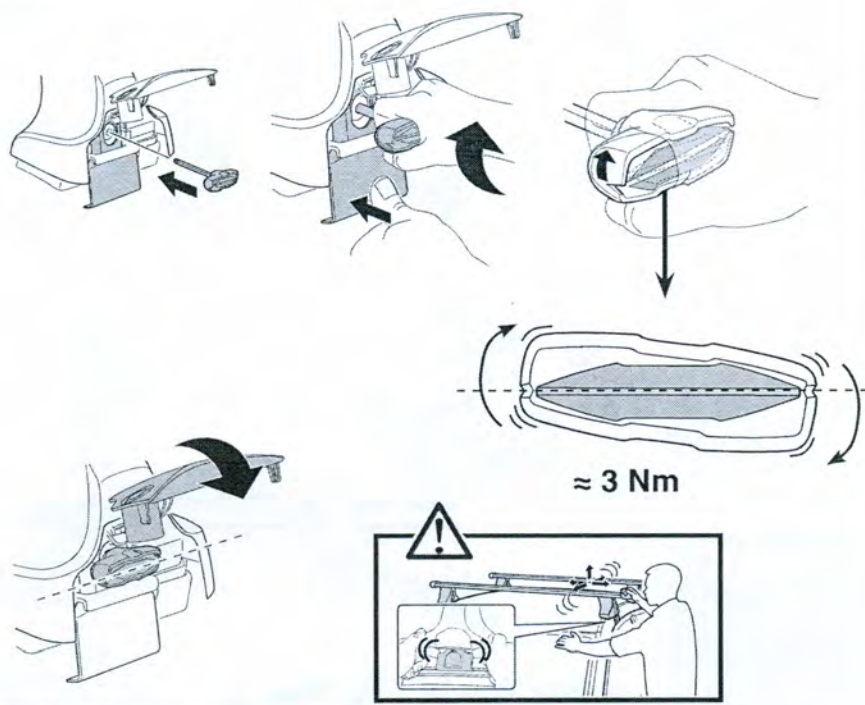
	X mm	Y mm	X inch	Y inch
ISUZU D-Max, 4-dr Crew Cab, 12-	250 mm	700 mm	9 7/8"	27 1/2"



7



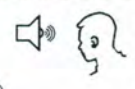
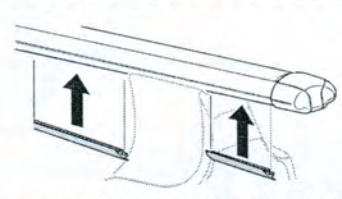
- | | | | |
|--------------|---|------------|---|
| GB/US | Tighten alternately | CZ | Pokrétla багаžníka dokręcaj dokręcaj naprzemiennie. |
| D | Die Schrauben abwechselnd anziehen | SK | Dofaľujte striedavo |
| F | Serrer alternativement chaque côté | SLO | Privijajte izmenično. |
| NL | Afwisselend aan de linker- en de rechterkant aandraaien | HR | Naizmjenično zatęgnite |
| I | Alternare il serraggio delle viti | HU | Egy mástól függetlenül szorítandó |
| E | Apretar alternadamente | GR | Σφιγγετε εναλλάξ |
| PT | Apertar alternadamente | TR | Dönöşürmlü sıkın |
| S | Dra åt växelvis | 中文 | 交替拧紧 |
| FIN | Kierrä vuorotellen | 한국어 | 번갈아 가며 조이십시오. |
| EST | Pinguldage vaheldumisi | 日本語 | 交互に締め付けてください。 |
| LAT | Pīvelciēt pamīšus | ไทย | ขันในแบบสลับ |
| LIT | Užsukinėkite pakaitomis | | |
| PL | Śruby dokręcaj naprzemiennie | | |
| RU | Затягивайте попеременно | | |



8

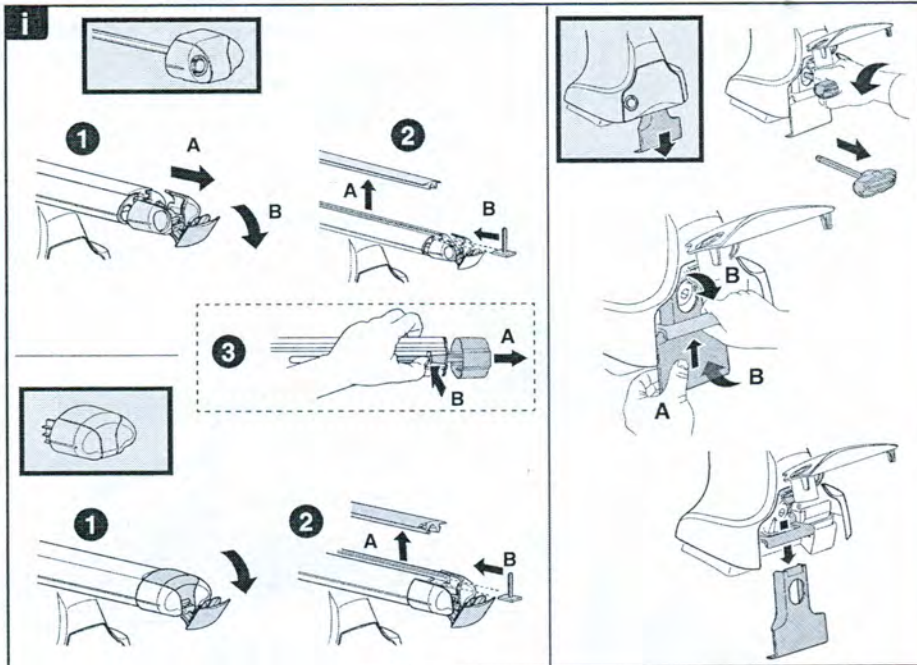
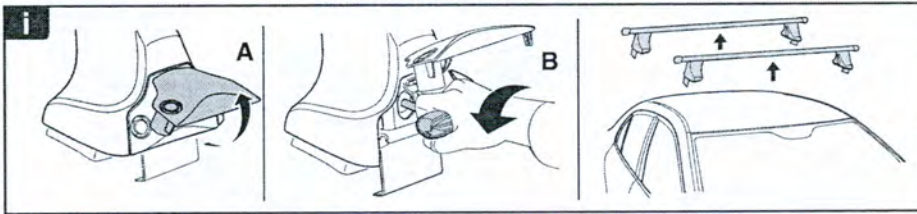


x1
17 mm



503-1688-01

7



THULE
SWEDEN

**ONE
KEY
SYSTEM**

		(x4)
		(x6)
		(x8)
NA		(x10)
EUR		(x12)
ASIA		

WW ▶ Thule Sweden AB, Box 69, 330 33 Hillerstorp, SWEDEN
 NA ▶ Thule Inc., 42 Silvermine Road, Seymour, Connecticut 06483, USA

info@thule.com
 @ customer.service@thule.com

www.thule.com

503-1688-01