



# TOWBAR INSTALLATION INSTRUCTIONS

PART NUMBER 03396RW

ISUZU MU-X MY21 CL4



## PRODUCT DETAILS:

Part Number:	03396RW	Maximum Towing Braked:	3500	kg
ECU Number:	04835	Maximum Towing Unbraked:	750	kg
Tail Harness Length Required:	See Note	Maximum Static Ball Load:	350	kg
TBM/Lug Part Number:	21201			
Wiring Part Number:	102462-WL			

## FITTING DETAILS:

Towbar Installation Time:	60 Mins.	Hayman Reese SmartCODE Solution Required:	NO
Wiring Installation Time:	60 Mins.	RPA Disable/Other:	YES
Total Installation Time:	120 Mins.		
Bumper Cut Required:	No	Note:	

- 04943 tail must be use for RPA disable.



# TOWBAR INSTALLATION INSTRUCTIONS

PART NUMBER 03396RW

ISUZU MU-X MY21 CL4

**ENSURE THAT INSTRUCTIONS ARE UNDERSTOOD PRIOR TO FITMENT.**

## **i** BEFORE YOU START:

Hayman Reese recommends that instructions are read completely prior to fitment. Check all hardware items have been included refer to assembly diagram. Please ensure this towbar is only fitted to vehicle models as per Hayman Reese application guide ([www.haymanreese.com.au](http://www.haymanreese.com.au)).

### Bumper Cuts



Vehicle and bumper variations can and do occur during vehicle manufacture after initial towbar design. Fitment of towbar to vehicle and accuracy of bumper cut must be assessed prior to any bumper modifications made. Incorrect bumper cuts are not covered under Hayman Reese warranty.

**NOTE: Bumper cuts need to be approached with care, refer to notes below.**

- Bumper centreline – where the centreline of the bumper needs to be determined, the installer must assess centre point by measurement of bumper width or determining two symmetrical reference points to give centreline.
- Bumper edge – To assist with accurate bumper cut measurement, reference to the start of the bumper edge is now being commonly used.
  - Measure from bottom edge along bumper and around corner to the 70 mm point (Figure 1).
  - Do not measure from visible bumper front of corner, upwards (Figure 2).

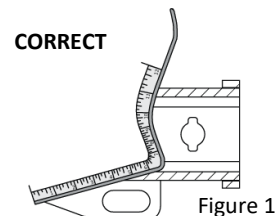


Figure 1

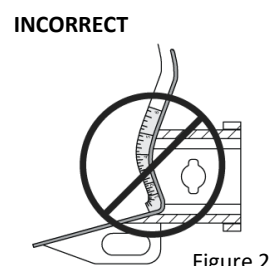


Figure 2

### Drilling

- For any required drilling during installation, ensure that the area is clear of fuel, electrical & other components that may be damaged.
- All holes drilled into the body panels shall have all burrs & swarf removed then coated with a suitable rust preventative paint.

### Bolts/Fasteners

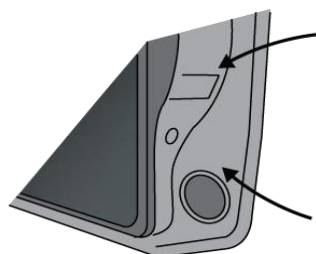
- Ensure that all hardware is fastened to correct torque as specified in this fitting instruction.
- All fasteners supplied with this product are used to achieve a specified clamp loading. If replacement is required ensure that fasteners of the same grade and class are used.



**NOTE: Achieving correct torque is critical to proper installation and responsibility of the installer. Towbar failures attributed to tension issues from over tightening or under tightening are not covered by Hayman Reese warranty.**

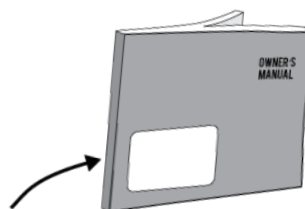
### Product Labels

- a. Towbar load rating sticker provided with this product shall be conspicuously located on inside rear end of the driver's door.
- b. Powertrain Control Module (PCM)/Body Control Module (BCM) upgrade warning label will be provided in towbar kit for vehicles as required. Affix warning label in door and owner's handbook.



Place **Load Rating sticker** inside driver's door here

Place **Vehicle PCM/ BCM upgrade warning label** in door AND on front cover of owner's service handbook



## **WARNING:**

**Do not, drill, cut, weld or otherwise modify the towbar.**

**FOR TOWING PURPOSES ONLY - This towbar is designed and tested by Hayman Reese to adhere to ADR 62/02 which provides only for the expected load demands of towing.**

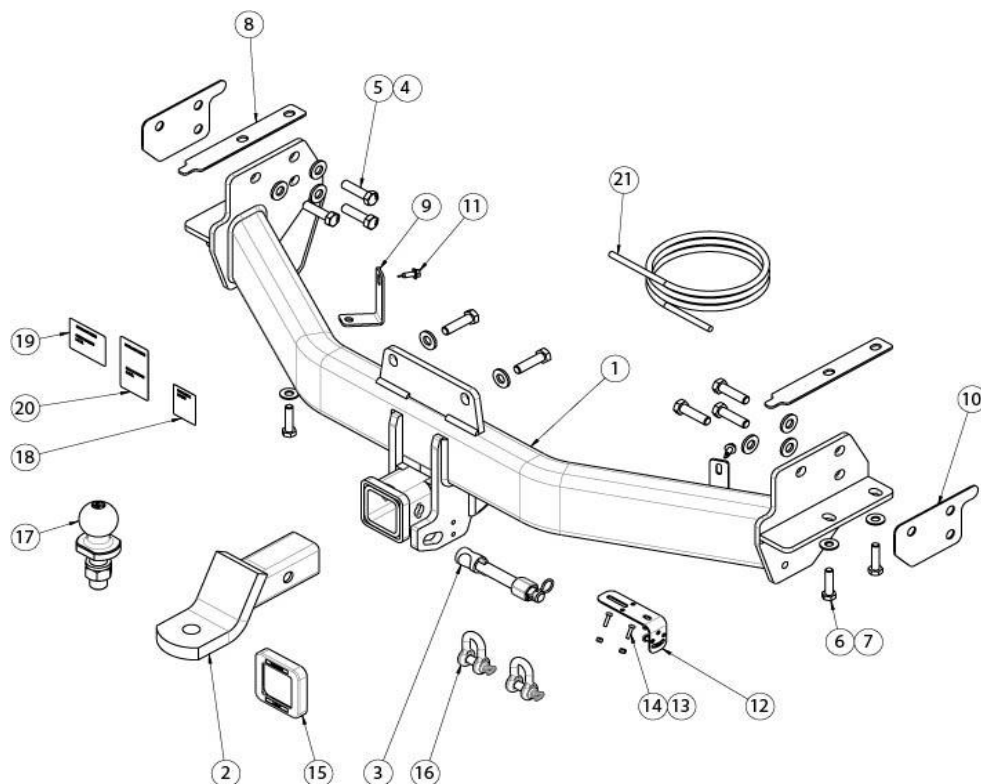


# TOWBAR INSTALLATION INSTRUCTIONS

PART NUMBER 03396RW

ISUZU MU-X MY21 CL4

## **i** TOWBAR ASSEMBLY DIAGRAM



ITEM	DESCRIPTION	QTY
1	ISUZU MU-X WELDED ASSEMBLY	1
2	TRAILER BALL MOUNT	1
3	SMART PIN GOLD	1
4	WASHER PLAIN 1/2"	8
5	SET SCREW HEX HD M12x45x1.25P	8
6	BOLT HEX HD M10x40x1.25P	4
7	WASHER FLAT M10x23x2	4
8	SPACER PLATE	2
9	BUMPER TAB	2
10	2MM SHIM PLATE	2
11	TEK SCREW 14-20 HEX HD 22mm	2

ITEM	DESCRIPTION	QTY
12	UNIVERSAL PLUG BRACKET	1
13	NUT NYLOC HEX HD M4x0.7P	2
14	SCREW PAN HD M4x16x0.7P	2
15	HITCH BOX COLLAR COVER	1
16	"D" SHACKLE 10mm	2
17	TOWBALL 50mm	1
18	HAYMAN REESE LOGO STICKER	1
19	COMPLIANCE LABEL	1
20	DOOR RATING LABEL	1
21	WIRING LOOM	1

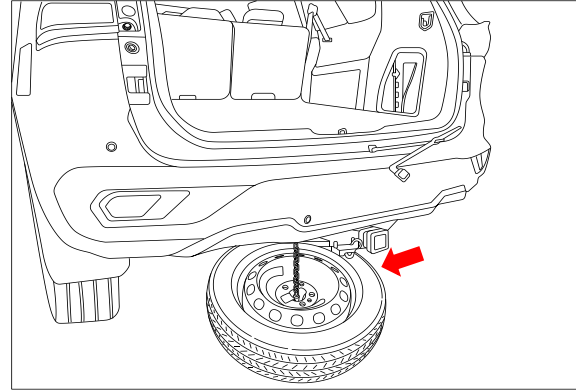


# TOWBAR INSTALLATION INSTRUCTIONS

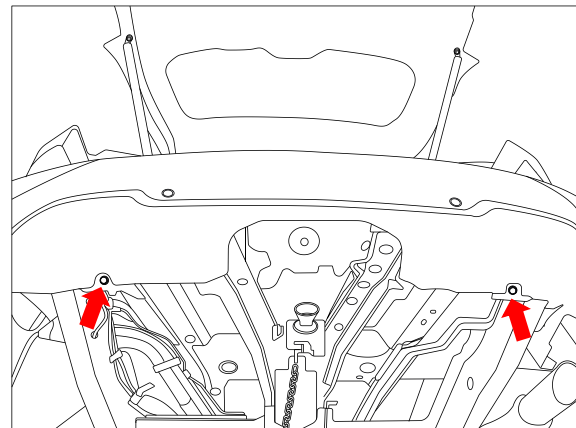
PART NUMBER 03396RW

ISUZU MU-X MY21 CL4

1. Open tailgate, lower and remove spare wheel.  
Spare wheel tools are located behind the driver's side panel in the luggage compartment.

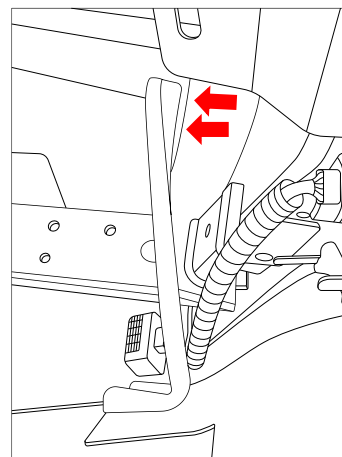


2. Under bumper, remove the 2 x scrivenets securing the bumper to the bumper brackets.



3. From under the vehicle, remove and dispose the bumper brackets secured with 2 x nuts on studs.

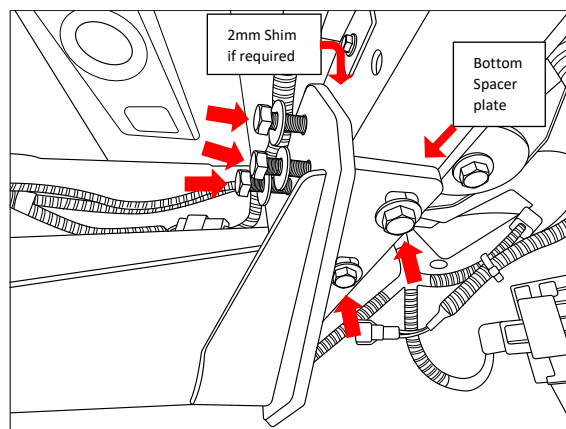
Repeat for other side.



4. Lift the towbar assembly along with the bottom spacer plate up to chassis rail and loosely secure the side with 3 x M12 bolts complete with 1 x washer per bolt and from underneath with 2 x M10 bolts complete with 1 x washer per bolt.

Repeat for other side.

**NOTE: Use the 2mm shim plates as required to eliminate excessive clearance between the chassis rail and the towbar side arms.**

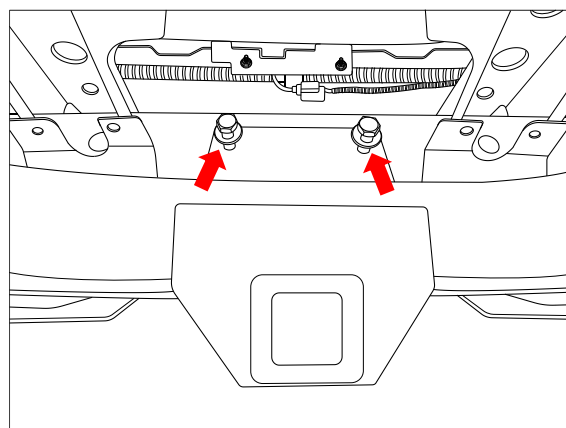


5. Loosely secure the centre mount positions with 2 x M12 bolts complete with 1 x washer per bolt.

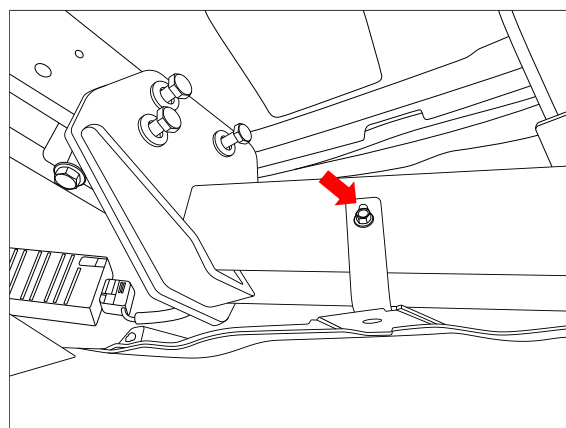
Tighten all fasteners to the following torque:

**M10 x 1.25 GR10.9 : 68Nm**

**M12 x 1.25 GR10.9 : 125Nm**



6. Position and secure the 2 x bumper tabs to the crosstube using the provided Tek screws.
7. Secure the bumper to the bumper tabs with the removed scrivenets from step 2.



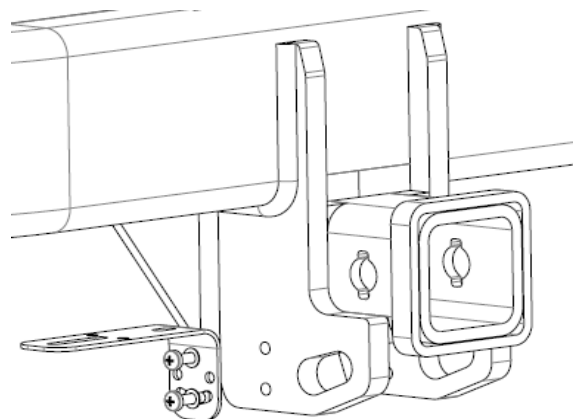


# TOWBAR INSTALLATION INSTRUCTIONS

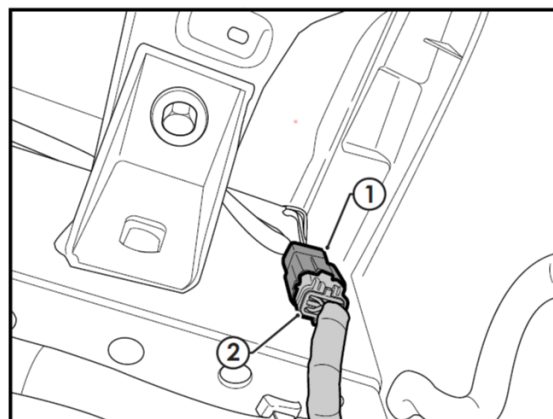
PART NUMBER 03396RW

ISUZU MU-X MY21 CL4

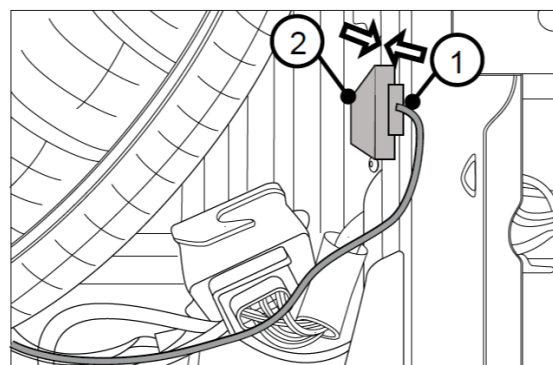
- Secure the plug bracket to the dropper with 2 x M5 screws complete with 1 x washer and 1 x nut per screw.



- On the LHS for the chassis locate the 8-way breakout connector and remove the blanking plug (1).
- Plug in the trailer patch (102462-WL) into the mating vehicle.



- Connect the trailer patch 24-way connector (1) to the ECU (04835) (2).
- Secure the ECU to the chassis using tek screws or cable tie (not supplied).



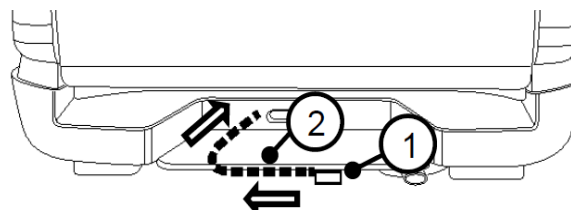


# TOWBAR INSTALLATION INSTRUCTIONS

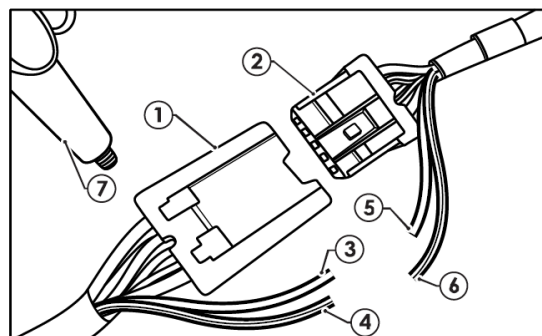
PART NUMBER 03396RW

ISUZU MU-X MY21 CL4

13. Mount the trailer socket (1) to the plug bracket.
14. Route the tail harness blue connector (2) (tail length 1200mm) towards the trailer patch mating connector.



15. Connect the tail harness 8-way connector (1) to the trailer patch mating 8-way connector (2).
16. Strip and crimp, GREY (3) and GREY/BLACK (4) wires to the RPA patch matching GREY (5) and GREY/BLACK (6) wires and insulate connections.
17. Apply silicon grease (7) (not provided) to the blue connectors to prevent water ingress.



18. Test the trailer patch function using a light board or multi-meter.
19. Secure all harness using cable tie (not supplied).
20. Place fitting instructions in glovebox after fitment.



# CUSTOMER INFORMATION

PLACE THESE INSTRUCTIONS IN THE  
VEHICLE'S GLOVEBOX AFTER INSTALLATION

**THANK YOU FOR PURCHASING HAYMAN REESE.  
WITH CORRECT MAINTENANCE AND CARE THIS PRODUCT WILL PROVIDE A  
LIFETIME OF TROUBLE-FREE OPERATION.**

## **i** TOWBAR MAINTENANCE AND CARE:

1. Hayman Reese recommend that the towbar LUG or TBM (tow ball Mount) Pull Pin and R-clip are removed and stored when not in use. Removal of LUG or TBM (tow ball mount) is advisable when not in use to assist with any of the following.
  - Ensure rear number plate is not obscured.
  - Allow maximum available departure angle and prevent any potential interference.
  - Prevent possible interference with vehicles reverse sensors or camera detecting a tow ball mount as an obstruction during reversing.
  - Removes towball mount as an obstruction for when moving around the rear of the vehicle.
2. Hayman Reese recommends routine inspection of your towbar to ensure trouble free towing.
  - Bolt security and tension should be regularly inspected and checked for correct tension. Replace any worn or defective parts with suitable grade & class fasteners. Inspection should be requested to coincide with vehicle major services.
3. It is the owner's responsibility to ensure towing and down ball weight capacities of the towing vehicle are not exceeded.
  - Towing and down ball weights allowable may differ according to model variations. Please refer to owner's manual or vehicle dealer to confirm exact rating for your vehicle model variant.
  - It is not uncommon for the vehicle tow rating to differ from the towbar rating. When this occurs, the lesser rating must be adhered to.
  - For vehicles fitted with enhanced vehicle functions that may be altered/changed when towing i.e Trailer sway mitigation, blind spot detection, adaptive cruise control etc. Please consult owner's manual to understand changes enabled when towing and after towing.

## **i** WARRANTY INFORMATION:

Hayman Reese Towbars are covered by a Lifetime Warranty.

Our goods come with guarantees that cannot be excluded under the Australian Consumer Law. You are entitled to a replacement or refund for a major failure and for compensation for any other reasonably foreseeable loss or damage. You are also entitled to have the goods repaired or replaced if the goods fail to be of acceptable quality and the failure does not amount to a major failure.

For further details please visit [www.haymanreese.com.au/warranty](http://www.haymanreese.com.au/warranty) or contact customer service on 1800 812 017 or [info@haymanreese.com.au](mailto:info@haymanreese.com.au).





# CUSTOMER INFORMATION

PLACE THESE INSTRUCTIONS IN THE VEHICLE'S GLOVEBOX AFTER INSTALLATION

## HAYMAN REESE SMART PIN

Your Hayman Reese towbar is equipped with Smart Pin technology to help reduce towbar tongue rattle in most driving conditions. Please ensure below instructions are understood and routine maintenance is carried out to ensure best towing experience.

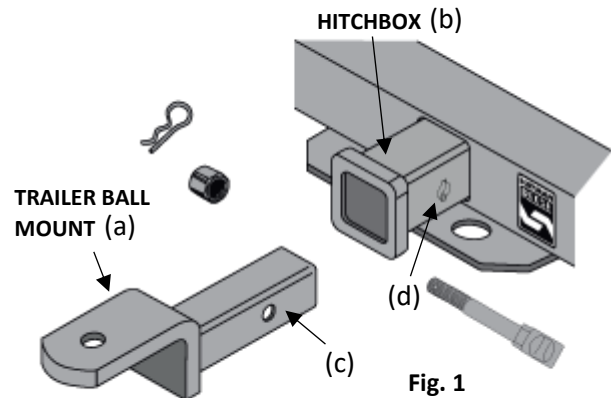
**i** Regularly inspect for wear and check the tightness of the Smart Pin Nut. Follow instructions below to re-tighten the nut as necessary when movement and noise in the tow ball mount is noted.

- Before towing, ensure R-Clip is properly installed and Smart pin nut is installed and tensioned. Replacement parts are available from your Hayman Reese Distributor.

## TOWBALL MOUNT REMOVAL/INSTALLATION

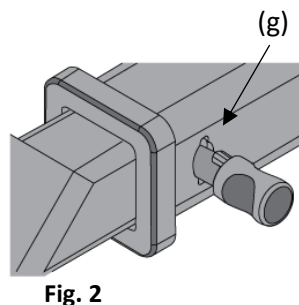
### STEP 1

Insert Trailer Ball Mount (TBM) (a) into towbar hitchbox (b), aligning hole in TBM shank (c) with hole in hitchbox (d) (Fig. 1)



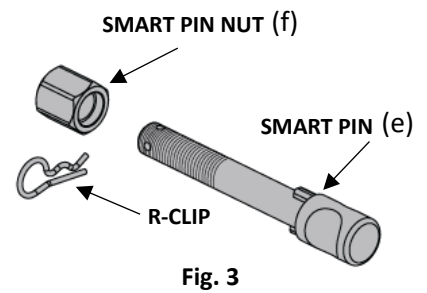
### STEP 2

Insert Smart Pin (e) through hole in hitchbox and hole in TBM shank (g); ensure the locators are inserted into the notches in the hitchbox (Fig. 2)



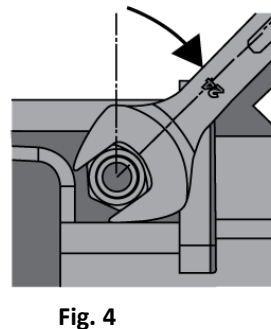
### STEP 3

Screw Smart Pin Nut (f) onto Smart Pin (g); tighten Smart Pin Nut until finger tight, ensuring TBM is restrained from up and down movement.



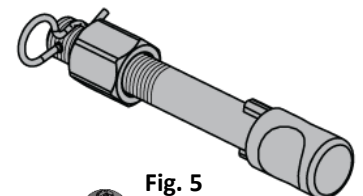
### STEP 4

Tighten Smart Pin Nut by turning nut a further 1/8th of a turn in the clockwise direction using a 24mm spanner (Fig. 4).



### STEP 5

Install Smart Pin R-Clip through the hole that provides best clearance or easiest access. (Fig. 5)



### STEP 6

Install towball onto TBM and tighten to **350 Nm** using a calibrated torque wrench (Fig. 6).

