



TOWBAR INSTALLATION INSTRUCTIONS

PART NUMBER 03364XW

ISUZU D-MAX TF / MAZDA BT50 UTE X-BAR



PRODUCT DETAILS:

Part Number:	03364XW	Maximum Towing Braked:	3500	kg
ECU Number:	04835	Maximum Towing Unbraked:	750	kg
Tail Harness Length Required:	1800 mm	Maximum Static Ball Load:	350	kg
TBM/Lug Part Number:	21366			
Wiring Part Number:	102462-WL			

FITTING DETAILS:

Towbar Installation Time:	70 Mins.	Hayman Reese SmartCODE Solution Required:	NO
Wiring Installation Time:	20 Mins.	RPA Disable/Other:	YES
Total Installation Time:	90 Mins.	Bumper Cut Required:	No

Note:

- 04943 tail must be use for RPA disable.
- Normally open (N/O) read Switch Tail must BE used to disable RPA.
 - 7 pin solution Part No. 04943
 - 12 pin solution with easy fit 90 Degree wiring exist from plug – Part No. 04959 (Socket 12PIN 90 DEG 1200RPA N/O-HR PWR)

CENTRE RECOVERY HOOK

CENTRE RECOVERY POINT LOADING MUST NOT EXCEED 8000kg.
DESIGNED FOR USE WITH A SNATCH STRAP NOT EXCEEDING 8000kg
MBS (MINIMUM BRAKING STRENGTH).

8000kg



SIDE RECOVERY HOOK (SINGLE)

SIDE RECOVERY POINT LOADING MUST NOT EXCEED 4000kg MBS
(MINIMUM BRAKING STRENGTH).

4000kg



Hayman Reese (Cequent)
PO Box 4050, Dandenong South VIC 3164
Phone 1800 812 017 Email info@haymanreese.com.au

x-bar.com.au

X BAR
BY HAYMAN REESE



TOWBAR INSTALLATION INSTRUCTIONS

PART NUMBER 03364XW

ISUZU D-MAX TF / MAZDA BT50 UTE X-BAR

ENSURE THAT INSTRUCTIONS ARE UNDERSTOOD PRIOR TO FITMENT.

i BEFORE YOU START:

Hayman Reese recommends that instructions are read completely prior to fitment. Check all hardware items have been included refer to assembly diagram. Please ensure this towbar is only fitted to vehicle models as per Hayman Reese application guide (www.haymanreese.com.au).

Bumper Cuts

Vehicle and bumper variations can and do occur during vehicle manufacture after initial towbar design. Fitment of towbar to vehicle and accuracy of bumper cut must be assessed prior to any bumper modifications made. Incorrect bumper cuts are not covered under Hayman Reese warranty.



NOTE: Bumper cuts need to be approached with care, refer to notes below.

- Bumper centreline – where the centreline of the bumper needs to be determined, the installer must assess centre point by measurement of bumper width or determining two symmetrical reference points to give centreline.
- Bumper edge – To assist with accurate bumper cut measurement, reference to the start of the bumper edge is now being commonly used.
 - Measure from bottom edge along bumper and around corner to the 70 mm point (Figure 1).
 - Do not measure from visible bumper front of corner, upwards (Figure 2).

CORRECT

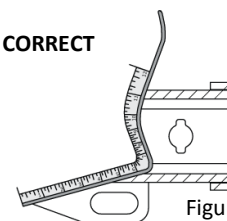


Figure 1

INCORRECT

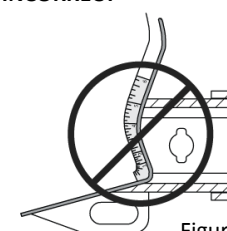


Figure 2

Drilling

- For any required drilling during installation, ensure that the area is clear of fuel, electrical & other components that may be damaged.
- All holes drilled into the body panels shall have all burrs & swarf removed then coated with a suitable rust preventative paint.

Bolts/Fasteners

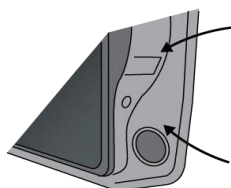
- Ensure that all hardware is fastened to correct torque as specified in this fitting instruction.
- All fasteners supplied with this product are used to achieve a specified clamp loading. If replacement is required ensure that fasteners of the same grade and class are used.



NOTE: Achieving correct torque is critical to proper installation and responsibility of the installer. Towbar failures attributed to tension issues from over tightening or under tightening are not covered by Hayman Reese warranty.

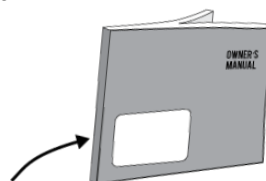
Product Labels

- a. Towbar load rating sticker provided with this product shall be conspicuously located on inside rear end of the driver's door.
- b. Powertrain Control Module (PCM)/Body Control Module (BCM) upgrade warning label will be provided in towbar kit for vehicles as required. Affix warning label in door and owner's handbook.



Place **Load Rating sticker** inside driver's door here

Place **Vehicle PCM/ BCM upgrade warning label** in door AND on front cover of owner's service handbook



WARNING:

Do not, drill, cut, weld or otherwise modify the towbar.

FOR TOWING PURPOSES ONLY - This towbar is designed and tested by Hayman Reese to adhere to ADR 62/02 which provides only for the expected load demands of towing.

Hayman Reese (Cequent)
PO Box 4050, Dandenong South VIC 3164
Phone 1800 812 017 Email info@haymanreese.com.au

x-bar.com.au

X BAR
BY HAYMAN REESE

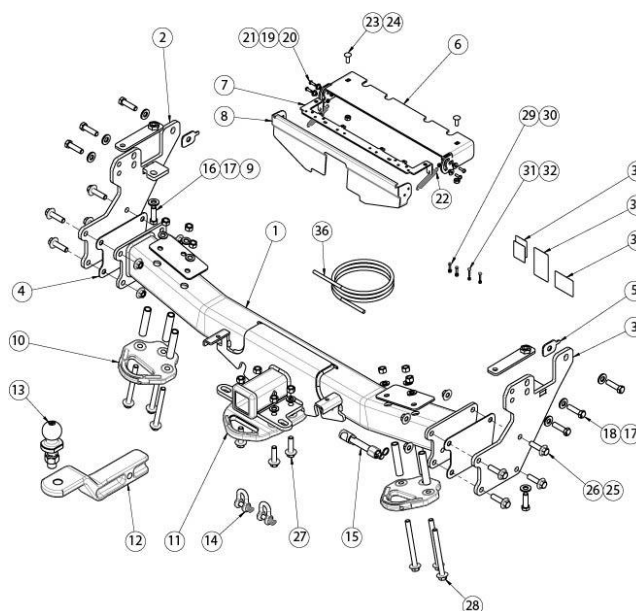


TOWBAR INSTALLATION INSTRUCTIONS

PART NUMBER 03364XW

ISUZU D-MAX TF / MAZDA BT50 UTE X-BAR

TOWBAR ASSEMBLY DIAGRAM



ITEM	DESCRIPTION	QTY
1	ISUZU DMAX WELDED ASSEMBLY	1
2	SIDE ARM ASSEMBLY, LH	1
3	SIDE ARM ASSEMBLY, RH	1
4	CROSSTUBE SPACER PLATE	2
5	SPACER PLATE	2
6	WIRING HOUSING	1
7	PLUG PLATE	1
8	XBAR REAR COVER	1
9	NUT PLATE WELDED ASSEMBLY	2
10	FORGED SIDE RECOVERY HOOK	2
11	FORGED CENTRE RECOVERY HOOK	1
12	FORGED TBM 3.5T 65MM DROP	1
13	TOWBALL 50mm	1
14	"D" SHACKLE 10mm	2
15	SMART PIN GOLD	1
16	SET SCREW HEX HD M12x40x1.75P	2
17	WASHER PLAIN 1/2"	8
18	SET SCREW HEX HD M12x45x1.25P9	6

ITEM	DESCRIPTION	QTY
19	BUSH 150Dx8Lx5ID	4
20	SET SCREW HEX HD M5x16x0.8P	4
21	NUT NYLOC INT HEX HD M5x0.8P	4
22	XBAR COVER SPRING 60Lx100Dx1P	2
23	BOLT COACH M8x20x1.25P	2
24	NUT NYLOC M8x1.25P	2
25	NUT FL HEX HD M12x1.25P	8
26	SET SCREW FL HEX HD M12x45x1.25P	8
27	CENTRE RECOVERY HOOK BOLT KIT	1
28	SIDE RECOVERY HOOK BOLT KIT	2
29	SCREW PAN HD M4x16x0.7P	2
30	NUT NYLOC HEX HD M4x0.7P	2
31	SCREW PAN HD M3x20x0.7P	2
32	NUT NYLOC HEX HD M3x0.7P	2
33	XBAR LOGO STICKER	2
34	COMPLIANCE LABEL	1
35	DOOR RATING LABEL	1
36	WIRING LOOM	1

Hayman Reese (Cequent)
PO Box 4050, Dandenong South VIC 3164
Phone 1800 812 017 Email info@haymanreese.com.au

x-bar.com.au





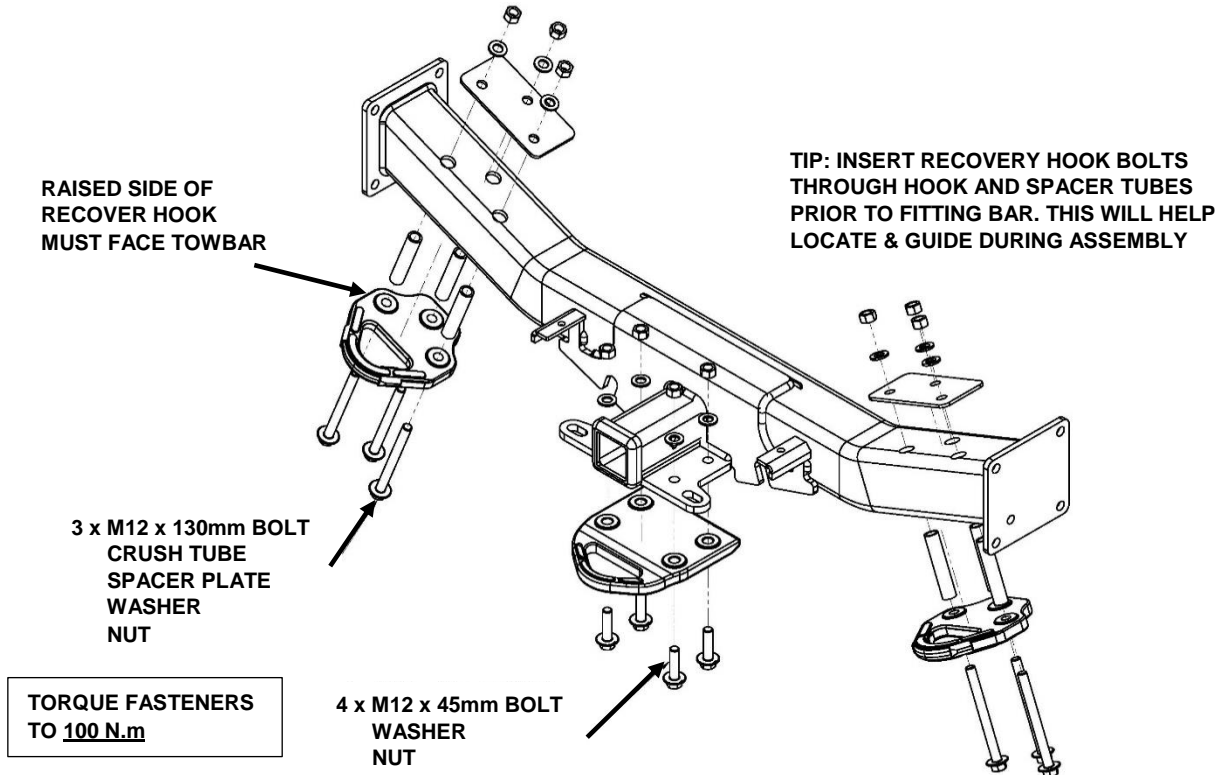
TOWBAR INSTALLATION INSTRUCTIONS

PART NUMBER 03364XW

ISUZU D-MAX TF / MAZDA BT50 UTE X-BAR

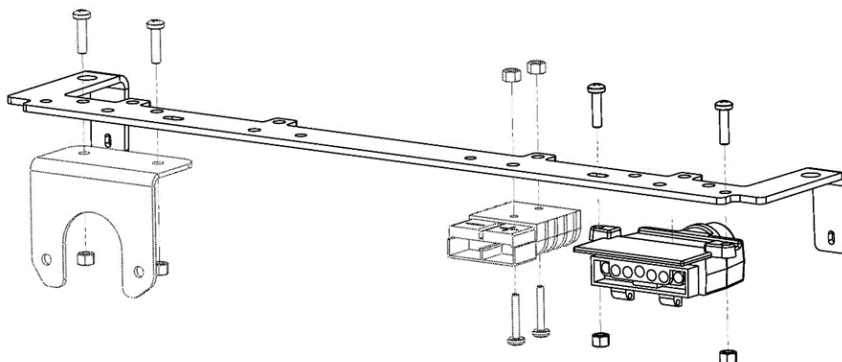
NOTE: Pre-assembly of X-Bar centre section can assist for vehicles with difficult access.

A. BOLT RECOVERY HOOKS TO TOWBAR



B. MOUNT PLUGS TO BRACKET

AFTER CHOOSING YOUR DESIRED PLUG CONFIGURATION, INSTALL PLUGS TO PLUG BRACKET USING FASTENERS PROVIDED



Hayman Reese (Cequent)
PO Box 4050, Dandenong South VIC 3164
Phone 1800 812 017 Email info@haymanreese.com.au

x-bar.com.au

XBAR
BY HAYMAN REESE



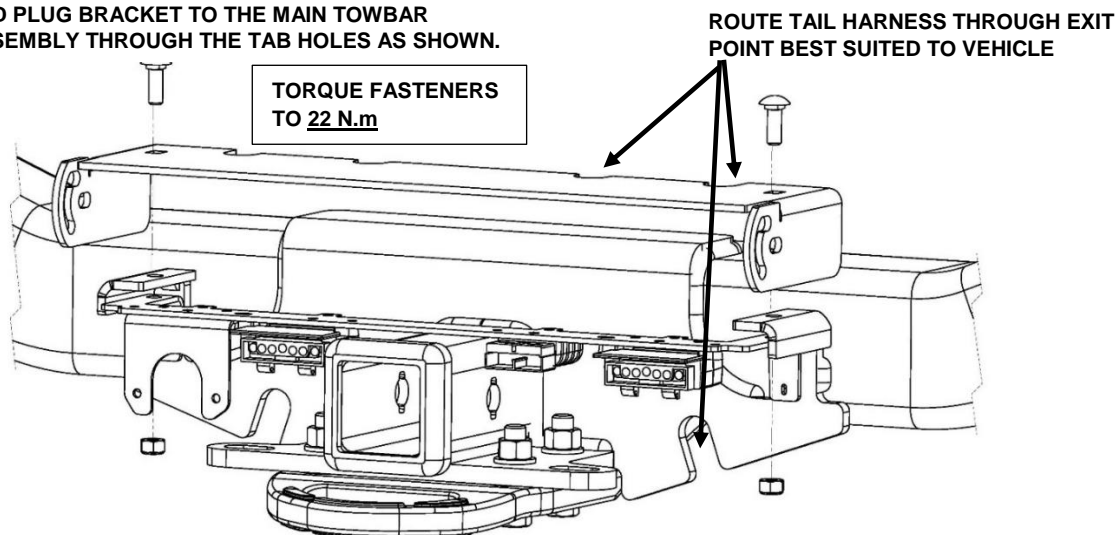
TOWBAR INSTALLATION INSTRUCTIONS

PART NUMBER 03364XW

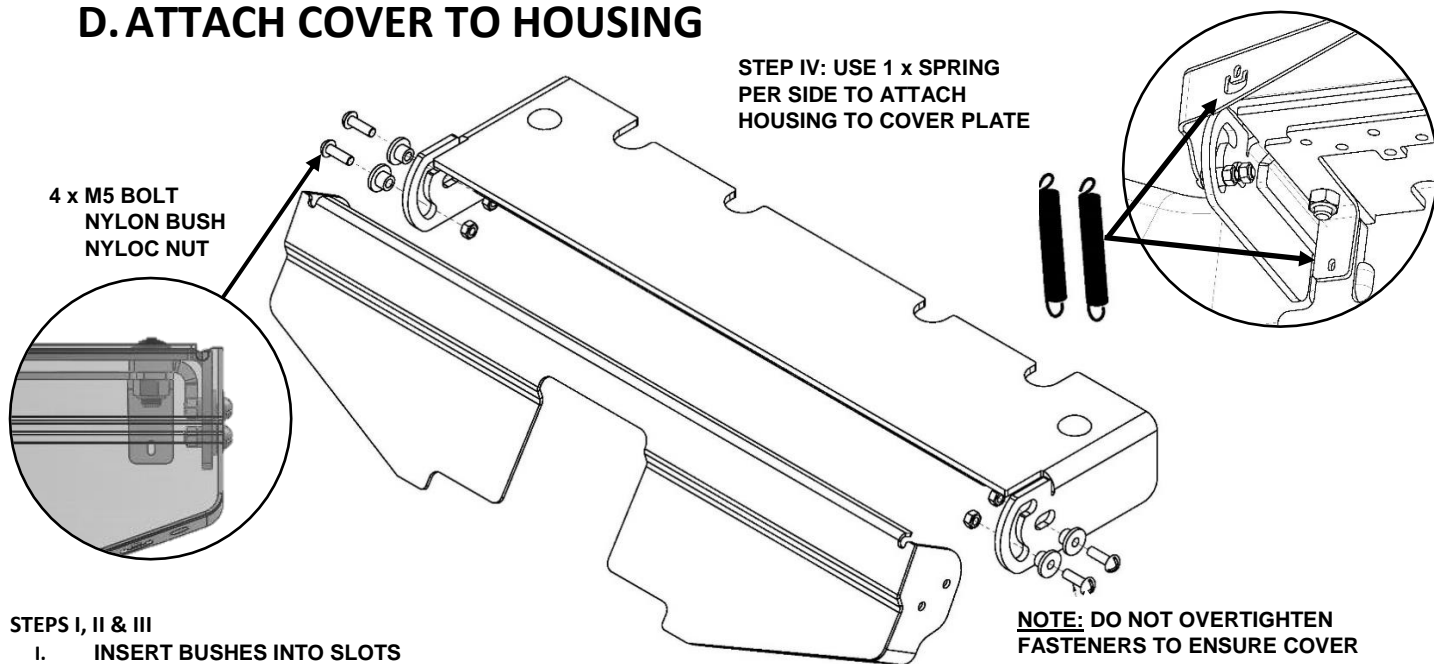
ISUZU D-MAX TF / MAZDA BT50 UTE X-BAR

C. INSTALL WIRING HOUSING

USING 2 x M8 COACH BOLTS COMPLETE WITH 1 x NYLOC NUT PER BOLT, SECURE THE WIRING HOUSING AND PLUG BRACKET TO THE MAIN TOWBAR ASSEMBLY THROUGH THE TAB HOLES AS SHOWN.



D. ATTACH COVER TO HOUSING



STEPS I, II & III

- I. INSERT BUSHES INTO SLOTS
- II. THEN PLACE COVER OVER HOUSING, LINING UP BUSHES WITH SCREW HOLES
- III. FINALLY FASTEN COVER TO HOUSING BY PUSHING SCREWS THROUGH BUSHES AND SECURING WITH NUTS

Hayman Reese (Cequent)
PO Box 4050, Dandenong South VIC 3164
Phone 1800 812 017 Email info@haymanreese.com.au

x-bar.com.au





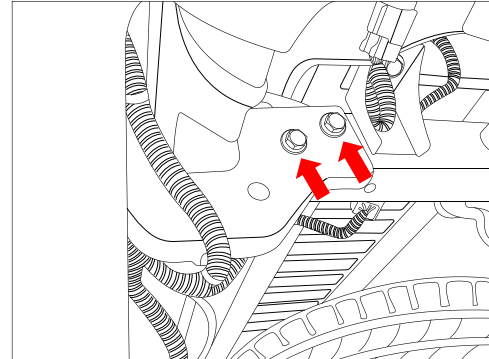
TOWBAR INSTALLATION INSTRUCTIONS

PART NUMBER 03364XW

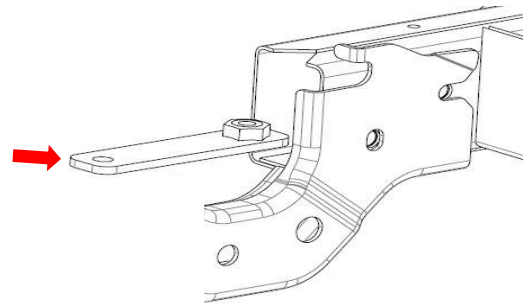
ISUZU D-MAX TF / MAZDA BT50 UTE X-BAR

1. Remove and discard the 2 x bolts securing the step bracket to the chassis rail. Do not remove the bracket.

This step only applicable for BT-50 and Cab chassis model.



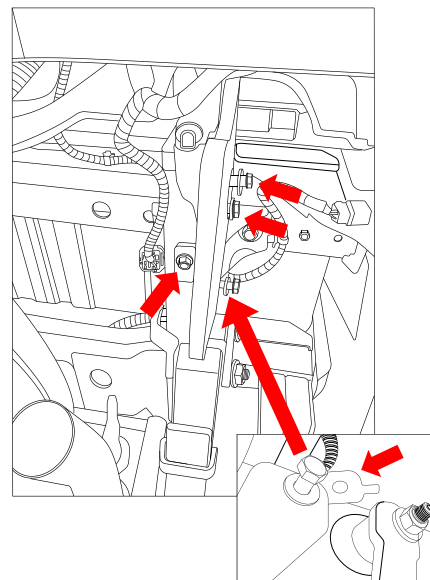
2. Insert the nut plate into the chassis rail and align with the bottom mount hole.



3. Position the side arm assembly to the chassis rail. Loosely secure the sides with 3 x M12 bolts complete with 1 x washer. Ensure to insert the (small) spacer plate between the chassis rail and the side arm assembly on the forward most fastener position. Loosely secure to the underside of the chassis rail with 1 x M12 bolt complete with 1 x washer and the inserted nut plate.

Note. Shim is only required if the step bracket is on vehicle (BT-50 or Cab/Chassis model).

4. Repeat steps 1 to 3 for the opposite side.



Hayman Reese (Cequent)
PO Box 4050, Dandenong South VIC 3164
Phone 1800 812 017 Email info@haymanreese.com.au

x-bar.com.au



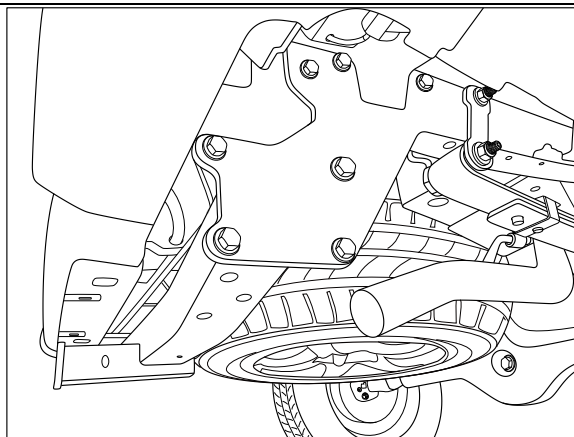


TOWBAR INSTALLATION INSTRUCTIONS

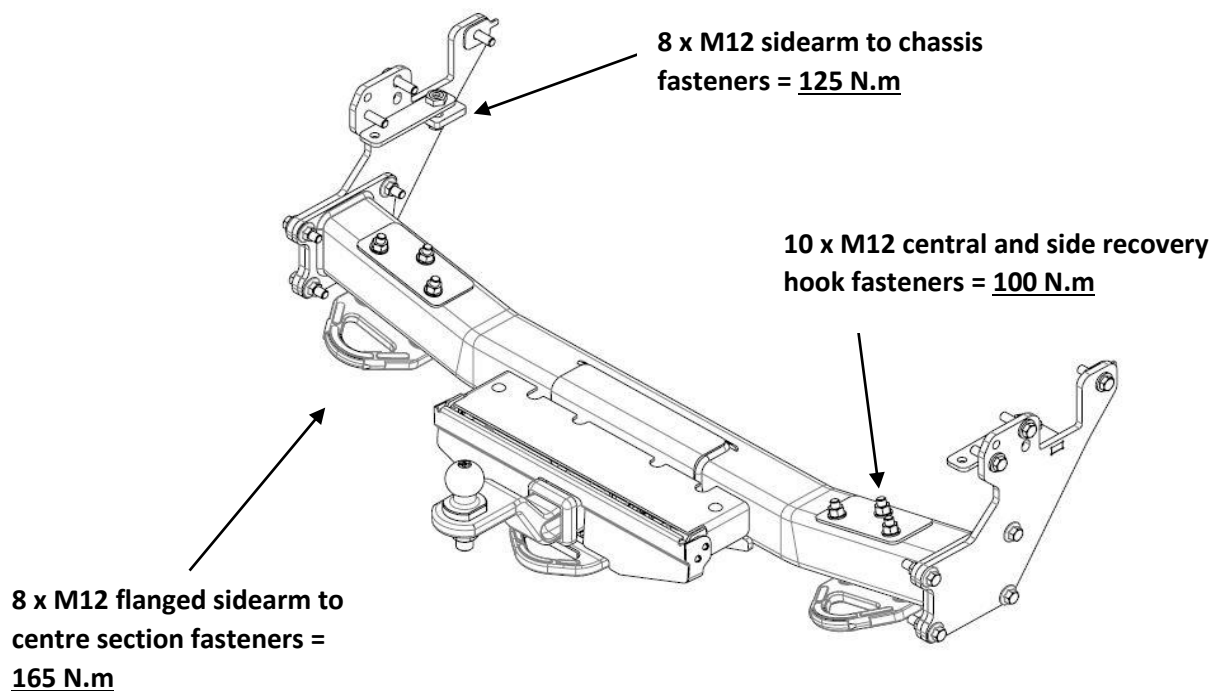
PART NUMBER 03364XW

ISUZU D-MAX TF / MAZDA BT50 UTE X-BAR

5. If not already done, complete pre-assembly steps A, B, C, & D now.
6. Prior to step 7 check the overall width between the sidearms and the crosstube assembly to determine if the packer spacers are required.
7. With assistance lift the crosstube assembly up to the side arm assemblies and loosely secure each side with 4 x M12 Flange bolts complete with 1 x Flange nut per bolt. Use the packer spacers between the crosstube and side arms if required.



9. Position (level) the vehicle step and torque all bolts as follows:



IMPORTANT: Ensure all bolts are tightened to correct torques using a calibrated torque wrench. Tighten side arms to chassis rail first in an even pattern/sequence. Repeat for centre section to side arms and finally torque all other fasteners.

Hayman Reese (Cequent)
PO Box 4050, Dandenong South VIC 3164
Phone 1800 812 017 Email info@haymanreese.com.au

x-bar.com.au

X BAR
BY HAYMAN REESE



TOWBAR INSTALLATION INSTRUCTIONS

PART NUMBER 03364XW

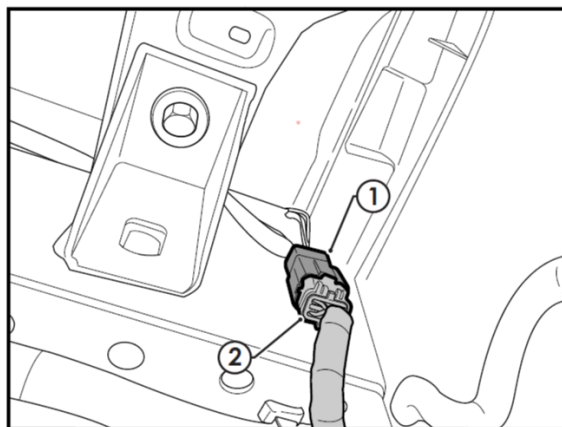
ISUZU D-MAX TF / MAZDA BT50 UTE X-BAR

IMPORTANT

Due to possible vehicle variations, always confirm any noted vehicle colour wires with a multi-meter to ensure the correct function is identified before soldering or scotch locking. For vehicle wires denoted with two colours (example; RED/GREEN) the first colour will always be the main wire colour while the second colour is the thinner trace colour on the wire.

10. On the LHS for the chassis locate the 8-way breakout connector and remove the blanking plug (1).

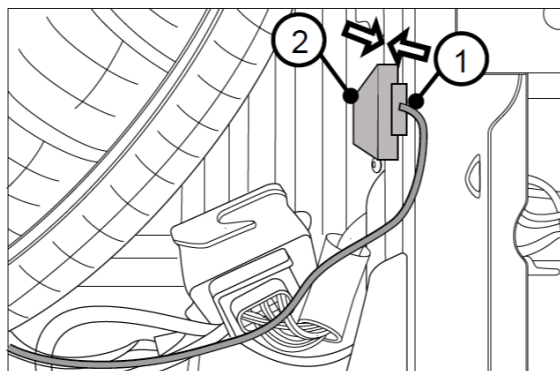
11. Plug in the trailer patch (102462-WL) into the mating vehicle.



12. Connect the trailer patch 24-way connector (1) to the ECU (04835) (2).

13. Secure the ECU to the chassis using tek screws or cable tie (not supplied).

Ensure the ECU connector is facing downward.



Hayman Reese (Cequent)
PO Box 4050, Dandenong South VIC 3164
Phone 1800 812 017 Email info@haymanreese.com.au

x-bar.com.au



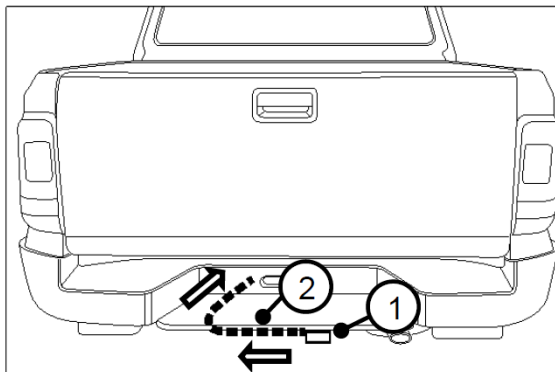


TOWBAR INSTALLATION INSTRUCTIONS

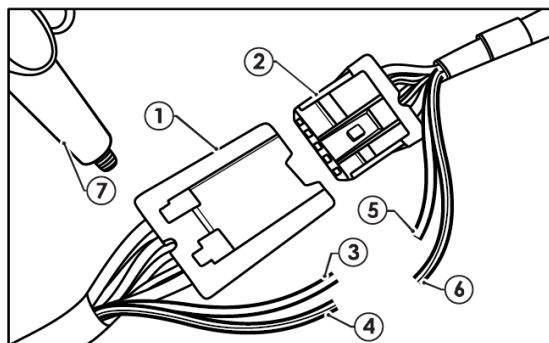
PART NUMBER 03364XW

ISUZU D-MAX TF / MAZDA BT50 UTE X-BAR

14. Mount the trailer socket (1) to the plug bracket.
15. Route the tail harness blue connector (2) (tail length 1200mm) towards the trailer patch mating connector.



16. Connect the tail harness 8-way connector (1) to the trailer patch mating 8-way connector (2).
17. Strip and crimp, GREY (3) and GREY/BLACK (4) wires to the RPA patch matching GREY (5) and GREY/BLACK (6) wires and insulate connections.
18. Apply silicon grease (7) (not provided) to the blue connectors to prevent water ingress.



19. Test the trailer patch function using a light board or multi-meter.
20. Secure all harness using cable tie (not supplied).
21. Place fitting instructions in glovebox after fitment.

Hayman Reese (Cequent)
PO Box 4050, Dandenong South VIC 3164
Phone 1800 812 017 Email info@haymanreese.com.au

x-bar.com.au





CUSTOMER INFORMATION

PLACE THESE INSTRUCTIONS IN THE
VEHICLE'S GLOVEBOX AFTER INSTALLATION

**THANK YOU FOR PURCHASING HAYMAN REESE.
WITH CORRECT MAINTENANCE AND CARE THIS PRODUCT WILL PROVIDE A
LIFETIME OF TROUBLE-FREE OPERATION.**

i TOWBAR MAINTENANCE AND CARE:

1. Hayman Reese recommend that the towbar LUG or TBM (tow ball Mount) Pull Pin and R-clip are removed and stored when not in use. Removal of LUG or TBM (tow ball mount) is advisable when not in use to assist with any of the following.
 - Ensure rear number plate is not obscured.
 - Allow maximum available departure angle and prevent any potential interference.
 - Prevent possible interference with vehicles reverse sensors or camera detecting a tow ball mount as an obstruction during reversing.
 - Removes towball mount as an obstruction for when moving around the rear of the vehicle.
2. Hayman Reese recommends routine inspection of your towbar to ensure trouble free towing.
 - Bolt security and tension should be regularly inspected and checked for correct tension. Replace any worn or defective parts with suitable grade & class fasteners. Inspection should be requested to coincide with vehicle major services.
3. It is the owner's responsibility to ensure towing and down ball weight capacities of the towing vehicle are not exceeded.
 - Towing and down ball weights allowable may differ according to model variations. Please refer to owner's manual or vehicle dealer to confirm exact rating for your vehicle model variant.
 - It is not uncommon for the vehicle tow rating to differ from the towbar rating. When this occurs, the lesser rating must be adhered to.
 - For vehicles fitted with enhanced vehicle functions that may be altered/changed when towing i.e Trailer sway mitigation, blind spot detection, adaptive cruise control etc. Please consult owner's manual to understand changes enabled when towing and after towing.

i WARRANTY INFORMATION:

Hayman Reese Towbars are covered by a Lifetime Warranty.

Our goods come with guarantees that cannot be excluded under the Australian Consumer Law. You are entitled to a replacement or refund for a major failure and for compensation for any other reasonably foreseeable loss or damage. You are also entitled to have the goods repaired or replaced if the goods fail to be of acceptable quality and the failure does not amount to a major failure.

For further details please visit www.haymanreese.com.au/warranty or contact customer service on 1800 812 017 or info@haymanreese.com.au.

Hayman Reese (Cequent)
PO Box 4050, Dandenong South VIC 3164
Phone 1800 812 017 Email info@haymanreese.com.au

x-bar.com.au





CUSTOMER INFORMATION

PLACE THESE INSTRUCTIONS IN THE VEHICLE'S GLOVEBOX AFTER INSTALLATION

HAYMAN REESE SMART PIN

Your Hayman Reese towbar is equipped with Smart Pin technology to help reduce towbar tongue rattle in most driving conditions. Please ensure below instructions are understood and routine maintenance is carried out to ensure best towing experience.

i Regularly inspect for wear and check the tightness of the Smart Pin Nut. Follow instructions below to re-tighten the nut as necessary when movement and noise in the tow ball mount is noted.

- Before towing, ensure R-Clip is properly installed and Smart pin nut is installed and tensioned. Replacement parts are available from your Hayman Reese Distributor.

TOWBALL MOUNT REMOVAL/INSTALLATION

STEP 1

Insert Trailer Ball Mount (TBM) (a) into towbar hitchbox (b), aligning hole in TBM shank (c) with hole in hitchbox (d) (Fig. 1)

STEP 2

Insert Smart Pin (e) through hole in hitchbox and hole in TBM shank (g); ensure the locators are inserted into the notches in the hitchbox (Fig. 2)

STEP 3

Screw Smart Pin Nut (f) onto Smart Pin (g); tighten Smart Pin Nut until finger tight, ensuring TBM is restrained from up and down movement.

STEP 4

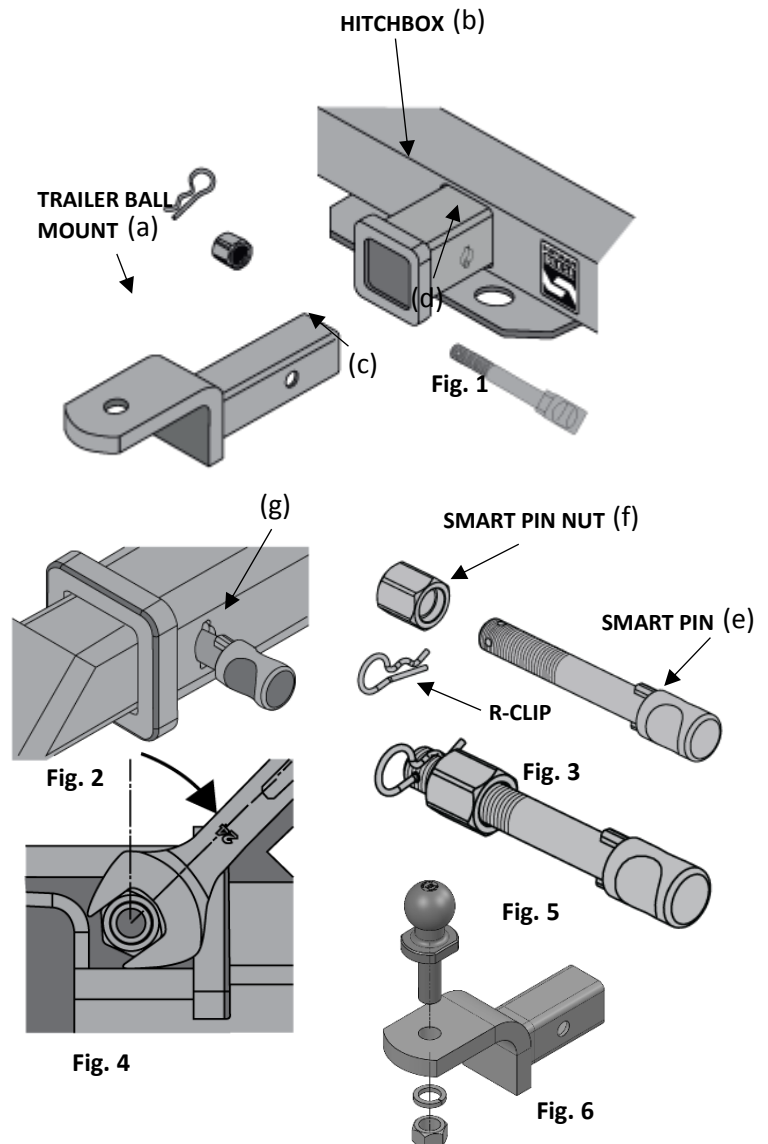
Tighten Smart Pin Nut by turning nut a further 1/8th of a turn in the clockwise direction using a 24mm spanner (Fig. 4).

STEP 5

Install Smart Pin R-Clip through the hole that provides best clearance or easiest access. (Fig. 5)

STEP 6

Install towball onto TBM and tighten to **350 Nm** using a calibrated torque wrench (Fig. 6).



Hayman Reese (Cequent)
PO Box 4050, Dandenong South VIC 3164
Phone 1800 812 017 Email info@haymanreese.com.au

x-bar.com.au

XBAR
BY HAYMAN REESE