

HAYMAN REESE
PART No: 03085RW
FIAT FREEMONT / DODGE JOURNEY 2008 ON

INSTALLATION INSTRUCTIONS

PLEASE ENSURE THAT ALL INSTRUCTIONS ARE UNDERSTOOD PRIOR TO FITMENT
PLACE THESE INSTRUCTIONS IN THE VEHICLE'S GLOVEBOX AFTER INSTALLATION IS COMPLETED



Installation Time: Approx **90** Mins

Towbar Installation Instructions

Towbar capacity

FIAT FREEMONT / DODGE JOURNEY 2008 ON

Part Number 03085RW

Max Towing Braked 1600 kg

Max Towing Unbraked 750 kg

Max Static Ball Load 160 kg

Hayman Reese (Cequent)
PO Box 4050, Dandenong South VIC 3164
Phone 1800 812 017 Email info@haymanreese.com.au

HAYMAN REESE

PART No: 03085RW

FIAT FREEMONT / DODGE JOURNEY 2008 ON

INSTALLATION INSTRUCTIONS

PLEASE ENSURE THAT ALL INSTRUCTIONS ARE UNDERSTOOD PRIOR TO FITMENT

PLACE THESE INSTRUCTIONS IN THE VEHICLES'S GLOVEBOX AFTER INSTALLATION IS COMPLETED

Warning:

1. Do not, drill, cut, weld or otherwise modify the towbar.
2. If you are using electric welding on a motor vehicle, **always** check that the vehicle is not equipped with electronic engine or instrument management equipment. Failure to do so could **destroy** any onboard computers. If in doubt, check with the vehicle's manufacturer.
3. If TBM is used in inverted position tow ball may make contact with rear tailgate when lowered, which could cause damage.

General:

1. Ensure all hardware items have been included refer to assembly diagram.
2. It is recommended that the instructions are read through and completely understood before making any attempt to fit this product.
3. Be wary of any changes to vehicle designs or other accessories that may conflict with the installation of this product.
4. Before drilling ensure that the area is clear of fuel, electrical & other components.
5. All holes drilled into the body panels shall have all burrs & swarf removed then coated with a suitable rust preventative paint.
6. The high tensile fasteners supplied with this product were used to achieve the specified rating. If replacement is required ensure that fasteners of the same rating & quality are used. Contact an authorised **Hayman Reese** dealer if further information is required.
7. Ensure that all hardware is fastened to torque list below check fasteners on regular basis.
8. Towbar load rating sticker provided with this product shall be conspicuously located on inside rear end of the driver's door. **(See diagram below).**
9. Hayman Reese recommends that you check your tow ball to ensure that it complies with the Australian standards **AS 4177.2**.
10. **PLEASE NOTE:** It is advised to remove your lug or tbn when not actually towing so as to produce a clear view of the vehicles registration plate if obscured, and to also provide maximum available departure angle.
11. Pull Pin must be fit in down position.

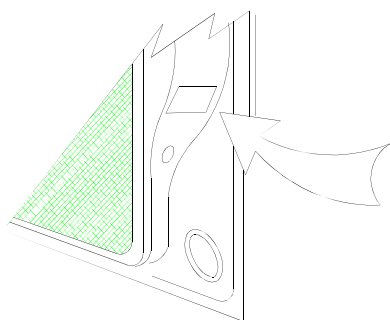
Tow bar Maintenance and Care.

Hayman Reese recommends that bolt torque's, as listed below, are routinely and regularly inspected and checked for correct tension. Replace any worn or defective parts.

We recommended to remove Tow Ball Mounts (TBM's, tongues or lugs) when not being used for any considerable length of time.

So as to avoid injury, when not towing it is suggested that the tongue, Pull Pin and R-clip are removed then stored in a safe, clean and dry place, away from excessive moisture.

Hitch Pull Pins and spring "R" clips are regularly checked for proper installation. Replace any worn or defective parts.



Place load rating sticker
inside driver's door here

RECOMMENDED ASSEMBLY TORQUE LISTING

Diameter Grade 8.8 Bolt

M6	9.5 Nm
M8	21.7 Nm
M10	43.4 Nm
M12	77.3 Nm
M14	146 Nm
M16	189.8 Nm

FOR TOWING PURPOSES ONLY

For towing capacity details please refer to vehicle owner's manual or to the manufacturer. Overloading can void your warranties.

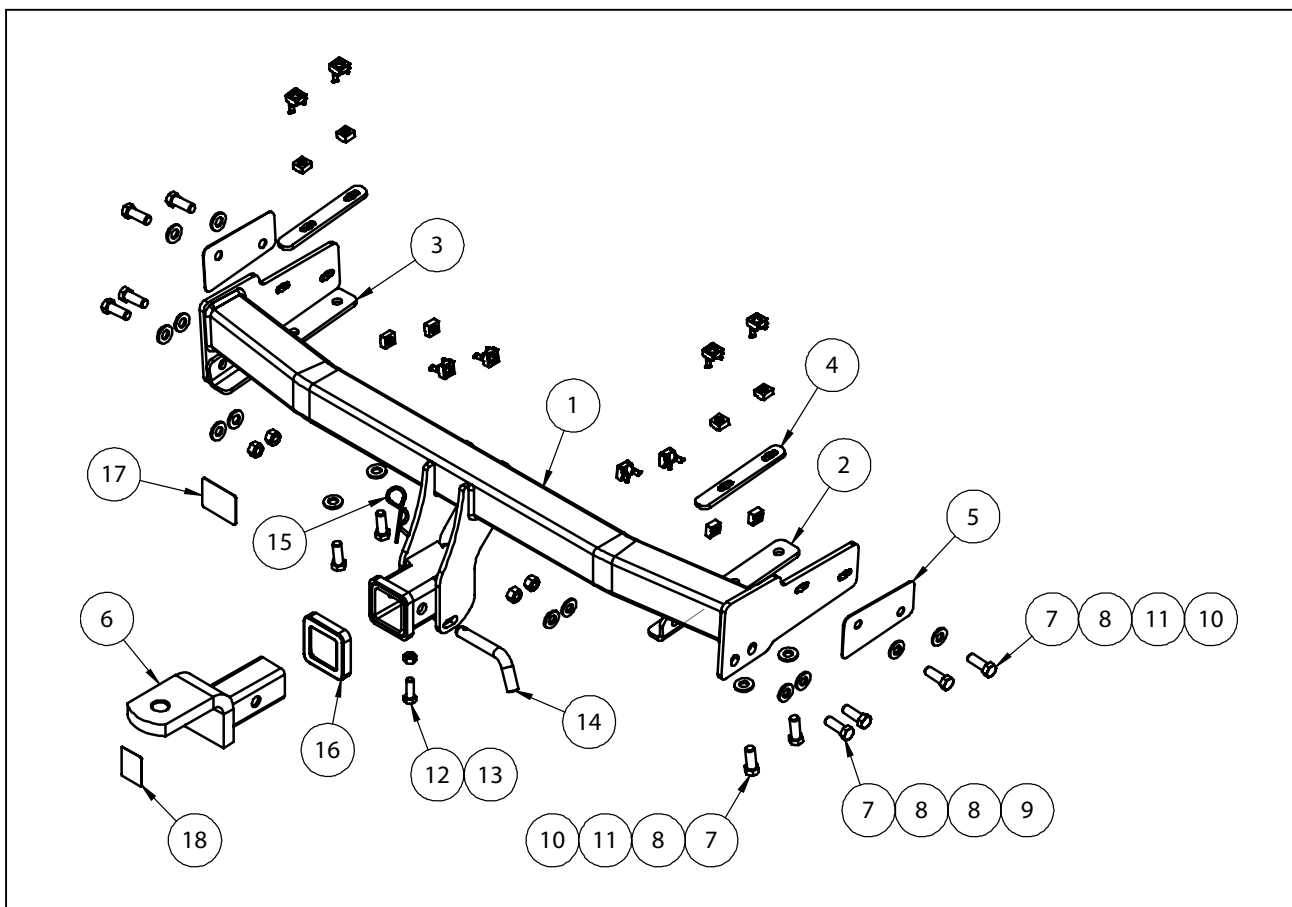
HAYMAN REESE

PART No: 03085RW

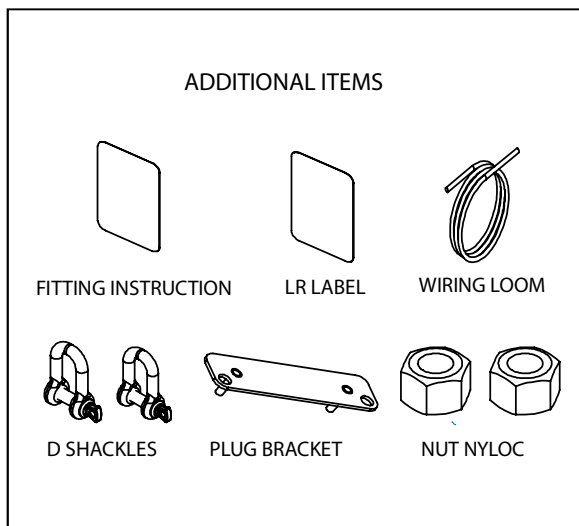
FIAT FREEMONT / DODGE JOURNEY 2008 ON

INSTALLATION INSTRUCTIONS

PLEASE ENSURE THAT ALL INSTRUCTIONS ARE UNDERSTOOD PRIOR TO FITMENT
PLACE THESE INSTRUCTIONS IN THE VEHICLES'S GLOVEBOX AFTER INSTALLATION IS COMPLETED



QTY	DESCRIPTION	ITEM NO
1	WELDED ASSEMBLY	1
1	CHASSIS RAIL BRACKET-RHS	2
1	CHASSIS RAIL BRACKET-LHS	3
2	CHASSIS RAIL PLATE	4
2	WASHER PLATE	5
1	TBM ASSEMBLY	6
12	SET SCREW M12x35 1.75P	7
16	WASHER FLAT 1/2"x1 1/8"x1/8"	8
4	HEX NUT M12x1.75 PC8	9
8	CAGE NUT RETAINER	10
8	CAGE NUT M12x1.75P	11
1	SET SCREW HEX HD M10x30x1.5P	12
1	HEX NUT M10x1.5	13
1	PULL PIN	14
1	SPRING COTTER PIN ASSY	15
1	HITCH BOX COLLAR COVER	16
1	ACRYLIC COMPLIANCE PLATE	17
1	H.R. STICKER	18



HAYMAN REESE

PART No: 03085RW

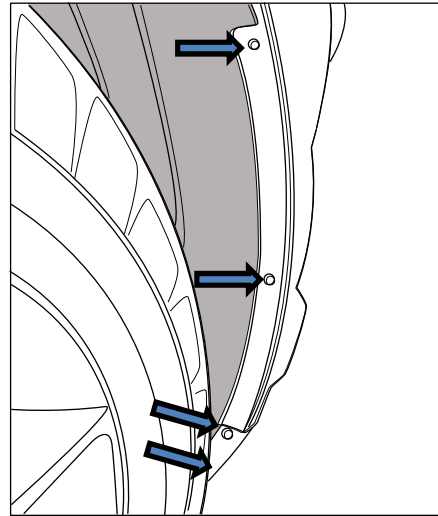
FIAT FREEMONT / DODGE JOURNEY 2008 ON

INSTALLATION INSTRUCTIONS

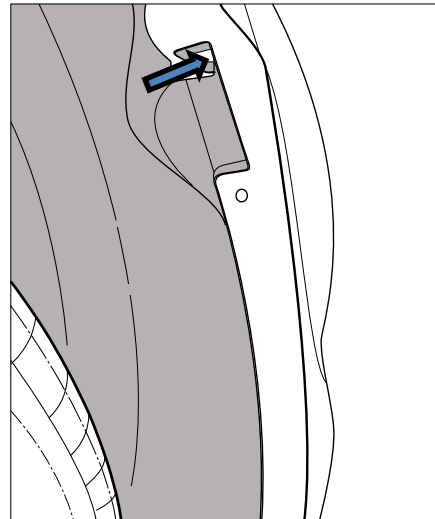
PLEASE ENSURE THAT ALL INSTRUCTIONS ARE UNDERSTOOD PRIOR TO FITMENT

PLACE THESE INSTRUCTIONS IN THE VEHICLES' GLOVEBOX AFTER INSTALLATION IS COMPLETED

1. Remove 3 off pop Rivets and 1 off push Rivets from bumper trim in rear wheel arch. Repeat for opposing side of the vehicle.

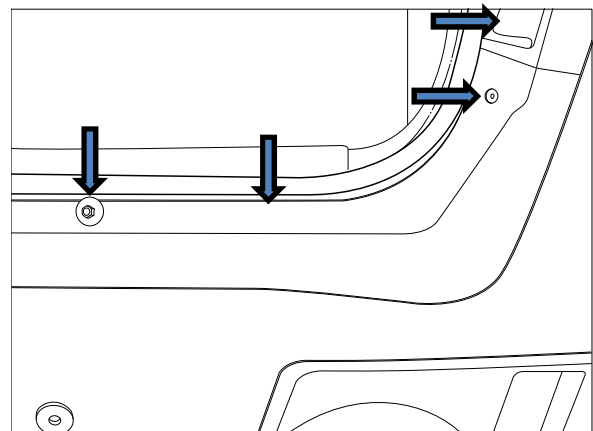


2. Remove 1 off Screw from bumper trim in rear wheel arch. Repeat for opposing side of the vehicle.



3. Remove 4 off push Rivets and 4 off Pop Rivets above Bumper step.

Disconnect any wiring to Bumper skin before removal of Bumper skin.



HAYMAN REESE

PART No: 03085RW

FIAT FREEMONT / DODGE JOURNEY 2008 ON

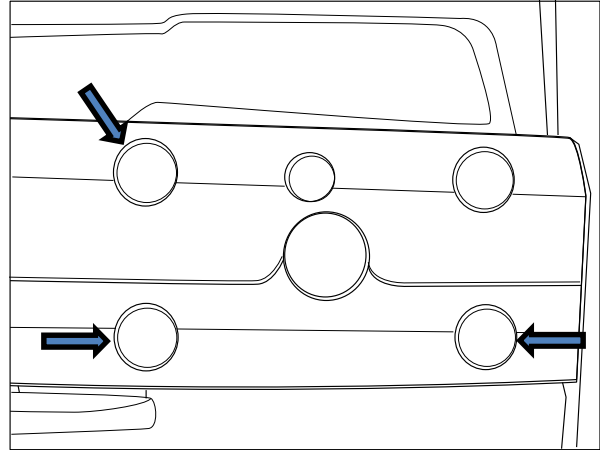
INSTALLATION INSTRUCTIONS

PLEASE ENSURE THAT ALL INSTRUCTIONS ARE UNDERSTOOD PRIOR TO FITMENT

PLACE THESE INSTRUCTIONS IN THE VEHICLES'S GLOVEBOX AFTER INSTALLATION IS COMPLETED

4. Remove 2 off Xmas Tree Clips mounting electric cable to impact beam.

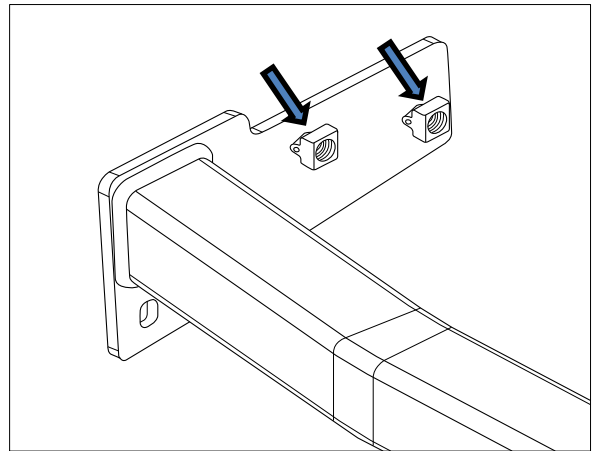
Remove 6 Nuts holding impact beam, remove and discard Impact beam.



5. Disconnect 3 off rubber mounts near muffler and lower muffler.



6. Install cage Nuts onto side arms in the 4 profiled holes.



HAYMAN REESE

PART No: 03085RW

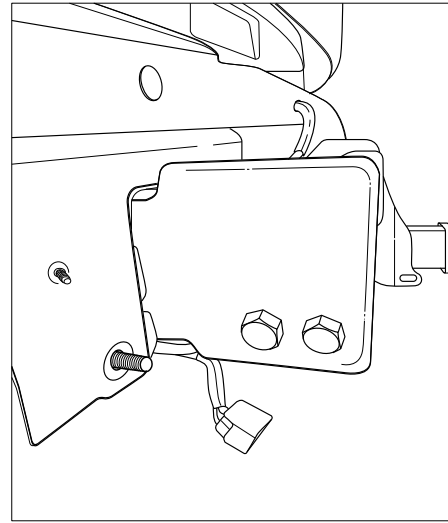
FIAT FREEMONT / DODGE JOURNEY 2008 ON

INSTALLATION INSTRUCTIONS

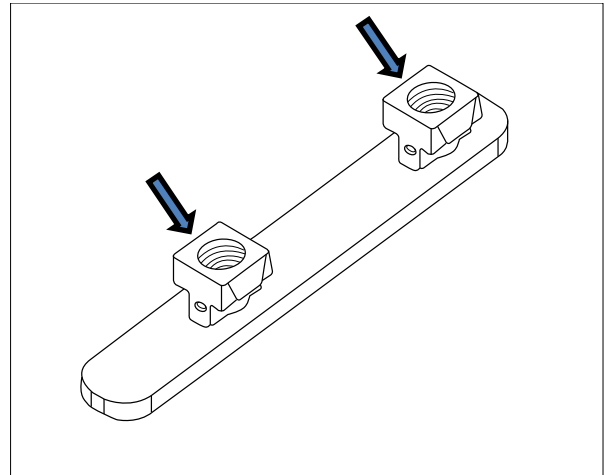
PLEASE ENSURE THAT ALL INSTRUCTIONS ARE UNDERSTOOD PRIOR TO FITMENT

PLACE THESE INSTRUCTIONS IN THE VEHICLE'S GLOVEBOX AFTER INSTALLATION IS COMPLETED

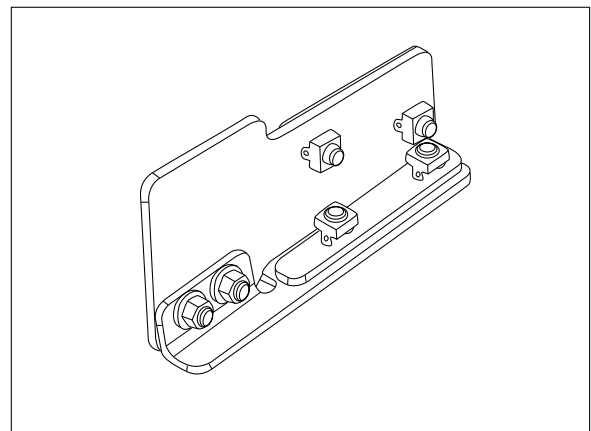
7. Place Towbar inside chassis rails. Loosely secure Towbar to side of chassis rail with two M12 x 35 Set Screws, one Washer plate and two flat washers provided on both sides. Repeat for opposite side of the vehicle.



8. Install cage nuts onto 2 off chassis rail plates in the profiled holes.



9. Slide Chassis rail plates into Chassis rail and loosely secure Chassis rail Bracket to underside of Chassis rail with two M12 x 35 Set Screws and two flat Washers. Repeat for opposite side of the vehicle.



HAYMAN REESE

PART No: 03085RW

FIAT FREEMONT / DODGE JOURNEY 2008 ON

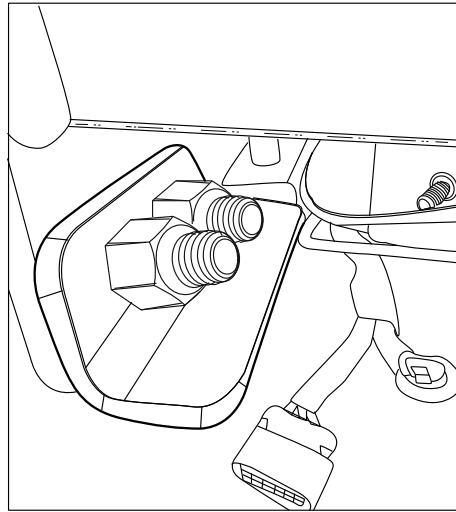
INSTALLATION INSTRUCTIONS

PLEASE ENSURE THAT ALL INSTRUCTIONS ARE UNDERSTOOD PRIOR TO FITMENT

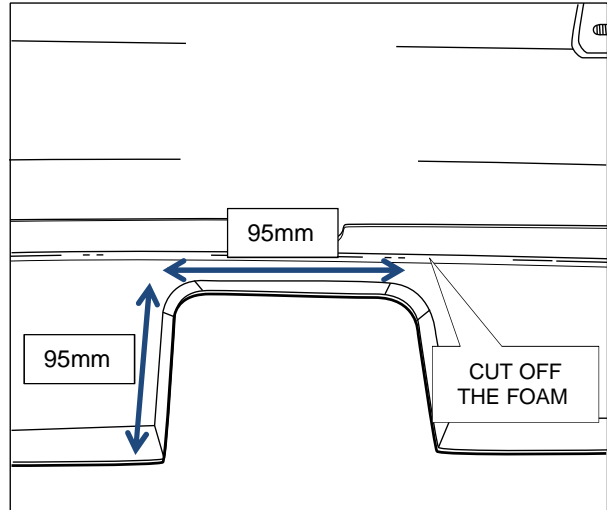
PLACE THESE INSTRUCTIONS IN THE VEHICLES'S GLOVEBOX AFTER INSTALLATION IS COMPLETED

10. Loosely bolt together side arm to chassis rail bracket with two M12 x 35 Set Screws and four flat Washers and two M12 Nuts. Repeat for opposite side of vehicle

Finger tighten chassis rail Set Screws, followed by tightening the Chassis rail Set Screws to the specified torque.

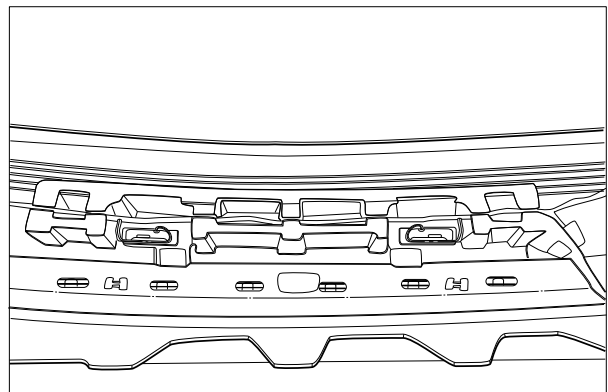


11. Establish centre point of the Bumper skin; cut 95 x 95mm section for the bottom edge of the Bumper skin.



12. Trim polystyrene back by 10mm, or as required to provide clearance to Towbar cross tube.

Refit Bumper skin by following steps 1-5 in reverse order.



HAYMAN REESE
PART No: 100148-WL
FIAT FREEMONT

INSTALLATION INSTRUCTIONS

PLEASE ENSURE THAT INSTRUCTIONS ARE UNDERSTOOD PRIOR TO FITMENT

Wiring Loom Installation Instructions

FIAT FREEMONT

Part No: 100148-WL

Tail Harness Length Required: 1800mm

- Fiat Freemont vehicles only, if vehicle utilises LED trailer lights and/or exceeds 5Amps, ensure to use harness 04916.

Wiring Loom Installation Time: Approx. 45 minutes

Issue Date 05-03-15

Page 1

Part No: 100148-WL

Hayman Reese (Cequent)
PO Box 4050, Dandenong South VIC 3164
Phone 1800 812 017 Email info@haymanreese.com.au



HAYMAN REESE
PART No: 100148-WL
FIAT FREEMONT

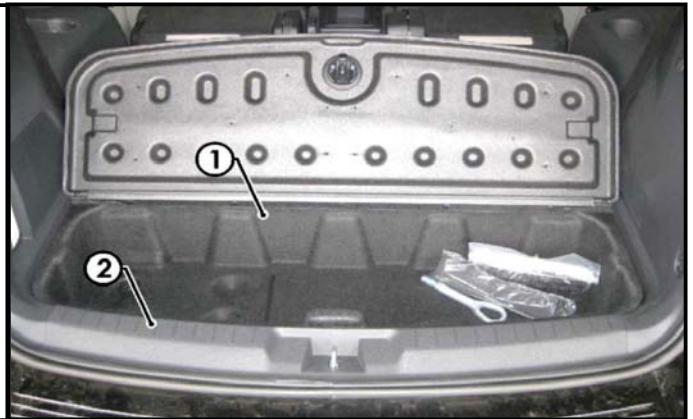
INSTALLATION INSTRUCTIONS

PLEASE ENSURE THAT INSTRUCTIONS ARE UNDERSTOOD PRIOR TO FITMENT

1. At the rear of the vehicle, remove the LHS tail light assembly fasteners and then remove the LHS tail light assembly (1).



2. Remove the rear passenger tool tray fasteners and then remove the tool tray (1).
3. Remove the luggage compartment rear trim (2).



4. Remove the luggage compartment rear upper trim (1).



Issue Date 05-03-15

Page 2

Part No: 100148-WL

Hayman Reese (Cequent)
PO Box 4050, Dandenong South VIC 3164
Phone 1800 812 017 Email info@haymanreese.com.au

HAYMAN REESE

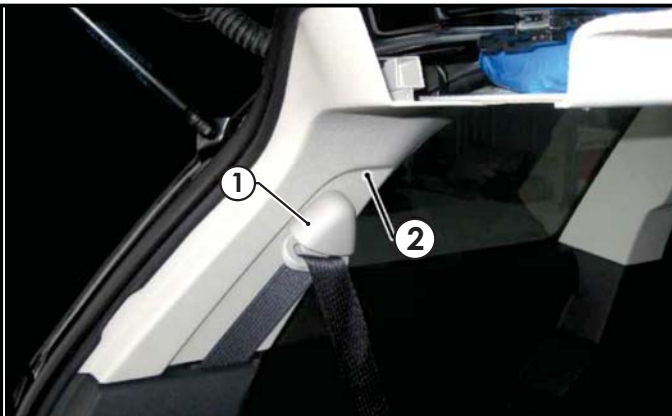
PART No: 100148-WL

FIAT FREEMONT

INSTALLATION INSTRUCTIONS

PLEASE ENSURE THAT INSTRUCTIONS ARE UNDERSTOOD PRIOR TO FITMENT

5. Remove the luggage compartment LHS 'D' pillar trim seatbelt cap and fastener.
6. Remove the 'D' pillar trim (1).



7. Remove the LHS luggage compartment trim fasteners. Remove the LHS trim (1).

Repeat for the RHS trim.



8. Remove the LHS rear passenger's door sill trim (1).

Repeat for the RHS trim.



Issue Date 05-03-15

Page 3

Part No: 100148-WL

Hayman Reese (Cequent)

PO Box 4050, Dandenong South VIC 3164

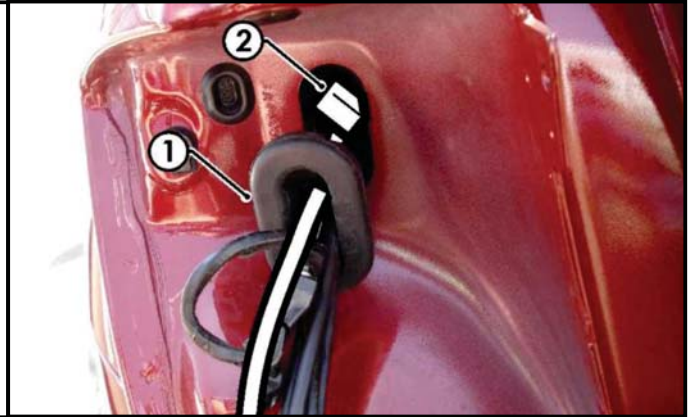
Phone 1800 812 017 Email info@haymanreese.com.au

HAYMAN REESE
PART No: 100148-WL
FIAT FREEMONT

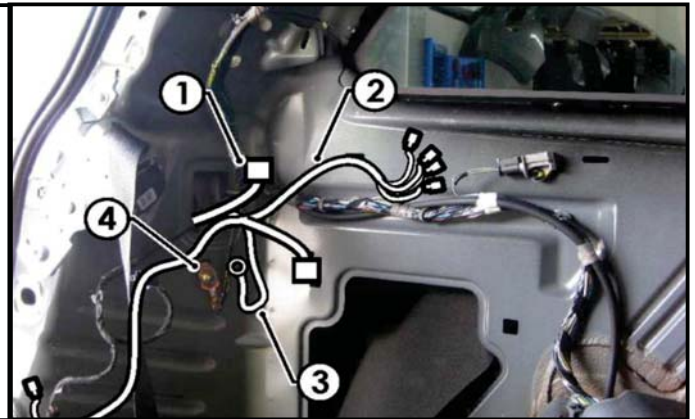
INSTALLATION INSTRUCTIONS

PLEASE ENSURE THAT INSTRUCTIONS ARE UNDERSTOOD PRIOR TO FITMENT

9. At the LHS tail light area, dislodge the indicated grommet (1).
10. Cut into the grommet, ensuring the cut is large enough to feed in the Tail Harness (tail length 1800mm) connector (2).



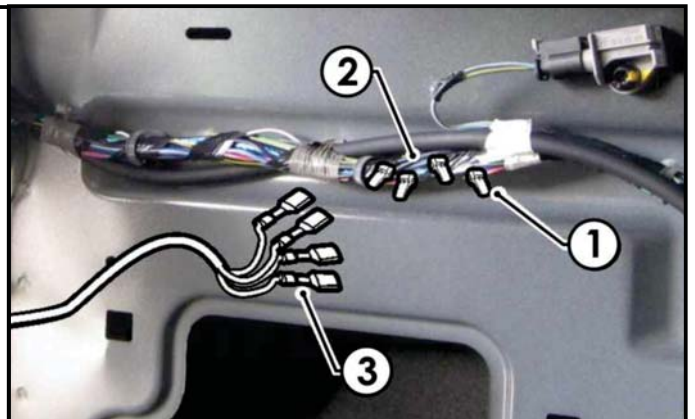
11. Retrieve the Tail Harness (1) from the tail light cavity area. Secure the Trailer Patch Harness (P/No: 100148-WL) (2) ground ring terminal (3) to the vehicle grounding point (4).



12. Secure the scotch locks (1) to the vehicle harness wires (2) and then connect the Trailer Patch Harness terminals (3) to the corresponding wire colours as indicated on the table below:

Function	Trailer Patch	Vehicle Connector
L.IND	YELLOW	WHITE / GREEN*
REVERSE	BLACK	BLACK / PURPLE
TAIL	BROWN	WHITE / PURPLE
BRAKES	RED	GREEN / WHITE

***Do not mistake for WHITE/LIGHT GREEN*. Use a multi-meter to confirm the correct signal.**



Issue Date 05-03-15

Page 4

Part No: 100148-WL

Hayman Reese (Cequent)
 PO Box 4050, Dandenong South VIC 3164
 Phone 1800 812 017 Email info@haymanreese.com.au

www.haymanreese.com.au



HAYMAN REESE

PART No: 100148-WL

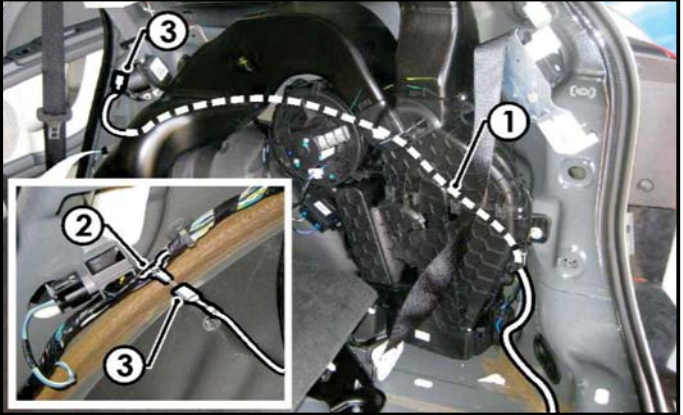
FIAT FREEMONT

INSTALLATION INSTRUCTIONS

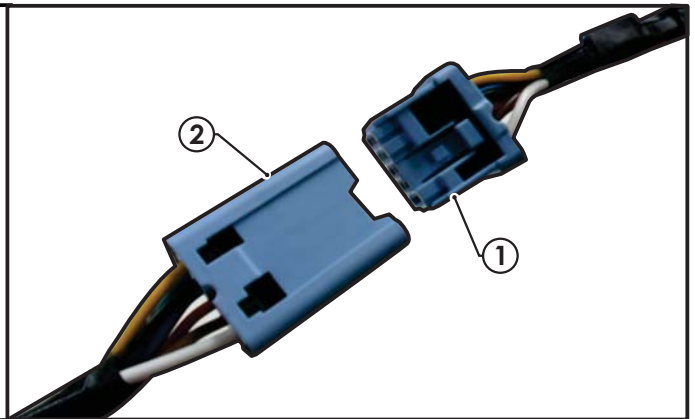
PLEASE ENSURE THAT INSTRUCTIONS ARE UNDERSTOOD PRIOR TO FITMENT

13. Route the Trailer Patch Harness GREEN wire (1) across the rear of the vehicle behind the vents, towards the RHS passenger 'C' pillar.
14. Locate the vehicle harness wires above the RHS wheel arch and scotch lock the 'WHITE/YELLOW' vehicle wire (2).
15. Connect the Trailer Patch Harness terminal (3) to the scotch lock by referring to the table below:

Function	Trailer Patch	Vehicle Connector
R.IND	GREEN	WHITE / YELLOW



16. On the outside of the vehicle, mount the tail harness (tail length 1800mm) socket to the towbar mounting bracket using M4 fasteners (not supplied). Secure the harness with cable ties.
17. In the LHS rear quarter luggage compartment area, connect the Tail Harness 8-way male connector (1) to the Trailer Patch Harness 8-way female connector (2).



18. Test the Trailer Harness function using a Light Board or multi-meter.
19. Secure all Harnesses using cables ties.
20. Re-fit all removed parts and secure all fasteners.
21. Place the instructions in the glove box after fitment.

Issue Date 05-03-15

Page 5

Part No: 100148-WL

Hayman Reese (Cequent)

PO Box 4050, Dandenong South VIC 3164

Phone 1800 812 017 Email info@haymanreese.com.au

HAYMAN REESE
PART No: 100148-WL
DODGE JOURNEY

INSTALLATION INSTRUCTIONS

PLEASE ENSURE THAT INSTRUCTIONS ARE UNDERSTOOD PRIOR TO FITMENT

Wiring Loom Installation Instructions

DODGE JOURNEY

Part No: 100148-WL

Tail Harness Length Required: 1800mm

Wiring Loom Installation Time: Approx. 45 minutes

Issue Date 05-03-15

Page 1

Part No: 100148-WL

Hayman Reese (Cequent)
PO Box 4050, Dandenong South VIC 3164
Phone 1800 812 017 Email info@haymanreese.com.au

www.haymanreese.com.au



HAYMAN REESE
PART No: 100148-WL
DODGE JOURNEY

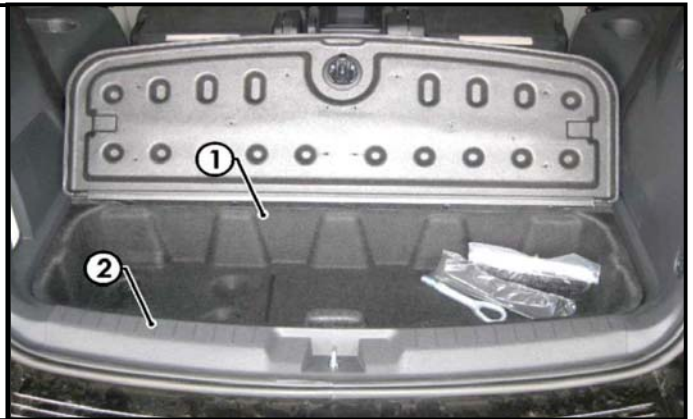
INSTALLATION INSTRUCTIONS

PLEASE ENSURE THAT INSTRUCTIONS ARE UNDERSTOOD PRIOR TO FITMENT

1. At the rear of the vehicle, remove the LHS tail light assembly fasteners and then remove the LHS tail light assembly (1).



2. Remove the rear passenger tool tray fasteners and then remove the tool tray (1).
3. Remove the luggage compartment rear trim (2).



4. Remove the luggage compartment rear upper trim (1).



Issue Date 05-03-15

Page 2

Part No: 100148-WL

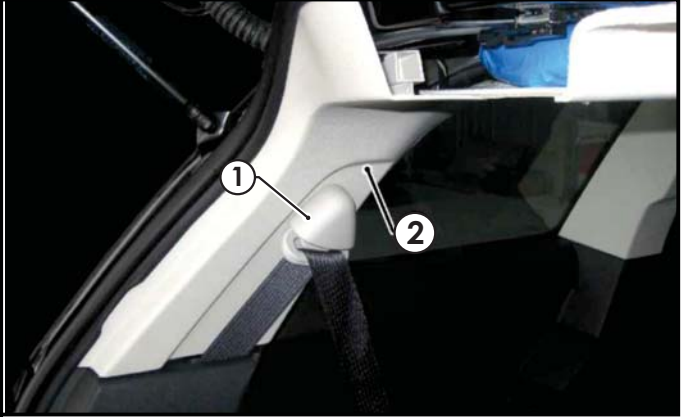
Hayman Reese (Cequent)
PO Box 4050, Dandenong South VIC 3164
Phone 1800 812 017 Email info@haymanreese.com.au

HAYMAN REESE
PART No: 100148-WL
DODGE JOURNEY

INSTALLATION INSTRUCTIONS

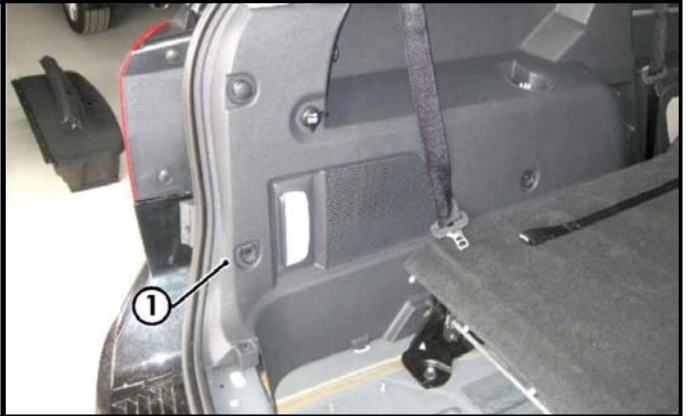
PLEASE ENSURE THAT INSTRUCTIONS ARE UNDERSTOOD PRIOR TO FITMENT

5. Remove the luggage compartment LHS 'D' pillar trim seatbelt cap and fastener.
6. Remove the 'D' pillar trim (1).



7. Remove the LHS luggage compartment trim fasteners. Remove the LHS trim (1).

Repeat for the RHS trim.



8. Remove the LHS rear passenger's door sill trim (1).

Repeat for the RHS trim.



Issue Date 05-03-15

Page 3

Part No: 100148-WL

Hayman Reese (Cequent)
PO Box 4050, Dandenong South VIC 3164
Phone 1800 812 017 Email info@haymanreese.com.au

www.haymanreese.com.au

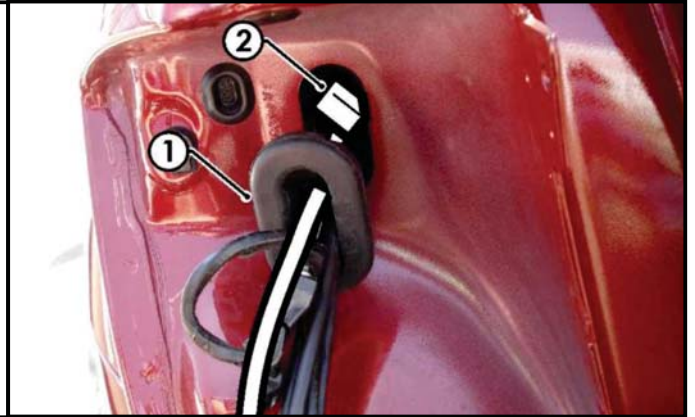


HAYMAN REESE
PART No: 100148-WL
DODGE JOURNEY

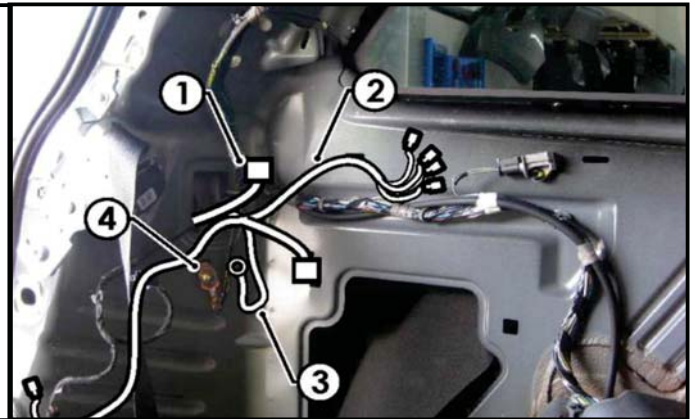
INSTALLATION INSTRUCTIONS

PLEASE ENSURE THAT INSTRUCTIONS ARE UNDERSTOOD PRIOR TO FITMENT

9. At the LHS tail light area, dislodge the indicated grommet (1).
10. Cut into the grommet, ensuring the cut is large enough to feed in the Tail Harness (tail length 1800mm) connector (2).



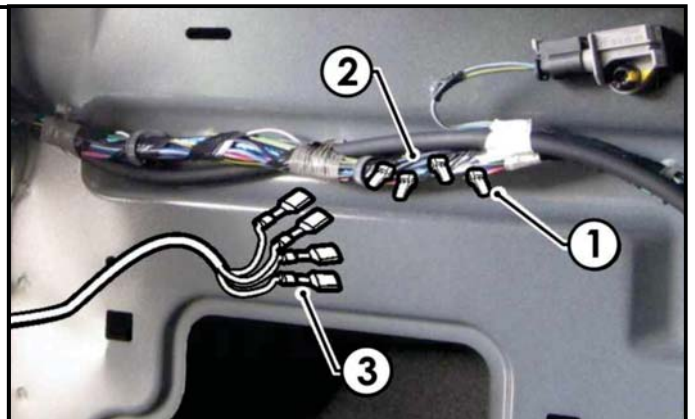
11. Retrieve the Tail Harness (1) from the tail light cavity area. Secure the Trailer Patch Harness (P/No: 100148-WL) (2) ground ring terminal (3) to the vehicle grounding point (4).



12. Secure the scotch locks (1) to the vehicle harness wires (2) and then connect the Trailer Patch Harness terminals (3) to the corresponding wire colours as indicated on the table below:

Function	Trailer Patch	Vehicle Connector
L.IND	YELLOW	WHITE / GREEN*
REVERSE	BLACK	BLACK / PURPLE
TAIL	BROWN	WHITE / PURPLE
BRAKES	RED	GREEN / WHITE

***Do not mistake for WHITE/LIGHT GREEN*. Use a multi-meter to confirm the correct signal.**



Issue Date 05-03-15

Page 4

Part No: 100148-WL

Hayman Reese (Cequent)
 PO Box 4050, Dandenong South VIC 3164
 Phone 1800 812 017 Email info@haymanreese.com.au

www.haymanreese.com.au



HAYMAN REESE

PART No: 100148-WL

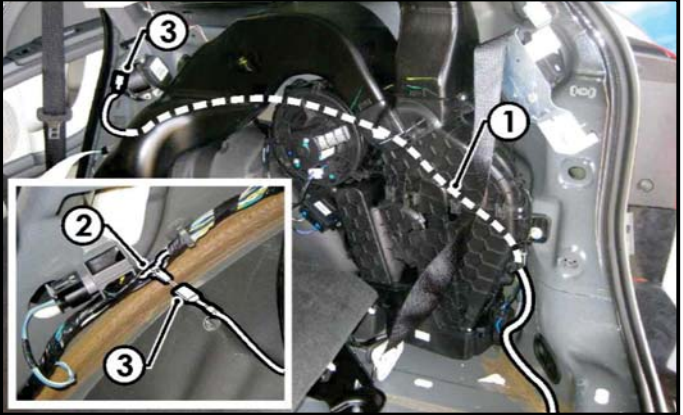
DODGE JOURNEY

INSTALLATION INSTRUCTIONS

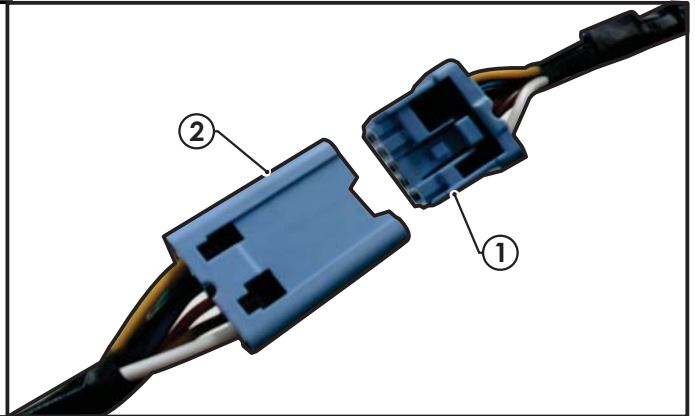
PLEASE ENSURE THAT INSTRUCTIONS ARE UNDERSTOOD PRIOR TO FITMENT

13. Route the Trailer Patch Harness GREEN wire (1) across the rear of the vehicle behind the vents, towards the RHS passenger 'C' pillar.
14. Locate the vehicle harness wires above the RHS wheel arch and scotch lock the 'WHITE/YELLOW' vehicle wire (2).
15. Connect the Trailer Patch Harness terminal (3) to the scotch lock by referring to the table below:

Function	Trailer Patch	Vehicle Connector
R.IND	GREEN	WHITE / YELLOW



16. On the outside of the vehicle, mount the tail harness (tail length 1800mm) socket to the towbar mounting bracket using M4 fasteners (not supplied). Secure the harness with cable ties.
17. In the LHS rear quarter luggage compartment area, connect the Tail Harness 8-way male connector (1) to the Trailer Patch Harness 8-way female connector (2).



18. Test the Trailer Harness function using a Light Board or multi-meter.
19. Secure all Harnesses using cables ties.
20. Re-fit all removed parts and secure all fasteners.
21. Place the instructions in the glove box after fitment.

Issue Date 05-03-15

Page 5

Part No: 100148-WL

Hayman Reese (Cequent)

PO Box 4050, Dandenong South VIC 3164

Phone 1800 812 017 Email info@haymanreese.com.au

www.haymanreese.com.au

