

HAYMAN REESE

PART No: 02955W

HYUNDAI i20 2012

INSTALLATION INSTRUCTIONS

PLEASE ENSURE THAT ALL INSTRUCTIONS ARE UNDERSTOOD PRIOR TO FITMENT
PLACE THESE INSTRUCTIONS IN THE VEHICLE'S GLOVEBOX AFTER INSTALLATION IS COMPLETE



Installation Time: Approx 60 Mins

Towbar Installation Instructions

Towbar capacity

HYUNDAI i20 2012

Part Number 02955W

Max Towing Braked

1000 kg

Max Static Ball Load

100 kg

Hayman Reese (Cequent)
PO Box 4050, Dandenong South VIC 3164
Phone 1800 812 017 Email info@haymanreese.com.au

HAYMAN REESE

PART No: 02955W

HYUNDAI i20 2012

INSTALLATION INSTRUCTIONS

PLEASE ENSURE THAT ALL INSTRUCTIONS ARE UNDERSTOOD PRIOR TO FITMENT
PLACE THESE INSTRUCTIONS IN THE VEHICLE'S GLOVEBOX AFTER INSTALLATION IS COMPLETE

Warning:

1. Do not, drill, cut, weld or otherwise modify the towbar.
2. If you are using electric welding on a motor vehicle, **always** check that the vehicle is not equipped with electronic engine or instrument management equipment. Failure to do so could **destroy** any onboard computers. If in doubt, check with the vehicle's manufacturer.

General:

1. Ensure all hardware items have been included refer to assembly diagram.
2. It is recommended that the instructions are read through and completely understood before making any attempt to fit this product.
3. Be wary of any changes to vehicle designs or other accessories that may conflict with the installation of this product.
4. Before drilling ensure that the area is clear of fuel, electrical & other components.
5. All holes drilled into the body panels shall have all burrs & swarf removed then coated with a suitable rust preventative paint.
6. The high tensile fasteners supplied with this product were used to achieve the specified rating. If replacement is required ensure that fasteners of the same rating & quality are used. Contact an authorised **Hayman Reese** dealer if further information is required.
7. Ensure that all hardware is fastened to torque list below check fasteners on regular basis.
8. Towbar load rating sticker provided with this product shall be conspicuously located on inside rear end of the driver's door. **(See diagram below).**
9. Hayman Reese recommends that you check your tow ball to ensure that it complies with the Australian standards **AS 4177.2**.
10. **PLEASE NOTE:** It is advised to remove your lug or tbn when not actually towing so as to produce a clear view of the vehicles registration plate if obscured, and to also provide maximum available departure angle.
11. Pull Pin must be fit in down position.

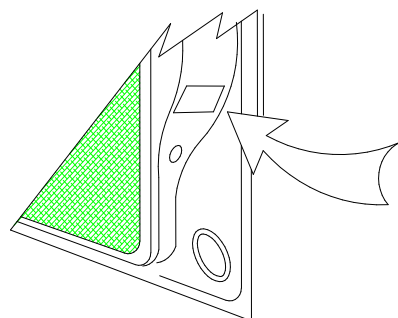
Tow bar Maintenance and Care.

Hayman Reese recommends that bolt torque's, as listed below, are routinely and regularly inspected and checked for correct tension. Replace any worn or defective parts.

We recommended to remove Tow Ball Mounts (TBM's, tongues or lugs) when not being used for any considerable length of time.

So as to avoid injury, when not towing it is suggested that the tongue, Pull Pin and R-clip are removed then stored in a safe, clean and dry place, away from excessive moisture.

Hitch Pull Pins and spring "R" clips are regularly checked for proper installation. Replace any worn or defective parts.



Place load rating sticker
inside driver's door here

RECOMMENDED ASSEMBLY TORQUE LISTING

Diameter Grade 8.8 Bolt

M6	9.5 Nm
M8	21.7 Nm
M10	43.4 Nm
M12	77.3 Nm
M14	146 Nm
M16	189.8 Nm

FOR TOWING PURPOSES ONLY

For towing capacity details please refer to vehicle owner's manual or to the manufacturer. Overloading can void your warranties.

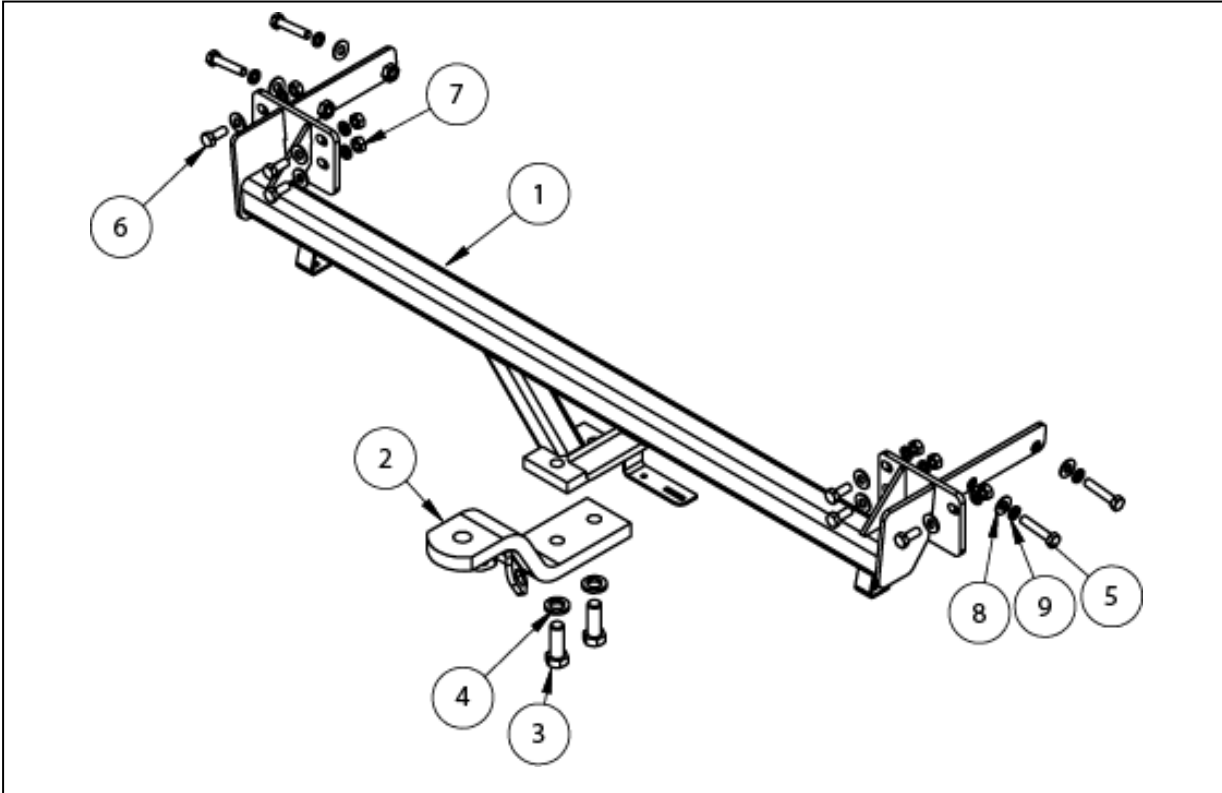
HAYMAN REESE

PART No: 02955W

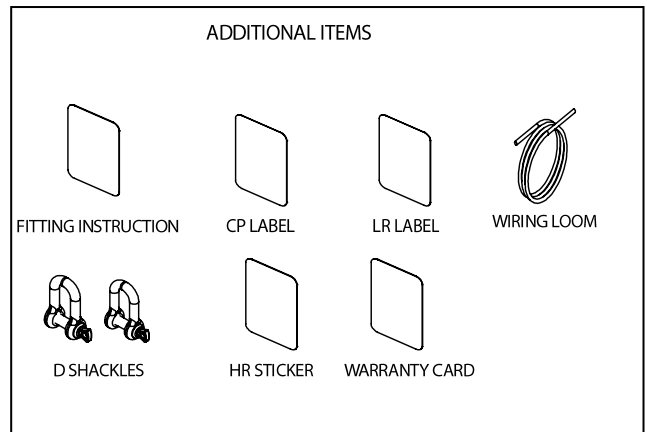
HYUNDAI i20 2012

INSTALLATION INSTRUCTIONS

PLEASE ENSURE THAT ALL INSTRUCTIONS ARE UNDERSTOOD PRIOR TO FITMENT
PLACE THESE INSTRUCTIONS IN THE VEHICLE'S GLOVEBOX AFTER INSTALLATION IS COMPLETE



QTY	DESCRIPTION	ITEM NO
1	WELDED ASSEMBLY	1
1	WELDED LUG ASSEMBLY	2
2	M16 x45 2.0P BOLT	3
2	M16x5x3.5 SPRING WASHER	4
4	BOLT M10x1.5x50	5
6	BOLT M10-1.50x25	6
6	NUT HX M10-1.5 Z/P	7
10	WASHER FLAT M10x23x2 Z/P	8
10	M10x3.5x2.2 SPRING WASHER	9



HAYMAN REESE

PART No: 02955W

HYUNDAI i20 2012

INSTALLATION INSTRUCTIONS

PLEASE ENSURE THAT ALL INSTRUCTIONS ARE UNDERSTOOD PRIOR TO FITMENT

PLACE THESE INSTRUCTIONS IN THE VEHICLE'S GLOVEBOX AFTER INSTALLATION IS COMPLETE

Note: Position the vehicle to a safe working height.

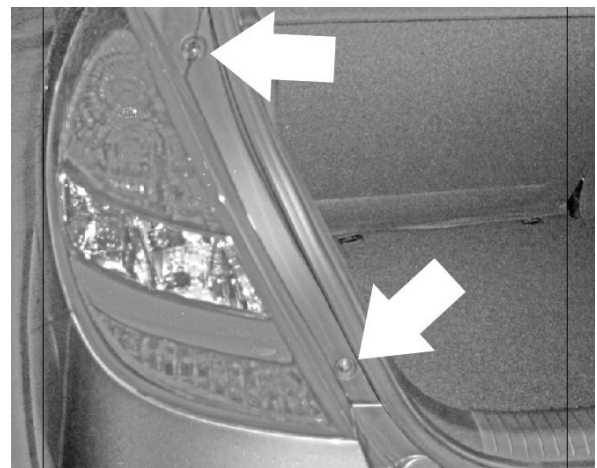
1. Remove 9 Scrivets, 3 from the centre, 3 from right hand side and 3 from left hand side, from the Underneath the Vehicle (Bumper).



2. Remove 2 Scrivets and 1 Screw from the side wheel Arch. Passenger side is shown in the picture, Repeat the step for other side.



3. Remove 2 Screws and remove the light. Detach 4 Bulbs before removing the light. Passenger side is shown in the picture, repeat the step for other side.



HAYMAN REESE

PART No: 02955W

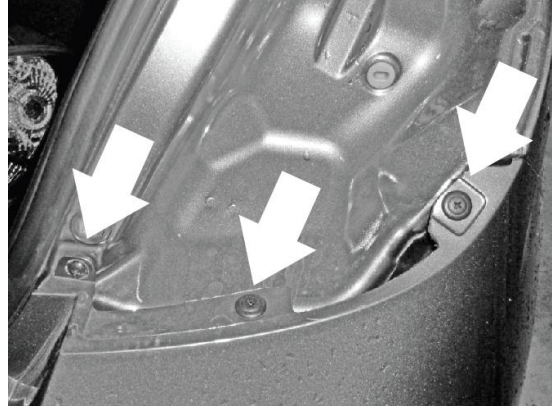
HYUNDAI i20 2012

INSTALLATION INSTRUCTIONS

PLEASE ENSURE THAT ALL INSTRUCTIONS ARE UNDERSTOOD PRIOR TO FITMENT

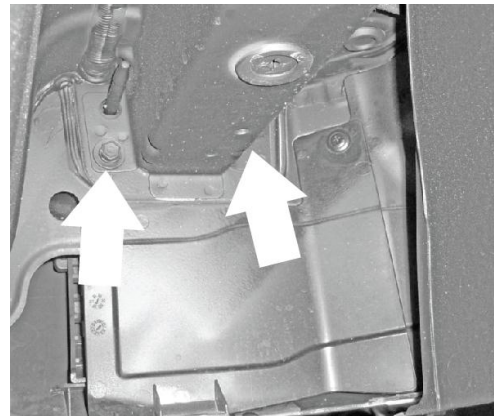
PLACE THESE INSTRUCTINS IN THE VEHICLES'S GLOVEBOX AFTER INSTALLANTION IS COMPLETE

4. Remove 2 Scrivets and 1 Screw from inside the light. Passenger side is shown in the Picture, repeat the step for other side.



5.
a. Remove 2 Bolts holding the Impact Beam from inside, next to the chassis Rail .Driver side is shown, repeat the step for other side.
b. Flex the Bumper Out , and remove carefully .

Note: Impact Beam Bolts are removed ,so that the Impact Beam comes out with the Bumper .



6. Remove 2 Scrivets from top and bottom tabs, to remove the Impact Beam, with the tabs. Repeat the step on the other side.



HAYMAN REESE

PART No: 02955W

HYUNDAI i20 2012

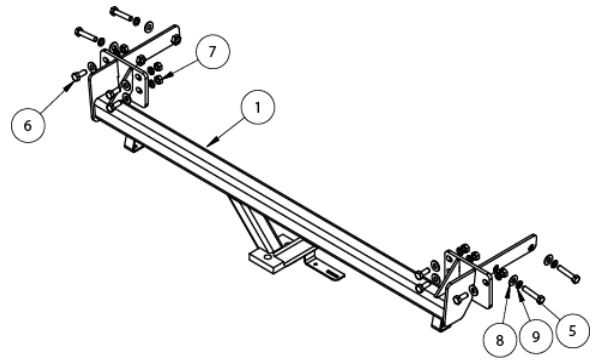
INSTALLATION INSTRUCTIONS

PLEASE ENSURE THAT ALL INSTRUCTIONS ARE UNDERSTOOD PRIOR TO FITMENT

PLACE THESE INSTRUCTIONS IN THE VEHICLE'S GLOVEBOX AFTER INSTALLATION IS COMPLETE

7.

- a. Locate the Towbar on the Vehicle. Locate the Chassis rail holes and fit loosely 2 M10 Bolts (50mm), 2 Spring Washers, and 2 Flat washers (item 5, 9 & 8) on both Driver side and Passenger Side.
- b. Fit 3 M10 Bolts (25mm), 3 Flat Washers, 3 Spring Washers and 3 M10 Nut on the back panel.



8. Torque the Bolts to the Torque requirements as shown on Page2.
9. Fit the Bumper back in reverse order.
10. Ignore additional tabs on Towbar cross tube which are suited for Pre -2012 variants.
11. Fit the lights in the reverse order.
12. Affix the Load Rating Label.

HAYMAN REESE
PART No: 100849-WL
HYUNDAI i20 (06/2012 - Onwards)

INSTALLATION INSTRUCTIONS

PLEASE ENSURE THAT INSTRUCTIONS ARE UNDERSTOOD PRIOR TO FITMENT

Wiring Loom Installation Instructions

HYUNDAI i20 (06/2012 - Onwards)

Part No: 100849-WL
ECU Required: 04826

Tail Harness Length Required: 1200mm

Wiring Loom Installation Time: Approx. 20 minutes

Issue Date 24-09-12

Page 1

Part No: 100849-WL

Hayman Reese (Cequent)
PO Box 4050, Dandenong South VIC 3164
Phone 1800 812 017 Email info@haymanreese.com.au

www.haymanreese.com.au

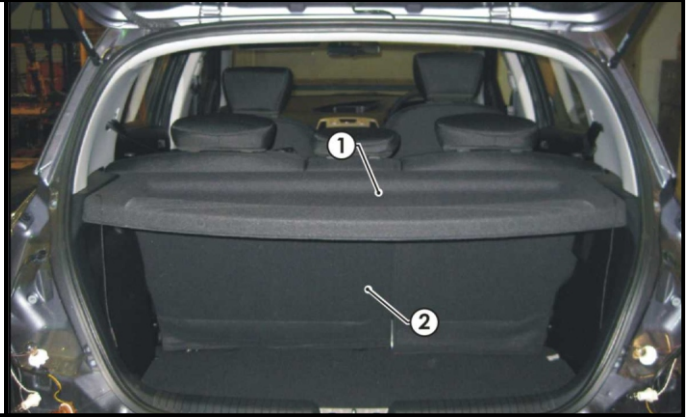


HAYMAN REESE
PART No: 100849-WL
HYUNDAI i20 (06/2012 - Onwards)

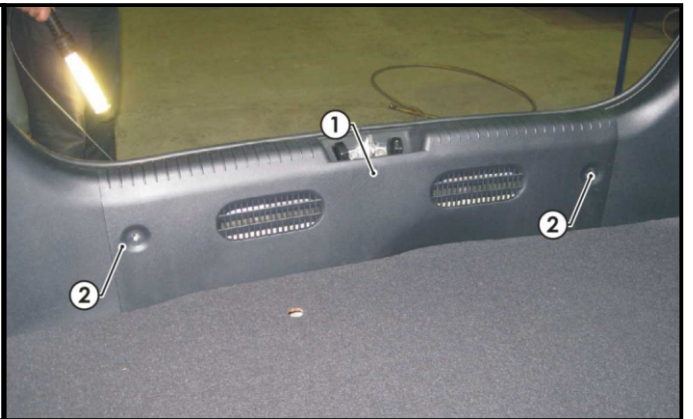
INSTALLATION INSTRUCTIONS

PLEASE ENSURE THAT INSTRUCTIONS ARE UNDERSTOOD PRIOR TO FITMENT

1. In the luggage compartment, remove the parcel shelf (1).
2. Fold the rear seats (2) forward.



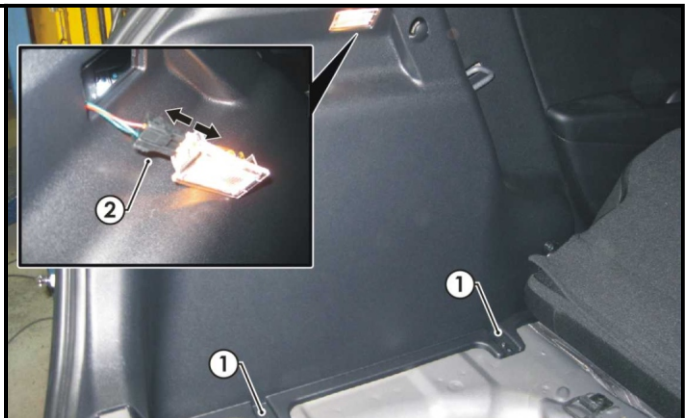
3. Remove the luggage compartment rear trim (1) by first removing the two clips (2).



4. On the luggage compartment LHS side trim, remove the two Phillips head screws (1).

Repeat for the RHS.

5. Dislodge the LHS trim panel light and disconnect the trim panel light connector (2).



Issue Date 24-09-12

Page 2

Part No: 100849-WL

Hayman Reese (Cequent)
PO Box 4050, Dandenong South VIC 3164
Phone 1800 812 017 Email info@haymanreese.com.au

www.haymanreese.com.au



HAYMAN REESE
PART No: 100849-WL
HYUNDAI i20 (06/2012 - Onwards)

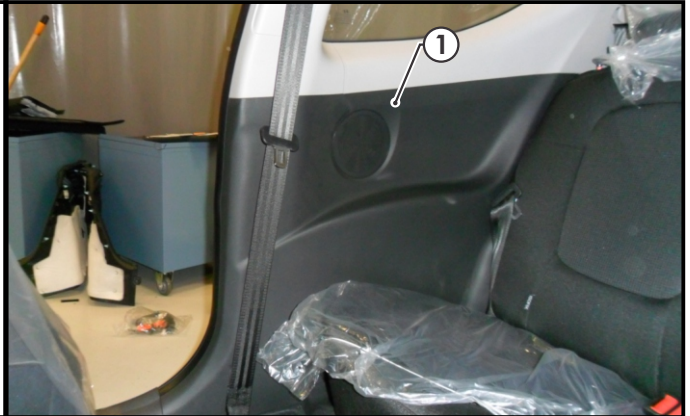
INSTALLATION INSTRUCTIONS

PLEASE ENSURE THAT INSTRUCTIONS ARE UNDERSTOOD PRIOR TO FITMENT

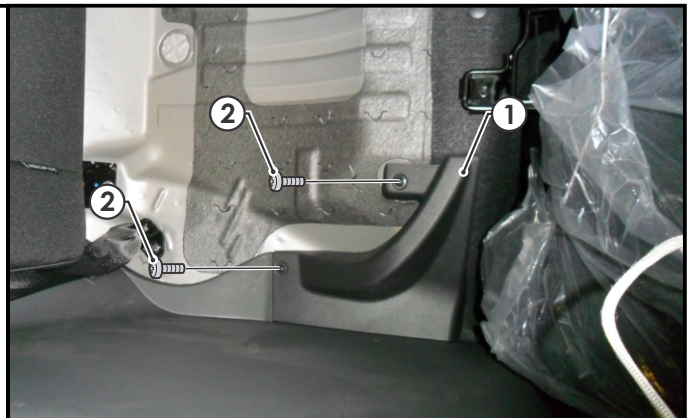
6. Inside the vehicle, remove the RHS lower rear passenger seat base (1) by pulling towards the front in an upwards direction.



7. Using a trim removal tool, dislodge the rear passenger RHS 'C' pillar trim (1).



8. Remove the RHS seat trim (1) by first removing the two fasteners (2).



Issue Date 24-09-12

Page 3

Part No: 100849-WL

Hayman Reese (Cequent)
PO Box 4050, Dandenong South VIC 3164
Phone 1800 812 017 Email info@haymanreese.com.au

www.haymanreese.com.au



HAYMAN REESE
PART No: 100849-WL
HYUNDAI i20 (06/2012 - Onwards)

INSTALLATION INSTRUCTIONS

PLEASE ENSURE THAT INSTRUCTIONS ARE UNDERSTOOD PRIOR TO FITMENT

9. Remove the driver's door scuff plate (1).



10. In the driver's footwell, remove the bonnet release lever (1) by first removing the fastener (2).
11. Dislodge the kick panel trim (3).



12. Remove the lower dash board trim (1) to gain access to the fuse panel.



Issue Date 24-09-12

Page 4

Part No: 100849-WL

Hayman Reese (Cequent)
PO Box 4050, Dandenong South VIC 3164
Phone 1800 812 017 Email info@haymanreese.com.au

www.haymanreese.com.au



HAYMAN REESE
PART No: 100849-WL
HYUNDAI i20 (06/2012 - Onwards)

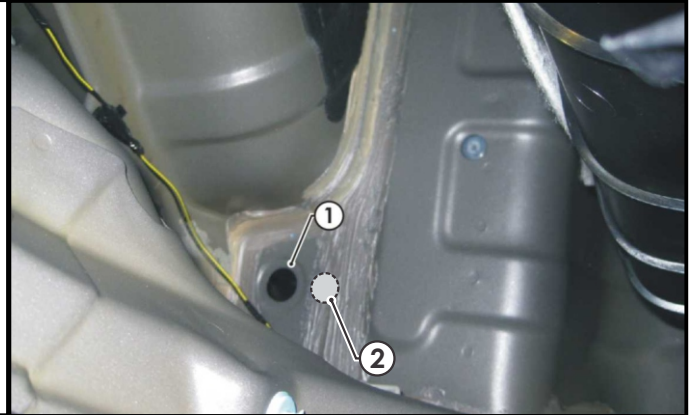
INSTALLATION INSTRUCTIONS

PLEASE ENSURE THAT INSTRUCTIONS ARE UNDERSTOOD PRIOR TO FITMENT

13. In the LHS rear quarter corner, remove the vehicle blanking grommet (1) and drill out the hole to Ø30mm.

14. File any rough or sharp edges and spray on rust inhibitor.

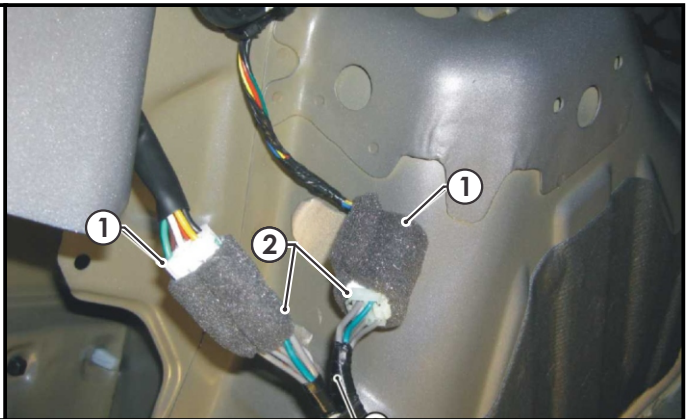
Note: If grommet is occupied, drill a Ø30mm (2) in the location shown.



15. Dislodge the LHS luggage compartment trim, enough to expose the LHS tail light connectors.

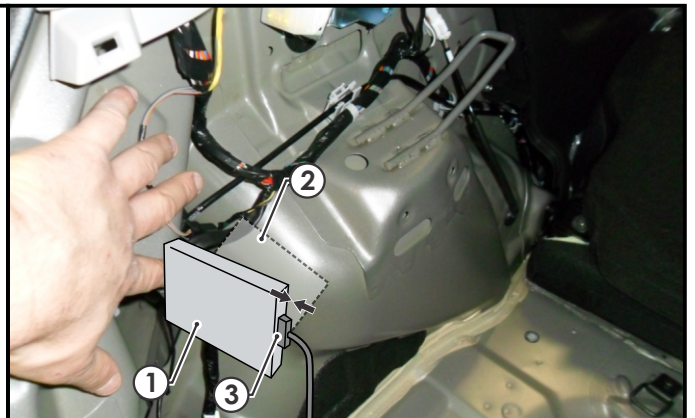
16. Disconnect the tail light connectors.

17. Connect the trailer harness patch connectors (2) between the tail light assembly connectors (1).



18. Apply double sided tape to the ECU (04826) (1) and adhere it to the vehicle sheet metal (2) on the LHS of the luggage compartment.

19. Connect the trailer patch 12-way connector (3) to the ECU (1).



Issue Date 24-09-12

Page 5

Part No: 100849-WL

Hayman Reese (Cequent)
PO Box 4050, Dandenong South VIC 3164
Phone 1800 812 017 Email info@haymanreese.com.au

www.haymanreese.com.au

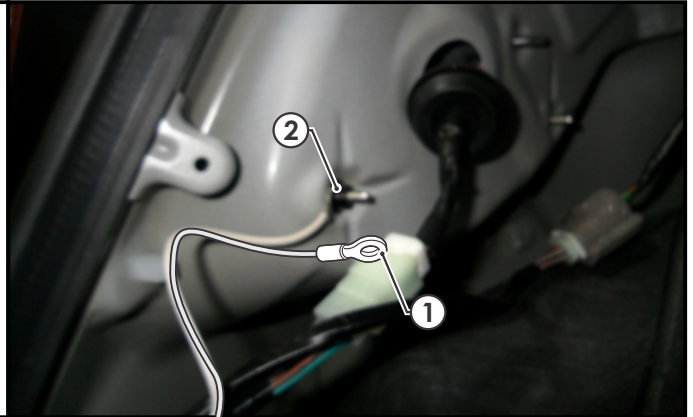


HAYMAN REESE
PART No: 100849-WL
HYUNDAI i20 (06/2012 - Onwards)

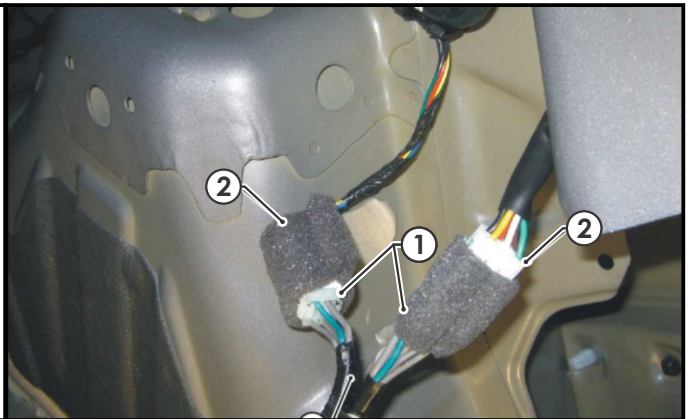
INSTALLATION INSTRUCTIONS

PLEASE ENSURE THAT INSTRUCTIONS ARE UNDERSTOOD PRIOR TO FITMENT

20. Connect the trailer patch ground ring terminal (1) to the vehicle grounding point (2).



21. Route the trailer harness across the rear of the luggage compartment toward the RHS of the vehicle.
22. Dislodge the RHS side trim enough to expose the RHS tail light connectors.
23. Disconnect the tail light connectors.
24. Connect the trailer harness patch connectors (1) between the tail light assembly connectors (2).



25. Route the 'ORANGE' power wire (1) along the existing vehicle harness towards the front of the vehicle.



Issue Date 24-09-12

Page 6

Part No: 100849-WL

Hayman Reese (Cequent)
PO Box 4050, Dandenong South VIC 3164
Phone 1800 812 017 Email info@haymanreese.com.au

www.haymanreese.com.au

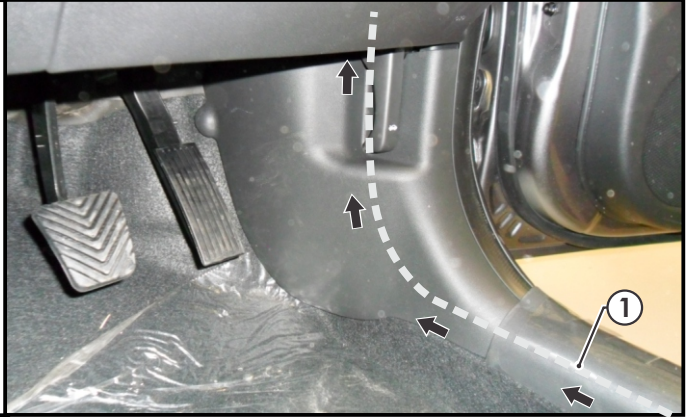


HAYMAN REESE
PART No: 100849-WL
HYUNDAI i20 (06/2012 - Onwards)

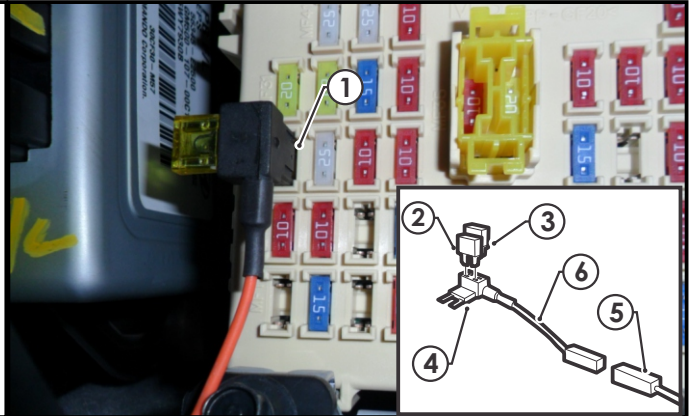
INSTALLATION INSTRUCTIONS

PLEASE ENSURE THAT INSTRUCTIONS ARE UNDERSTOOD PRIOR TO FITMENT

26. Route the 'ORANGE' power wire (1) along the existing vehicle harness towards the fuse panel.



27. Inside the fuse panel, locate & remove the 15-amp fuse from the location shown (1).
28. Insert the supplied 15-amp (2) & 30-amp fuses (3) into the add-a-fuse (4).
29. Plug the add-a-fuse (4) into the previously removed 15-amp fuse (1) slot.
30. Connect the power patch 1-way connector (5) into the add-a-fuse harness mating connector (6).



31. Mount the trailer socket (1) to the tow bar mounting bracket using M4 fasteners (not supplied).
32. Route the tail harness (2) across the tow bar towards the LHS of the vehicle and up through the previously drilled out hole.
33. Ensure the tail harness grommet is seated correctly and secure in place using a cable tie (not supplied).



Issue Date 24-09-12

Page 7

Part No: 100849-WL

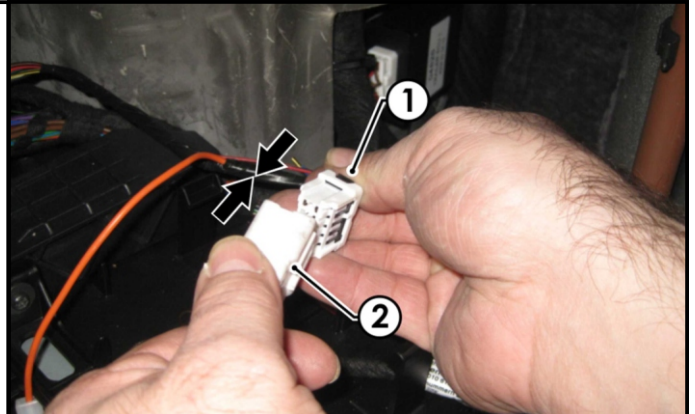
Hayman Reese (Cequent)
PO Box 4050, Dandenong South VIC 3164
Phone 1800 812 017 Email info@haymanreese.com.au

HAYMAN REESE
PART No: 100849-WL
HYUNDAI i20 (06/2012 - Onwards)

INSTALLATION INSTRUCTIONS

PLEASE ENSURE THAT INSTRUCTIONS ARE UNDERSTOOD PRIOR TO FITMENT

- 34.** Connect the tail harness (tail length 1200mm) 8-way connector (1) to the trailer patch mating 8-way connector (2).



- 35.** Test the trailer patch function using a light board or multi meter.
- 36.** Secure all harnesses using cable ties (not supplied).
- 37.** Re-fit all removed parts and secure all fasteners, ensuring there are no squeaks or rattles.
- 38.** Place the fitting instructions in the glove box after fitment.

Issue Date 24-09-12

Page 8

Part No: 100849-WL

Hayman Reese (Cequent)
PO Box 4050, Dandenong South VIC 3164
Phone 1800 812 017 Email info@haymanreese.com.au

www.haymanreese.com.au

